

# LUCAS

## SWITCHES

SECTION

Q

### CONTENTS

	<i>Page</i>		<i>Page</i>
<b>LIGHTING AND DIRECTION INDICATOR SWITCHES</b>		<b>IGNITION AND STARTING SWITCHES</b>	
Bonnet light .. .. .	Q5	Choke heater .. .. .	Q24-25
Boot light .. .. .	Q5-11	Choke heater warning light .. .. .	Q24-25
Cab light .. .. .	Q5	Ignition .. .. .	Q24-25
Courtesy light .. .. .	Q7	Ignition and lighting .. .. .	Q24-25
Dipper .. .. .	Q5-9	Ignition and starting .. .. .	Q24-25
Door light .. .. .	Q5-9	Solenoid operating .. .. .	Q24-25
Driving lamp .. .. .	Q9	Starting heater or plug .. .. .	Q24
Flasher .. .. .	Q5-11	Starting motor .. .. .	Q25
Flasher and horn push .. .. .	Q7-9	Starting motor solenoid .. .. .	Q26
Foglamp .. .. .	Q5-11	Thermostart .. .. .	Q38
Headlamp .. .. .	Q5-11		
Interior light .. .. .	Q5-11	<b>GENERAL-PURPOSE SWITCHES</b>	
Lighting .. .. .	Q5-11	Air conditioning .. .. .	Q30
Lighting and dipper .. .. .	Q5-11	Battery master or main .. .. .	Q31
Lighting, flasher and horn push .. .. .	Q9	Brake booster warning light .. .. .	Q31
Lighting and horn push .. .. .	Q7-11	Change-over, trailer .. .. .	Q30
Lighting and ignition or main .. .. .	Q5-11	Demister .. .. .	Q31
Map/Reading light .. .. .	Q5-11	Demister and air valve .. .. .	Q30
Mercury (boot or rear door) .. .. .	Q5 & 9	Demister and dimmer .. .. .	Q31
Panel light (and rheostat) .. .. .	Q5-11	Handbrake .. .. .	Q30
Pillar light .. .. .	Q5-9	Heater or fan .. .. .	Q30-31
Reverse lamp .. .. .	Q5-9	Heater and demister .. .. .	Q30
Reverse lamp and starting inhibitor .. .. .	Q5-9	Heater and interior light .. .. .	Q30
Roof light .. .. .	Q5-11	Horn (Lotus VII Series 2 only) .. .. .	Q31
Step light .. .. .	Q5	Hydraulic suspension damper solenoid .. .. .	Q31
Stop lamp .. .. .	Q5-11	Isolator .. .. .	Q30
Trafficator .. .. .	Q5-11	Screenjet .. .. .	Q30-31
Trafficator and horn push .. .. .	Q7-9	Trailer security .. .. .	Q30
Trafficator interrupter .. .. .	Q5	Window lift .. .. .	Q30
		Windshield wiper .. .. .	Q30-31
		Windshield wiper and screenjet .. .. .	Q30-31
<b>FUEL AND OIL SWITCHES</b>		<b>SUNDRY ITEMS OF SWITCHGEAR</b>	
Main pump .. .. .	Q20-21	Adaptor, starter switch; caps; couplings; escutcheon plates; housing, flasher switch; plunger guards; rubber boots and cushions; springs, stop lamp; striker plate, flasher switch; terminal cover, starting switch .. .. .	Q26
Petrol and/or oil level .. .. .	Q20-21		
Petrol door or lid .. .. .	Q20-21		
Petrol/Oil change-over .. .. .	Q20-21		
Petrol pump .. .. .	Q20-21		
Petrol reserve .. .. .	Q20-21		
<b>PETROL RESERVE VALVES .. .. .</b>			
	Q36		
<b>STANDARDISATION OF PLC SWITCHES .. .. .</b>			
	Q22-23		
<b>C.A.V. SWITCHGEAR</b>			
Battery cut-off, Series-parallel, Starting Push and Heater Switches and Thermostart .. .. .			
			Q38



# SWITCHES

## INDEX

Part No.	Model	Page	Illustration Page	Part No.	Model	Page	Illustration Page	Part No.	Model	Page	Illustration Page
31001	MD6	Q5	Q4	31334	PS19	Q30	Q29	†31556	6SA	Q7	Q6
31044	S37	Q5	Q4	31339	PS6	Q30	Q29	31559	20SA	Q7	Q6
31056	S37	Q5	Q4	31344	S50	Q24	Q24	31561	SD84	Q7	Q6
31073	PS9	Q5	Q4	31346	SC81	Q5	Q4	31564	SD84	Q7	Q6
31082	HL2	Q5	Q4	31356	PS6	Q5	Q4	31565	SD84	Q7	Q6
31091	PPG1	Q5	Q4	31361	SS5	Q24	Q24	31567	PRS3	Q7	Q6
31093	39C	Q5	Q4	31363	SS5	Q20	Q21	31568	PRS3	Q7	Q6
31107	SS5	Q24	Q24	31369	PRS5	Q30	Q29	31570	PRS3	Q7	Q6
31113	PS16	Q5	Q4	†31375	BMS1	Q5	Q4	31571	18SA	Q7	Q6
31114	PPG2	Q5	Q4	31377	SS5	Q24	Q24	31578	30SA	Q30	Q29
31115	SS8	Q24	Q24	31379	TS82	Q5	Q4	31579	PRS7	Q20	Q21
31120	PS9	Q5	Q4	31382	55C	Q5	Q4	31581	PS7	Q30	—
31126	PPG1	Q5	Q4	†31384	22B	Q30	Q30	31593	S60	Q24	Q24
31127	SD84	Q5	Q4	31387	PRS5	Q5	Q4	31600	PS6	Q7	Q24
31140	10	Q5	Q4	31403	S45	Q24	Q24	31608	37SA	Q7	Q6
31141	SS5	Q24	Q24	†31404	94	Q5	Q4	31609	37SA	Q7	Q6
31144	39C	Q5	Q4	31416	PRS3	Q5	Q4	31611	TS82	Q7	Q4
31146	PS17	Q20	Q20	31419	PS7-2	Q30	Q29	31622	13SA	Q7	Q6
31150	SS5	Q24	Q24	31421	PRS3	Q5	Q4	31625	37SA	Q7	Q6
31153	SS8	Q24	Q24	†31422	22B	Q5	Q4	31630	37SA	Q7	Q6
31154	PS16	Q5	Q4	31423	SD87	Q5	Q4	31633	42SA	Q7	Q6
31158	PPG1	Q5	Q4	31425	PHS1	Q24	Q24	31637	S60	Q24	Q24
31161	10	Q5	Q4	31426	PRS7	Q5	Q4	31638	6SA	Q7	Q6
31173	PS9	Q5	Q4	31428	PRS7	Q5	Q4	31641	37SA	Q7	Q6
†31175	94	Q5	Q4	31429	PRS7	Q20	Q21	31644	PS5	Q20	Q21
†31177	95	Q5	Q4	31430	PRS7	Q30	Q30	†31645	BMS1	Q7	Q6
31183	PPG1	Q5	Q4	31434	PS7	Q5	Q4	31646	MS6	Q7	Q6
31187	SS5	Q24	Q24	31440	HL2	Q5	Q6	31650	49SA	Q30	Q29
31190	SD84	Q5	Q4	31444	PPG1	Q7	Q6	31655	PRS3	Q7	Q6
31192	PS15	Q5	Q4	31447	SS5	Q24	Q24	31662	10SA	Q7	Q6
31194	PRS2	Q5	Q4	31448	PRS5	Q30	Q29	†31663	54SA	Q7	Q6
31198	PPG2	Q5	Q4	31454	PRS5	Q30	Q29	31664	37SA	Q7	Q6
31201	PS7-1	Q5	Q4	31455	PRS9	Q30	Q29	31673	MS6	Q7	Q6
31216	SS5	Q24	Q24	31456	PRS9	Q7	Q6	31675	SD84	Q7	Q6
31224	U39	Q5	Q4	31457	PRS9	Q30	Q29	31678	S60	Q25	Q24
31226	FS22-1	Q5	Q4	31469	SS10	Q24	Q24	†31680	55SA	Q7	Q6
31227	S37	Q5	Q4	31472	No. 8	Q7	Q10	31685	PS9	Q30	Q29
31228	PS7-1	Q5	Q4	31474	PS7	Q30	Q29	31692	6SA	Q7	Q6
31229	PS5	Q20	Q20	31476	SD84	Q7	Q6	31695	SD84	Q7	Q6
31241	SS5	Q24	Q24	31478	SS10	Q7	Q6	31696	56SA	Q7	Q6
31243	PS6	Q30	Q29	31479	PS7	Q30	Q29	31702	57SA	Q20	Q21
31246	S56	Q24	Q24	31482	No. 9	Q7	Q4	31708	PRS7	Q30	Q29
31248	PS19	Q5	Q4	31486	6SA	Q7	Q6	31712	37SA	Q7	Q6
31249	PRS3	Q5	Q4	31494	MS6	Q7	Q6	31713	37SA	Q7	Q6
31250	TPS1-1	Q5	Q4	31497	SS5	Q24	Q24	†31714	37SA	Q30	Q29
31253	SS9	Q24	Q24	31501	S60	Q24	Q24	31719	SS9	Q25	Q24
31256	PS6	Q20	Q20	31502	SC81	Q7	Q6	31727	52SA	Q7	Q6
31258	SS5	Q24	Q24	†31504	12SA	Q30	Q29	31732	37SA	Q7	Q6
31260	PS9	Q5	Q4	31509	PRS7	Q7	Q6	31733	13SA	Q7	Q6
31268	PRS4	Q5	Q4	†31513	15SA	Q30	Q29	31734	37SA	Q7	Q6
31270	PRS3	Q5	Q4	31516	PRS3	Q7	Q6	31735	37SA	Q7	Q6
31272	SS5	Q24	Q4	31518	PS7	Q30	Q29	31736	13SA	Q7	Q6
31277	FS32	Q5	Q4	31524	PRS7	Q7	Q6	31737	37SA	Q7	Q6
31279	SS9	Q24	Q24	31526	PS20	Q30	Q29	31738	13SA	Q7	Q6
31281	51C	Q5	Q4	31527	PS9	Q7	Q6	31743	57SA	Q7	Q6
31284	FS22-1	Q5	Q4	31528	PS9	Q7	Q6	31750	21SA	Q7	Q6
31287	S45	Q24	Q24	31529	PS9	Q30	Q29	31755	42SA	Q7	Q8
31291	9	Q5	Q4	31531	S60	Q20	Q21	31756	42SA	Q7	Q8
31295	PS5	Q20	Q20	31533	13SA	Q7	Q6	31757	45SA	Q30	Q29
31299	HSC1	Q5	Q4	31540	540	Q24	Q24	31759	PRS7	Q30	Q29
31302	PRS5	Q30	—	31542	SS10	Q7	Q6	31760	37SA	Q7	Q8
31303	PRS5	Q5	Q4	31543	SS10	Q7	Q6	31765	37SA	Q7	Q8
31304	PRS5	Q30	Q29	31544	S60	Q24	Q24	31769	51SA	Q7	Q8
31311	SD84	Q5	Q4	31544	18SA	Q7	Q6	31776	37SA	Q7	Q8
31316	PS19	Q5	Q4	31546	PRS7	Q30	Q29	31780	57SA	Q7	Q8
31331	PS20	Q5	Q4	31550	37SA	Q7	Q6	31781	S60	Q25	—

† These switches have no serviceable spare parts

# SWITCHES



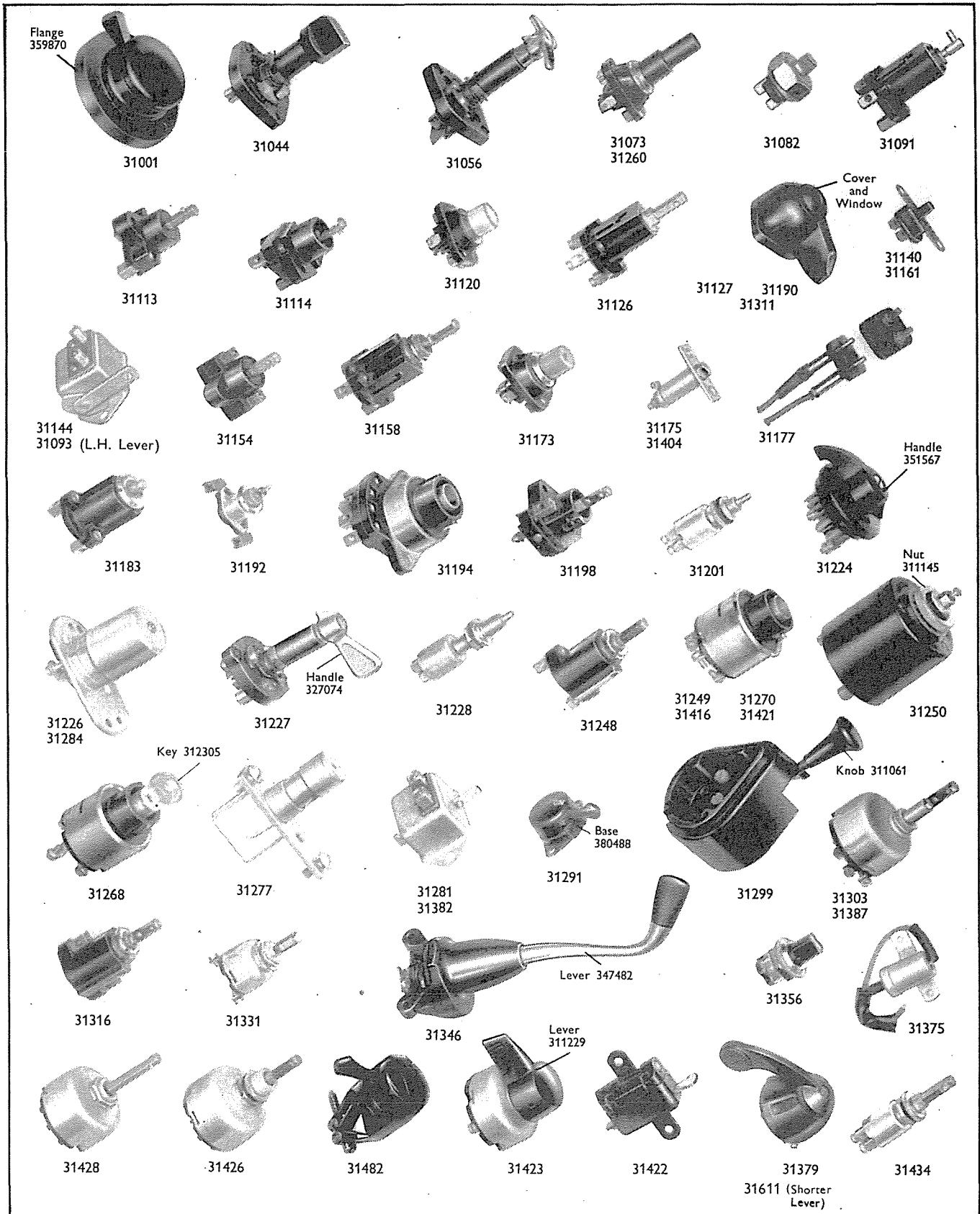
## INDEX

Part No.	Model	Page	Illustration Page	Part No.	Model	Page	Illustration Page	Part No.	Model	Page	Illustration Page
31788	57SA	Q7	Q8	31951	58SA	Q9	Q8	76605	ST305	Q31	Q29
31790	PRS3	Q9	Q8	31952	PPG1	Q9	Q8	78203	CHR1	Q31	Q32
31791	66SA	Q9	Q8	31954	PRS7	Q31	—	78205	CHR1	Q31	Q32
31792	66SA	Q9	Q8	31956	57SA	Q9	Q8	78206	CHR1	Q31	Q32
31793	10SA	Q9	Q8	31957	PRS7	Q31	Q29	78210	CHR1	Q31	Q32
31795	FS22	Q9	Q8	31958	PRS3	Q9	Q8	78216	CHR1	Q31	Q32
31796	37SA	Q9	Q8	31959	6SA	Q9	Q8	78225	CHR1	Q11	Q10
31799	47SA	Q25	Q24	31960	57SA	Q31	Q29	78226	CHR1	Q11	Q10
†31800	21SA	Q9	Q8	†31961	71SA	Q9	Q8	78237	CHR1	Q11	Q10
†31802	HL2	Q9	Q8	31962	S45	Q25	Q24	78241	CHR1	Q31	Q32
31803	37SA	Q9	Q8	31963	65SA	Q9	Q8	78250	CHR1	Q31	Q32
†31804	67SA	Q9	Q8	31964	37SA	Q9	Q8	78252	CHR1	Q11	Q10
†31807	22B	Q9	Q8	31967	SS5	Q25	Q24	78253	CHR1	Q11	Q10
31809	51SA	Q9	Q8	31969	57SA	Q9	Q8	78260	CHR1	Q31	Q32
31810	SS8	Q25	Q24	31970	58SA	Q9	Q10	78279	CHR1	Q11	Q10
31821	51SA	Q9	Q8	31971	47SA	Q25	Q24	78286	CHR3	Q31	Q32
†31826	22B	Q9	Q8	31973	47SA	Q25	Q24	78291	CHR1	Q11	Q10
31828	65SA	Q9	Q8	31974	CS58A	Q9	Q10	78294	CHR1	Q11	Q10
31829	70SA	Q25	Q24	31975	PRS7	Q31	—	78299	CHR1	Q11	Q10
31830	PRS9	Q9	Q8	31979	37SA	Q9	Q10	78300	CHR1	Q11	Q10
31836	57SA	Q30	Q29	31980	37SA	Q9	Q10	78301	CHR1	Q11	Q10
31837	57SA	Q9	Q8	31981	PRS7	Q9	Q10	78305	2R	Q31	Q32
31838	65SA	Q9	Q8	31982	PRS7	Q9	Q10	78311	CHR1	Q11	Q10
31839	57SA	Q9	Q8	31984	65SA	Q31	Q29	78314	CHR1	Q11	Q10
31840	57SA	Q9	Q8	31986	57SA	Q9	Q10	78328	2R	Q31	Q32
31841	57SA	Q9	Q8	31987	57SA	Q11	Q10	78331	CHR1	Q11	Q10
31847	PRS9	Q30	Q29	31988	57SA	Q31	Q29	78333	4R	Q11	Q10
†31849	SS10	Q9	Q8	31995	58SA	Q11	Q10	78336	CHR1	Q11	Q10
31850	57SA	Q9	Q8	31997	PRS7	Q31	Q29	78339	3R	Q31	Q32
31854	70SA	Q25	Q24	34005	PLC6	Q11	Q10	78344	3R	Q11	Q10
†31855	71SA	Q9	Q8	34019	PLC2	Q11	Q10	78346	3R	Q11	Q10
31857	37SA	Q9	Q8	34038	PLC6	Q11	Q10	78353	3R	Q11	Q32
31862	PRS7	Q30	Q29	34039	CRS	Q11	Q10	78356	3R	Q31	Q32
31865	6SA	Q9	Q8	34043	PLC6	Q11	Q10	78357	3R	Q31	Q32
31867	72SA	Q9	Q8	34054	PLC6	Q11	Q10	78358	3R	Q11	Q10
31869	PS7	Q9	Q8	34055	PLC6	Q11	Q10	78359	3R	Q11	Q10
31870	PRS7	Q30	Q29	34056	PLC6	Q11	Q10	78361	3R	Q31	Q32
31872	SS5	Q25	Q24	34063	PLC6	Q11	Q10	78362	3R	Q31	Q32
†31874	71SA	Q9	Q8	34065	PLC5	Q11	Q10	78363	3R	Q11	Q32
31878	PRS7	Q20	Q21	34074	CRS2	Q11	Q10	78369	3R	Q11	Q10
†31882	HL2	Q9	Q8	34090	PLC6	Q11	Q10	78370	3R	Q31	Q32
31883	37SA	Q9	Q8	34092	CRS3	Q11	Q10	78384	3R	Q31	Q32
31885	37SA	Q9	Q8	34103	CRS3	Q11	Q10	031046	TS1	Q11	Q10
31892	PRS7	Q30	Q29	34258	47SA	Q25	—	031218	PS7-1	Q11	Q10
31898	53SA	Q9	Q8	34264	47SA	Q25	—	031296	TPS1	Q11	Q10
31899	S45	Q25	Q24	34266	PS19	Q31	—	031366	PLC6	Q25	Q25
†31902	10SA	Q9	Q8	†34270	HL2	Q11	Q10	031445	22B	Q11	Q10
31904	TPS1-1	Q9	Q8	34299	70SA	Q25	—	076013	ST950	Q26	Q26
31907	37SA	Q9	Q8	34307	65SA	Q31	Q29	076411	ST18	Q25	Q25
31909	65SA	Q31	Q29	34314	37SA	Q11	Q10	076414	ST18	Q25	Q25
31912	47SA	Q25	Q24	†34328	81SA	Q11	Q10	076415	ST18	Q25	Q25
31915	37SA	Q9	Q8	76022	ST900-1	Q26	Q26	076419	ST18	Q25	Q25
31918	79SA	Q31	Q29	76404	ST10	Q25	Q25	359013	S37	Q11	Q10
31921	60SA	Q31	Q29	76412	ST18	Q25	Q25	†359236	88	Q11	Q10
31924	37SA	Q9	Q8	76421	ST950	Q26	Q26	359357	10	Q11	Q10
31928	PRS7	Q31	Q29	76422	ST950	Q26	Q26	359358	10	Q11	Q10
31931	TOS1	Q25	S4	76423	ST19-2	Q25	Q25	359671	S37	Q11	Q10
31933	57SA	Q9	Q8	76427	ST18	Q25	Q25	764248S	ST18	Q25	Q25
31936	66SA	Q9	Q8	76428	ST10	Q25	Q25	768380	CHR1	Q11	Q10
31938	PS5	Q20	Q20	76438	ST18-1	Q25	Q25				
†31939	81SA	Q9	Q8	76439	ST9	Q25	Q25				
31940	PRS9	Q31	Q29	76442	4SA	Q25	Q25				
†31942	BMS1	Q9	Q8	76464	2ST	Q26	Q26	1820410	BBNF A41	Q37	Q38
31945	37SA	Q9	Q8	76503	2S	Q31	Q29	1823410	108-1	Q37	Q38
31946	57SA	Q9	Q8	76600	ST350	Q31	Q29	1823420	108-2	Q37	Q38
31947	57SA	Q9	Q8	76602	ST350	Q31	Q29	1824890	134-19	Q37	Q38
								†1850021	285-2A	Q37	Q38

### C.A.V. SWITCHES

† These switches have no serviceable spare parts ‡ Thermostart

# LIGHTING AND DIRECTION INDICATOR SWITCHES



For detailed spare parts, see pages Q12-Q19

# LIGHTING AND DIRECTION INDICATOR SWITCHES

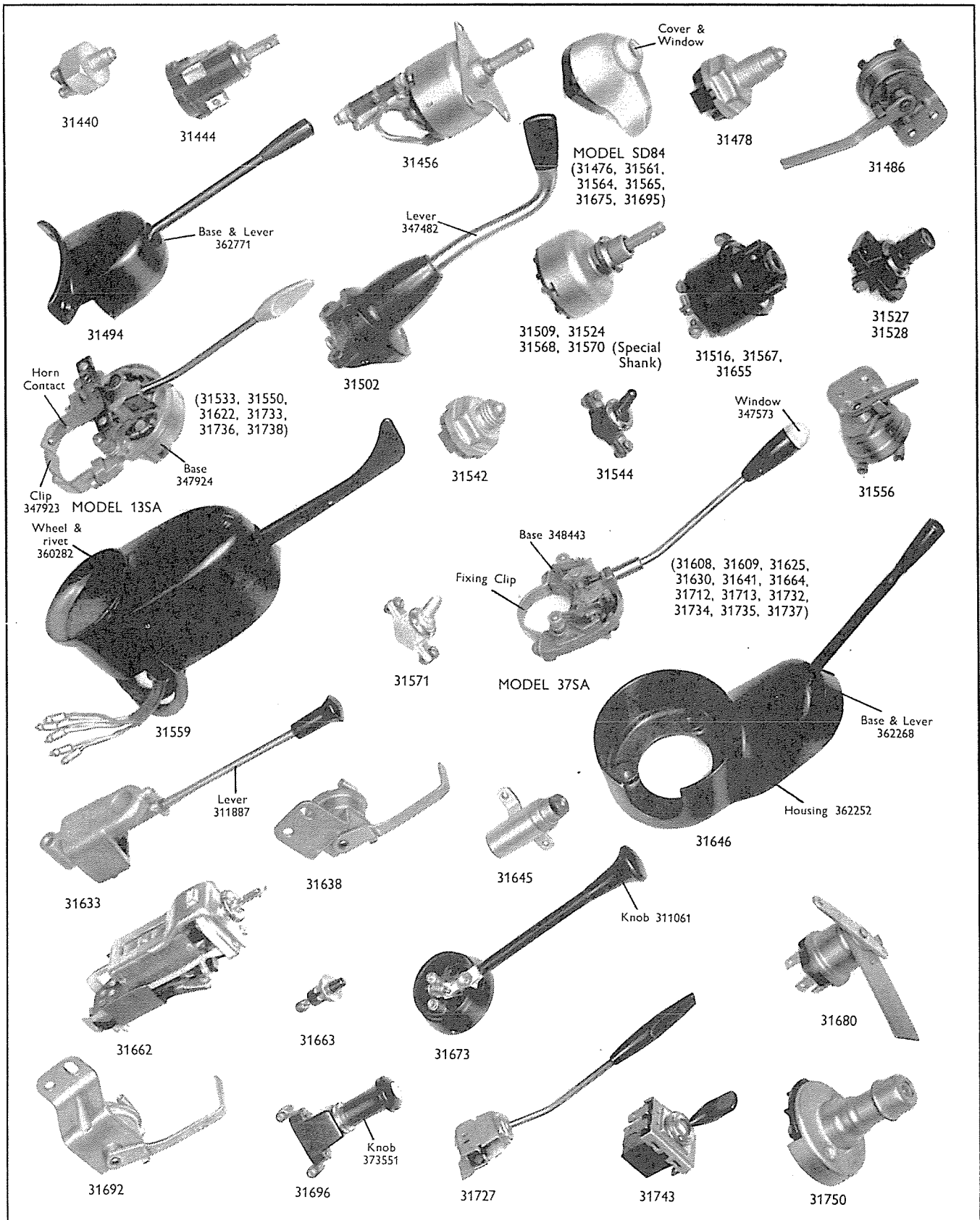


## Descriptive Reference

Part No.	Model	Usage	Action	Finish	Fixing	Special Features
31001	MD6	Dipper .. ..	Lever on-off .. ..	Black bakelite .. ..	Three hole flange	Panel fitting.
31044	S37	Lighting .. ..	Rotary .. ..	Black .. ..	Two hole	Black handle, marked 'LAMPS' in green.
31056	S37	Lighting .. ..	Rotary .. ..	Black and chrome .. ..	Two hole	C.P. handle.
31073	PS9	Panel .. ..	Push on-off, tumbler .. ..	C.P. fixing nut .. ..	Single hole	Plain black knob; for Rolls-Royce.
31082	HL2	Stop lamp .. ..	Hydraulic .. ..	—	Screw-in	For hydraulic brakes; American National Taper Thread.
31091	PPG1	Lighting .. ..	Two stage pull on-push off .. ..	Moulded body; C.P. fixing nut	Single hole	Less knob.
31093	39C	Stop lamp .. ..	Pull .. ..	—	Two hole	Left hand lever.
31113	PS16	Map light .. ..	Pull on-push off .. ..	Moulded body .. ..	Single hole	Less knob; as 31154, but terminals reversed.
31114	PPG2	Foglamp .. ..	Two stage pull on-push off .. ..	Moulded body .. ..	Two hole	Less knob.
31120	PS9	Roof lamp .. ..	Push on-off, tumbler .. ..	C.P. fixing nut .. ..	Single hole	Plain ivory knob.
31126	PPG1	Interior light .. ..	Two stage pull on-push off .. ..	Moulded body; C.P. fixing nut	Single hole	Less knob.
31127	SD84	Trafficator or flasher .. ..	Rotary three way .. ..	Brown .. ..	Two hole	Red window.
31140	10	Panel .. ..	Slide .. ..	Black .. ..	Two hole	As 31161, but 5 B.A. fixing holes.
31144	39C	Stop lamp .. ..	Pull .. ..	—	Two hole	Right hand lever.
31154	PS16	Roof lamp .. ..	Pull on-push off .. ..	Moulded body .. ..	Single hole	Less knob; as 31113, but terminals reversed.
31158	PPG1	Lighting .. ..	Two stage pull on-push off .. ..	Moulded body .. ..	Single hole	Less knob.
31161	10	Panel .. ..	Slide .. ..	Black .. ..	Two hole	As 31140, but 2 B.A. fixing holes.
31173	PS9	Panel .. ..	Push on-off, tumbler .. ..	—	Single hole	Brown knob, marked 'P' in maroon.
31175	94	Step, door or boot lamp .. ..	Push .. ..	C.P. .. ..	Two hole	As 31404 except for plunger travel.
31177	95	Trafficator interrupter .. ..	Push .. ..	Black .. ..	—	Circuit breaker switch.
31183	PPG1	Lighting .. ..	Two stage pull on-push off .. ..	Moulded body; C.P. fixing nut	Single hole	Less knob; special for wooden panel.
31190	SD84	Trafficator .. ..	Rotary three way .. ..	Brown .. ..	Two hole	Red window; 12 volt bulb; no resistance; as 31311 except for finish.
31192	PS15	Panel .. ..	Pull on-push off .. ..	C.P. fixing nut .. ..	Single hole	—
31194	PRS2	Lighting and ignition .. ..	Rotary three way .. ..	Metal clad brown bakelite .. ..	Two hole	Less lock.
31198	PPG2	Roof lamp .. ..	Two stage pull on-push off .. ..	Moulded body .. ..	Two hole	Less knob.
31201	PS7-1	Map, cab or bonnet light .. ..	Pull on-push off .. ..	C.P. fixing nut .. ..	Single hole	Short thread for metal panel; as 31228 except for length of thread.
31224	U39	Lighting .. ..	Rotary three way .. ..	Black .. ..	Spring circlip	Three positions, marked 'OFF-L-H'.
31226	FS22-1	Dipper .. ..	Push on-off .. ..	Natural .. ..	Four hole flange	Foot operated; similar to 31284 except for terminals.
31227	S37	Lighting .. ..	Rotary .. ..	Black .. ..	Two hole	C.P. handle.
31228	PS7-1	Interior light .. ..	Pull on-push off .. ..	C.P. fixing nut .. ..	Single hole	Long thread for wooden panel; as 31201 except for length of thread.
31248	PS19	Lighting .. ..	Pull on-push off .. ..	Moulded body; C.P. fixing nut	Single hole	Less knob; as 31316, but terminals reversed.
31249	PRS3	Lighting .. ..	Rotary three way .. ..	Black dial; C.P. bezel .. ..	Spring circlip	Less lock.
31250	TPS1-1	Trafficator or flasher .. ..	Rotary three way .. ..	Brown .. ..	Single hole	Pneumatic time switch; as 031296, but less lever.
31260	PS9	Dipper .. ..	Push on-off, tumbler .. ..	C.P. bezel .. ..	Single hole	Plain brown knob.
31268	PRS4	Lighting .. ..	Rotary four way .. ..	Black dial; C.P. bezel .. ..	Spring circlip	—
31270	PRS3	Lighting and ignition .. ..	Rotary three way .. ..	Black dial; C.P. bezel .. ..	Spring circlip	Less lock; 12 volt.
31277	FS32	Dipper .. ..	Push on-off .. ..	Natural .. ..	Three hole flange	Special flange for American vehicles.
31281	51C	Stop tail or reverse .. ..	Pull .. ..	—	Two hole	Brake operated.
31284	FS22-1	Dipper .. ..	Push on-off .. ..	Natural .. ..	Four hole flange	Foot operated; similar to 31226 except for terminals.
31291	9RW	Dipper .. ..	Lever on-off .. ..	Black cover .. ..	Two hole flange	Marked 'ON' in white.
31299	HSC1	Lighting .. ..	Lever on-off .. ..	Black .. ..	Steering column	—
31303	PRS5	Lighting .. ..	Rotary four way .. ..	—	Single hole	Four position; less knob.
31311	SD84	Trafficator or flasher .. ..	Rotary three way .. ..	Black .. ..	Two hole	Red window; 12 volt bulb; no resistance; as 31190 except for finish.
31316	PS19	Foglamp .. ..	Pull on-push off .. ..	Moulded body; C.P. fixing nut	Single hole	Less knob; as 31284, but terminals reversed.
31331	PS20	Lighting .. ..	Rotary on-off .. ..	—	Single hole	Less knob.
31346	SC81	Trafficator .. ..	Rotary three way .. ..	C.P. lever .. ..	Steering column	—
31356	PS6	Panel or roof .. ..	Rotary on-off .. ..	C.P. bezel .. ..	Single hole	Black knob with white arrow.
31375	BMS1	Boot lamp .. ..	Gravity .. ..	Natural .. ..	Two hole	Mercury contact; for Rolls-Royce.
31379	TS82	Trafficator .. ..	Rotary three way .. ..	Black .. ..	Two hole	Dash fixing.
31382	55C	Stop lamp .. ..	Pull .. ..	—	Two hole	—
31387	PRS5	Lighting .. ..	Rotary three way .. ..	—	Single hole for wooden facia	Three position; head and side lights.
31404	94	Roof lamp .. ..	Push .. ..	C.P. .. ..	Two hole	As 31175 except for length of plunger travel.
31416	PRS3	Lighting and ignition .. ..	Rotary three way .. ..	C.P. bezel .. ..	Spring circlip	Less lock; six terminals.
31421	PRS3	Lighting and ignition .. ..	Rotary three way .. ..	Black bezel .. ..	Spring circlip	Less lock; five terminals.
31422	22B	Reverse lamp .. ..	Push .. ..	Black .. ..	Two hole	Less clip and screw.
31423	SD87	Trafficator .. ..	Rotary three way .. ..	Moulded body; C.P. fixing nut	Single hole	Red clear plastic rotor.
31426	PRS7	Lighting .. ..	Rotary three way .. ..	Natural .. ..	Single hole	Hexagonal fixing nut; long bush.
31428	PRS7	Lighting .. ..	Rotary four way .. ..	Natural .. ..	Single hole	Hexagonal fixing nut; short bush.
31434	PS7	Panel .. ..	Push-pull .. ..	C.P. nut .. ..	Single hole	Less knob; hexagonal spindle.
31440	HL2	Stop lamp .. ..	Hydraulic .. ..	—	Screw-in	For hydraulic brakes; as 31082, but $\frac{3}{8}$ " U.N.F. thread.

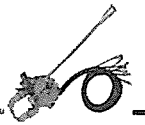


# LIGHTING AND DIRECTION INDICATOR SWITCHES



For detailed spare parts, see pages Q13-Q19

# LIGHTING AND DIRECTION INDICATOR SWITCHES



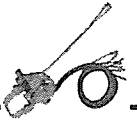
## Descriptive Reference—continued

Part No.	Model	Usage	Action	Finish	Fixing	Special Features
31444	PPG1	Lighting .. ..	Two stage pull on-push off	C.P. fixing nut .. ..	Single hole	As 31126, but terminals reversed.
31456	PRS9	Panel and map light	Combined rotary and pull-push .. ..	Natural .. ..	Three hole plate	Three positions, marked 'OFF-DIM-BRIGHT'; $\frac{3}{4}$ ohm resistance.
31472	No. 8	Boot lamp and door light .. ..	Push .. ..	C.P. .. ..	Two hole	—
31476	SD84	Flasher .. ..	Rotary three way ..	Cream lever .. ..	Two hole	Red warning light; for wooden panel.
31478	SS10	Reverse light .. ..	Push .. ..	Black .. ..	Screw-in	Long plunger; fitted to gearbox.
31482	No. 9	Dipper .. ..	Lever on-off .. ..	Black .. ..	1" clip	Supplied with packing piece for $\frac{3}{4}$ " bar.
31486	6SA	Stop light .. ..	Lever on-off .. ..	—	Two hole flange	Brake operated.
31494	MS6	Dipper .. ..	Lever on-off .. ..	Black .. ..	Two hole	Hand operated.
31502	SC81	Direction indicator	Lever .. ..	C.P. lever .. ..	Steering column	Self-cancelling.
31509	PRS7	Flasher .. ..	Rotary three way ..	C.P. fixing nuts .. ..	Single hole	Less knob; two fixing nuts.
31516	PRS3	Lighting and ignition	Rotary three way ..	Black .. ..	Spring	Less lock; three positions, marked 'OFF-SIDE-HEAD'.
31524	PRS7	Lighting .. ..	Rotary four way ..	C.P. fixing nut .. ..	Single hole	Less knob; four positions, marked 'OFF-SIDE-HEAD-FOG'.
31527	PS9	Interior .. ..	Push on-off, tumbler ..	C.P. fixing nut .. ..	Single hole	Black knob, marked 'INT' in white.
31528	PS9	Panel .. ..	Push on-off, tumbler ..	C.P. fixing nut .. ..	Single hole	Black knob, marked 'P' in white.
31533	13SA	Flasher .. ..	Lever three way ..	C.P. lever .. ..	Clamp	Diecast housing; stone grey knob.
31542	SS10	Reverse light .. ..	Push .. ..	—	Screw-in	Short plunger; fitted to gearbox.
31544	18SA	Panel .. ..	Toggle .. ..	C.P. fixing nut .. ..	Single hole	Black moulded knob.
31550	13SA	Flasher .. ..	Lever three way ..	C.P. lever .. ..	Clip	Pipe grey knob.
31556	6SA	Stop light .. ..	Lever on-off .. ..	—	Two hole flange	Brake operated.
31559	20SA	Direction indicator	Lever .. ..	Black .. ..	Steering column	Self-cancelling.
31561	SD84	Flasher .. ..	Rotary three way ..	Cream .. ..	Two hole	Red window; 6 volt bulb.
31564	SD84	Flasher .. ..	Rotary three way ..	Black body; cream bezel ..	Two hole	Green window; 12 volt bulb.
31565	SD84	Flasher .. ..	Rotary three way ..	Black body; cream bezel ..	Two hole	Green window; 24 volt bulb.
31567	PRS3	Lighting and ignition	Rotary three way ..	Black .. ..	Spring	Less lock and knob.
31568	PRS7	Lighting .. ..	Rotary three way ..	C.P. fixing nut .. ..	Single hole	—
31570	PRS7	Pillar light .. ..	Rotary three way ..	C.P. fixing nut .. ..	Single hole	Special shank; for Rolls-Royce.
31571	18SA	Roof and map lights	Toggle .. ..	C.P. fixing nut .. ..	Single hole	White moulded handle.
31600	PS6	Foglamp .. ..	Rotary on-off .. ..	C.P. bezel .. ..	Single hole	Short body; plain black knob.
31608	37SA	Flasher .. ..	Lever three way ..	C.P. lever .. ..	Clip	Illuminated knob.
31609	37SA	Flasher .. ..	Lever three way ..	C.P. lever .. ..	Clip	—
31611	TS82	Trafficator .. ..	Rotary three way ..	Black .. ..	Two hole	Column fixing.
31622	13SA	Flasher .. ..	Lever three way ..	C.P. lever .. ..	Clip	Pipe grey knob.
31625	37SA	Flasher .. ..	Lever three way ..	C.P. lever .. ..	Clip	Black knob; incorporates horn contact.
31630	37SA	Flasher .. ..	Lever three-way ..	C.P. lever .. ..	Clip	Illuminated knob.
31633	42SA	Flasher and horn ..	Combined lever and push	C.P. lever .. ..	Clip	Black knob.
31638	6SA	Stop lamp .. ..	Lever on-off .. ..	—	Two hole flange	Brake operated.
31641	37SA	Flasher .. ..	Lever three way ..	C.P. lever .. ..	Clip	Pebble grey knob; incorporates knob contact.
31645	BMS1	Boot lamp .. ..	Gravity .. ..	Natural .. ..	Two hole	Mercury contact; for Rolls-Royce.
31646	MS6	Dipper .. ..	Lever on-off .. ..	Black .. ..	Two hole	Hand operated.
31655	PRS3	Lighting .. ..	Rotary three way ..	Black; C.P. rim .. ..	Spring	Three positions, marked 'OFF-S-H'.
31662	10SA	Lighting .. ..	Combined rotary and pull	C.P. fixing nut .. ..	Single hole	Less knob; pull for exterior lamps, rotate for interior.
31663	54SA	Courtesy light ..	Push .. ..	—	Single hole	—
31664	37SA	Direction indicator	Lever three way ..	C.P. lever .. ..	Clip	Amber warning light in handle.
31673	MS6	Dipper .. ..	Lever on-off .. ..	Black .. ..	Two hole	Hand operated.
31675	SD84	Flasher .. ..	Rotary three way ..	Black base; cream cover ..	Two hole	Red window; 6 volt bulb.
31680	55SA	Reverse lamp .. ..	Rotary, lever operated	—	Flange	For Borg Warner transmission only; is also an inhibitor switch.
31692	6SA	Stop lamp .. ..	Lever on-off .. ..	—	Flange	Brake operated.
31695	SD84	Direction indicator	Rotary three way ..	Cream .. ..	Two hole	No warning light.
31696	56SA	Reverse lamp .. ..	Pull on-push off .. ..	C.P. fixing nut .. ..	Single hole	Hand operated.
31712	37SA	Flasher .. ..	Lever three way ..	C.P. lever .. ..	Clip	Black knob; incorporates horn contact.
31713	37SA	Flasher .. ..	Lever three way ..	C.P. lever .. ..	Clip	Black knob; incorporates horn contact.
31727	52SA	Dipper .. ..	Toggle .. ..	C.P. fixing nut .. ..	Single hole	Hand operated; black knob.
31732	37SA	Flasher .. ..	Lever three way ..	C.P. lever .. ..	Clip	Pearl grey knob; L.H. cranked lever.
31733	13SA	Flasher .. ..	Lever three way ..	C.P. lever .. ..	Clip	Pearl grey knob; for U.S.A. only.
31734	37SA	Flasher .. ..	Lever three way ..	C.P. lever .. ..	Clip	Black knob; R.H. cranked lever.
31735	37SA	Flasher .. ..	Lever three way ..	C.P. lever .. ..	Clip	Black knob; L.H. cranked lever.
31736	13SA	Flasher .. ..	Lever three way ..	C.P. lever .. ..	Clip	Black knob; for U.S.A. only.
31737	37SA	Flasher .. ..	Lever three way ..	C.P. lever .. ..	Clip	Pebble grey knob.
31738	13SA	Flasher .. ..	Lever three way ..	C.P. lever .. ..	Clip	Pebble grey knob; for U.S.A. only.
31743	57SA	Trafficator .. ..	Toggle three way ..	C.P. fixing nut .. ..	Single hole	Black knob.
31750	21SA	Dipper .. ..	Push on-off .. ..	—	Two hole	Foot operated.
31755	42SA	Trafficator and horn push	Combined lever and push	C.P. lever .. ..	Clip	With warning light in handle.
31756	42SA	Flasher and horn push	Combined lever and push	C.P. lever .. ..	Clip	With warning light in handle.
31760	37SA	Direction indicator	Lever three way ..	C.P. lever .. ..	Clip	Illuminated knob.
31765	37SA	Direction indicator	Lever three way ..	C.P. lever .. ..	Clip	Amber warning light in handle.
31769	51SA	Lighting and horn push	Combined rotary and push	Black body; grey knob ..	Steering column	For 12 volt circuit.
31776	37SA	Direction indicator	Lever three way ..	Black .. ..	Clip	Two-piece diecast cover; special knob.
31780	57SA	Interior light .. ..	Toggle two way ..	C.P. nut; black handle ..	Single hole	Hexagon nut; Lucar connectors
31788	57SA	Lighting .. ..	Toggle three way ..	C.P. nut; black handle ..	Single hole	Hexagon nut; Lucar connectors.



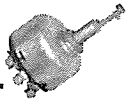


# LIGHTING AND DIRECTION INDICATOR SWITCHES

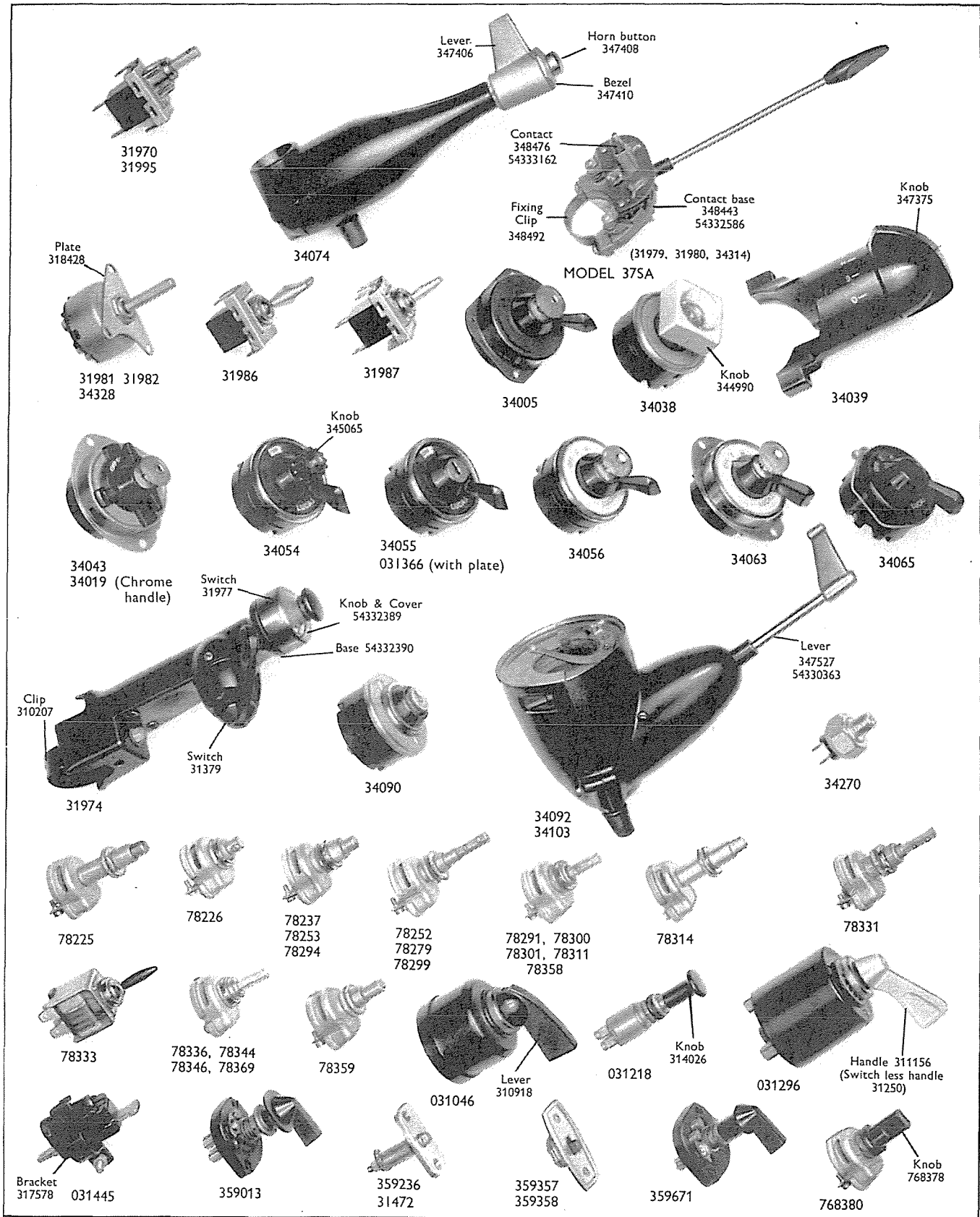


## Descriptive Reference—continued

Part No.	Model	Usage	Action	Finish	Fixing	Special Features
31790	PRS3	Lighting and ignition	Rotary three way ..	Black dial; C.P. bezel ..	Spring circlip	Less lock; 24 volt.
31791	66SA	Lighting, flasher and horn push	Multiple .. ..	—	Steering column	Four position, off, side, dip and head; warning lights in casting.
31792	66SA	Lighting and horn push	Multiple .. ..	—	Steering column	Four position, off, side, dip and head.
31793	10SA	Lighting .. ..	Two stage pull on—push off	C.P. fixing nut .. ..	Single hole	Less knob.
31795	FS22-1	Dipper .. ..	Push on—off .. ..	Natural .. ..	Two hole flange	Foot operated; similar to 31234, but with special sunken fixing bracket.
31796	37SA	Flasher .. ..	Lever three way ..	C.P. lever .. ..	Clip	Pebble grey knob; incorporates horn contact.
31800	21SA	Dipper .. ..	Push on—off .. ..	—	Two hole	Foot operated.
31802	HL2	Stop lamp .. ..	Hydraulic .. ..	—	Screw-in	For hydraulic brakes; Lucar con- nectors.
31803	37SA	Flasher .. ..	Lever three way ..	C.P. lever .. ..	Clip	Lucar connectors.
31804	67SA	Door pillar .. ..	Slide .. ..	C.P. cover; black knob ..	Push-in	Lucar connectors.
31807	22B	Reverse light ..	Push .. ..	Black .. ..	Two hole strap	Gear operated; Lucar connectors.
31809	51SA	Lighting and horn push	Combined rotary and push	Black body; grey knob ..	Steering column	For 24 volt circuit.
31821	51SA	Lighting, horn push and flasher	Combined rotary and push	Green base .. ..	Steering column	For 24 volt circuit.
31826	22B	Reverse light ..	Push .. ..	Black .. ..	Two hole strap	Gear operated.
31828	65SA	Panel light .. ..	Lever on—off .. ..	C.P. fixing nut; black knob ..	Single hole	Lucar connectors.
31830	PRS9	Map and panel light	Combined rotary and push—pull	Natural .. ..	Three hole plate	Three positions, marked 'OFF- DIM—BRIGHT'; 1-3 ohms resis- tance.
31837	57SA	Lighting .. ..	Toggle three way ..	C.P. fixing nut; black knob ..	Single hole	47 ohms resistance.
31838	65SA	Panel light .. ..	Lever on—off .. ..	C.P. bezel; black knob ..	Single hole	Special bevelled bezel; Lucar con- nectors.
31839	57SA	Panel light .. ..	Toggle .. ..	C.P. bezel; black knob ..	Single hole	Special bevelled bezel.
31840	57SA	Driving lamp ..	Toggle three way ..	C.P. fixing nut; black knob ..	Single hole	Lucar connectors.
31841	57SA	Lighting .. ..	Toggle three way ..	C.P. bezel; black knob ..	Single hole	Special countersunk bezel; Lucar connectors.
31849	SS10	Reverse lamp ..	Gear lever operated ..	—	Screw-in	Lucar connectors.
31850	57SA	Lighting .. ..	Toggle three way ..	C.P. fixing nut; black knob ..	Single hole	47 ohms resistance.
31855	71SA	Lighting .. ..	Lever three way ..	C.P. lever; grey knob ..	Steering column	Three positions: off, dip and main beam.
31857	37SA	Flasher .. ..	Lever three way ..	C.P. lever .. ..	Clip	Amber window; 12 volt bulb.
31865	6SA	Stop lamp .. ..	Lever on—off .. ..	—	Two hole flange	Brake operated; extra long lever.
31867	72SA	Flasher .. ..	Lever three way ..	C.P. lever; grey knob ..	Steering column	—
31869	PS7	Panel light .. ..	Pull on—push off ..	C.P. fixing nut .. ..	Single hole	Less knob.
31874	71SA	Lighting .. ..	Lever three way ..	C.P. lever; grey knob ..	Steering column	For North America only.
31882	HL2	Stop lamp .. ..	Hydraulic .. ..	—	Screw-in	For hydraulic brakes; Lucar con- nectors.
31883	37SA	Direction indicator	Lever three way ..	C.P. lever .. ..	Clip	Green window; incorporates horn contact.
31885	37SA	Direction indicator	Lever three way ..	C.P. lever .. ..	Clip	Green window; no horn contact.
31898	23SA	Headlamp flasher ..	Pull on—push off ..	C.P. lever; black knob ..	Single hole	For North America; optional fit- ment.
31902	10SA	Lighting and panel	Combined rotary and pull—push	—	Single hole	Two stage pull for exterior lights, rotate for panel lights.
31904	TPS1-1	Flasher .. ..	Pneumatic .. ..	—	Single hole	Less lever.
31907	37SA	Flasher .. ..	Lever three way ..	C.P. lever .. ..	Clip	Incorporates horn contact.
31915	37SA	Flasher .. ..	Lever three way ..	Black knob .. ..	Clip	Special lever; for Rolls-Royce and Bentley.
31924	37SA	Flasher .. ..	Lever three way ..	C.P. lever .. ..	Clip	Window in knob.
31933	57SA	Lighting .. ..	Toggle three way ..	C.P. fixing nut; black knob ..	Single hole	Lucar connectors; with resistance.
31936	66SA	Lighting and horn push	Rotary lever and push button	Matt black .. ..	Steering column	Four positions: off, side, dip and head.
31939	81SA	Map and panel light	Combined pull and rotary three way	—	Three hole plate	19 ohms resistance; for Rolls-Royce and Bentley.
31942	BMS1	Boot light .. ..	Gravity .. ..	—	Two hole strap	Mercury contact.
31945	37SA	Trafficator .. ..	Lever three way ..	C.P. lever .. ..	Clip	Green window in handle.
31946	57SA	Lighting .. ..	Toggle three way ..	C.P. fixing nut .. ..	Single hole	Lucar connectors.
31947	57SA	Panel .. ..	Toggle three way ..	C.P. fixing nut .. ..	Single hole	Lucar connectors.
31951	58SA	Lighting .. ..	Two stage pull on—push off	C.P. fixing nut .. ..	Single hole	Less knob; Lucar connectors.
31952	PPG1	Lighting .. ..	Two stage pull on—push off	Moulded body; C.P. fixing nut	Single hole	Special nut with longer sleeve.
31956	57SA	Panel .. ..	Toggle .. ..	C.P. fixing nut .. ..	Single hole	Lucar connectors.
31958	PRS3	Lighting and ignition	Rotary three way ..	C.P. rim .. ..	Spring circlip	Less lock; Lucar connectors.
31959	6SA	Stop lamp .. ..	Lever on—off .. ..	—	Flange	Brake operated; angled lever.
31961	71SA	Lighting .. ..	Lever four way ..	C.P. lever; grey knob ..	Steering column	Four positions: off, side, dip and main beam; for left hand drive.
31963	65SA	Map and interior ..	Lever on—off .. ..	C.P. fixing nut; black lever ..	Single hole	Lucar connectors.
31964	37SA	Flasher .. ..	Lever three way ..	C.P. lever; black knob ..	Clip	Less fixing clip.
31969	57SA	Panel light .. ..	Toggle three way ..	C.P. fixing nut; black lever ..	Single hole	4 ohms resistance.
31970	58SA	Lighting .. ..	Two stage pull on—push off	C.P. fixing nut .. ..	Single hole	Less knob; Lucar connectors.
31974	CS58A	Trafficator and horn push	Lever three way and push	Black; C.P. cover .. ..	Steering column	—
31979	37SA	Flasher .. ..	Lever three way ..	C.P. lever; black knob ..	Clip	For right hand drive.
31980	37SA	Flasher .. ..	Lever three way ..	C.P. lever; black knob ..	Clip	For left hand drive.
31981	PRS7	Lighting .. ..	Rotary four way ..	Natural .. ..	Three hole plate	Less knob.
31982	PRS7	Lighting .. ..	Rotary three way ..	Natural .. ..	Three hole plate	Less knob.
31986	57SA	Flasher .. ..	Toggle three way ..	C.P. fixing nut; cream knob	Single hole	—



# LIGHTING AND DIRECTION INDICATOR SWITCHES



For detailed spare parts, see pages Q13-Q19

# LIGHTING AND DIRECTION INDICATOR SWITCHES



## Descriptive Reference—continued

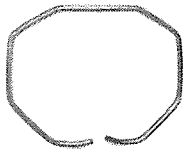





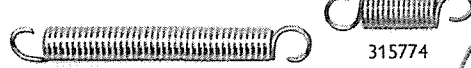



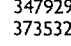

Part No.	Model	Usage	Action	Finish	Fixing	Special Features
31987	57SA	Lighting .. ..	Toggle three way ..	C.P. fixing nut; cream knob	Single hole	—
31995	58SA	Lighting .. ..	Two stage pull on—push off	C.P. fixing nut .. ..	Single hole	Less knob; Lucar connectors.
34005	PLC6	Lighting and ignition	Rotary three way ..	Brown dial; upswept knob ..	Four hole flange	No lettering.
34019	PLC2	Lighting and ignition	Rotary three way ..	C.P. dial and handle .. ..	Two hole flange	Marked 'OFF-SIDE-HEAD'.
34038	PLC6	Lighting and ignition	Rotary three way ..	Square ivory knob .. ..	Single hole	No marking.
34039	CRS	Lighting .. ..	Rotary three way ..	Black .. ..	Steering column	Marked 'O-S-H'.
34043	PLC6	Lighting and ignition	Rotary three way ..	Black handle and dial ..	Two hole flange	Marked 'OFF-SIDE-HEAD'.
34054	PLC6	Lighting and ignition	Rotary three way ..	C.P. bezel; black handle and knob	Spring circlip	Dial marked 'OFF-S-H', knob marked 'ON'.
34055	PLC6	Lighting and ignition	Rotary three way ..	C.P. bezel; black upswept handle	Spring circlip	Marked 'OFF-S-H'.
34056	PLC6	Lighting and ignition	Rotary three way ..	Cream dial; brown upswept handle	Spring circlip	Marked 'OFF-S-H' in brown.
34063	PLC6	Lighting and ignition	Rotary three way ..	Cream dial; brown handle ..	Two hole flange	Marked 'OFF-S-H' in brown.
34065	PLC5	Lighting .. ..	Rotary three way ..	Black .. ..	Spring circlip	Marked 'OFF-S-H'.
34074	CRS2	Lighting and horn push	Push and rotary four way	Black .. ..	Steering column	Marked 'OFF-SIDE-HEAD-DIP'.
34090	PLC6	Lighting and ignition	Rotary three way ..	—	Spring circlip	Less handle; complete with lock.
34092	CRS3	Lighting .. ..	Rotary four way ..	Black; C.P. lever .. ..	Steering column	—
34103	CRS3	Lighting .. ..	Rotary four way ..	Black; C.P. lever .. ..	Steering column	—
34270	HL2	Stop lamp .. ..	Hydraulic .. ..	—	Screw-in	Metric thread; Lucar connectors.
34314	37SA	Flasher .. ..	Lever three way ..	C.P. lever; black knob ..	Clip	For left hand side of column.
34328	81SA	Map and panel ..	Combined pull and rotary three way	—	Plate	40 ohms resistance; Lucar connectors; for Rolls-Royce and Bentley.
78225	CHR1	Panel light .. ..	Rotary .. ..	Brass fixing nut .. ..	Single hole	Less knob; 1 1/2" bush; 4.25 ohms resistance; grub screw knob fitting.
78226	CHR1	Panel light .. ..	Rotary .. ..	C.P. fixing nut .. ..	Single hole	Less knob; 1/2" bush; 2.35-2.65 ohms resistance; grub screw knob fitting.
78237	CHR1	Panel light .. ..	Rotary .. ..	C.P. fixing nut .. ..	Single hole	Less knob; 5/16" bush; 14-16 ohms resistance; grub screw knob fitting.
78252	CHR1	Panel light .. ..	Rotary .. ..	Brass fixing nut .. ..	Single hole	Less knob; 3/8" bush; 23.3-26.7 ohms resistance; push-on knob fitting.
78253	CHR1	Panel light .. ..	Rotary .. ..	C.P. fixing nut .. ..	Single hole	Less knob; 3/8" bush; 7-8 ohms resistance; grub screw knob fitting.
78279	CHR1	Panel light .. ..	Rotary .. ..	Brass fixing nut .. ..	Single hole	Less knob; 3/8" bush; 5-6 ohms resistance; push-on knob fitting.
78291	CHR1	Panel light .. ..	Rotary .. ..	C.P. fixing nut .. ..	Single hole	1/2" bush; 23.3-26.7 ohms resistance; push-on knob fitting.
78294	CHR1	Panel light .. ..	Rotary .. ..	C.P. fixing nut .. ..	Single hole	3/8" bush; 11.6-13.4 ohms resistance; grub screw knob fitting.
78299	CHR1	Panel light .. ..	Rotary .. ..	Brass fixing nut .. ..	Single hole	Less knob; 3/8" bush; 11.6-13.4 ohms resistance; push-on knob fitting.
78300	CHR1	Panel light .. ..	Rotary .. ..	Brass fixing nut .. ..	Single hole	1/2" bush; 8.5-9 ohms resistance; less knob, rotor and spindle.
78301	CHR1	Panel light .. ..	Rotary .. ..	Brass fixing nut .. ..	Single hole	1/2" bush; 4.5-5 ohms resistance; less knob, rotor and spindle.
78311	CHR1	Panel light .. ..	Rotary .. ..	C.P. fixing nut .. ..	Single hole	Less knob; 1/2" bush; 11.6-13.4 ohms resistance; push-on knob fitting.
78314	CHR1	Panel light .. ..	Rotary .. ..	C.P. fixing nut .. ..	Single hole	Less knob; 1 1/2" bush; 11.6-13.4 ohms resistance; grub screw knob fitting.
78331	CHR1	Panel light .. ..	Rotary .. ..	C.P. fixing nut .. ..	Single hole	Push-on knob; 3/8" bush; 11 ohms resistance.
78333	4R	Panel light .. ..	Toggle .. ..	C.P. fixing nut; black knob ..	Single hole	7-8 ohms resistance; Lucar connectors.
78336	CHR1	Panel light .. ..	Rotary .. ..	C.P. fixing nut .. ..	Single hole	Less knob; 15 ohms resistance; push-on knob fitting.
78344	3R	Panel light .. ..	Rotary .. ..	C.P. fixing nut .. ..	Single hole	Less knob; .84" bush; 12.5 ohms resistance.
78346	3R	Panel light .. ..	Rotary .. ..	C.P. fixing nut .. ..	Single hole	Less knob; .44" bush; 12.5 ohms resistance.
78353	3R	Panel light .. ..	Rotoary .. ..	C.P. fixing nut .. ..	Single hole	Less knob; .437" bush; 25 ohms resistance.
78358	3R	Panel light .. ..	Rotary .. ..	C.P. fixing nut .. ..	Single hole	Less knob; 25 ohms resistance.
78359	3R	Panel light .. ..	Rotary .. ..	C.P. fixing nut .. ..	Single hole	5-6 ohms resistance.
78363	3R	Panel light .. ..	Rotary .. ..	C.P. fixing nut .. ..	Single hole	Less knob; 12.5 ohms resistance.
78369	3R	Panel light .. ..	Rotary .. ..	C.P. fixing nut .. ..	Single hole	Less knob; .84" bush; 12.5 ohms resistance.
031046	TS1	Trafficator .. ..	Rotary three way ..	Brown .. ..	Single hole	Time switch; complete with lever.
031218	PS7-1	Panel light .. ..	Pull on—push off ..	C.P. fixing nut .. ..	Single hole	Comprises switch 31201 and knob 314026.
031296	TPS1	Direction indicator	Rotary three way ..	Brown .. ..	Single hole	Pneumatic time switch; as 31250, but complete with handle 311156.
031445	22B	Stop lamp .. ..	Pull on .. ..	Black .. ..	Clip	Less clip and screw.
359013	S37	Lighting .. ..	Rotary three way ..	—	Two hole	With cable.
359236	88	Boot light .. ..	Push .. ..	C.P. .. ..	Two hole	As 359358, but larger; black knob.
359357	10	Panel light .. ..	Slide .. ..	C.P. escutcheon plate .. ..	Two hole	As 359357, but smaller; black knob.
359358	10	Roof or boot light	Slide .. ..	C.P. escutcheon plate .. ..	Two hole	Complete with lever and stem.
359671	S37	Foglamp .. ..	Rotary on-off .. ..	Moulded body .. ..	Two hole	1/2" bush; 7-8 ohms resistance; complete with knob.
768380	CHR1	Panel light .. ..	Rotary .. ..	Black fixing nut .. ..	Single hole	



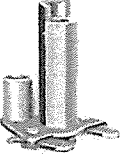


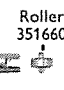

# LIGHTING AND DIRECTION INDICATOR SWITCHES

For details of switches with serviceable parts consisting only of terminal screw or sleeve and/or fixing nut with or without a washer, see page Q17


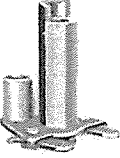
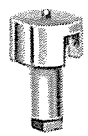
### SPRINGS

 308234  
 311102  
 312068  
 311884  
 315543  
 315726  
 315774  
 315746  
 347850  
 347929  
 373532  
 344197  






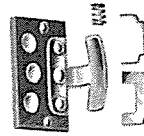
### HEADPIECES

 347465  
 351785  
 Spring 351662  
 Roller 351660  
 Plunger 351661  

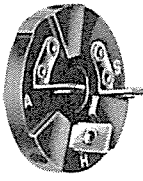
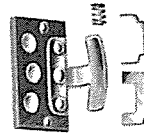
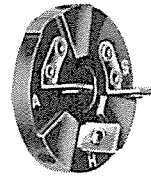

### HOUSINGS

 347798  
 348539  
 54332184 (black)

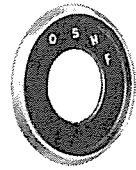
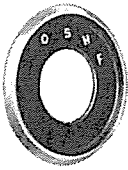
### RUBBER CAPS, RING AND PAD

 236741  
 316072  
 360026  
 54331425  
 523986  
 312777  

### CONTACT BASES


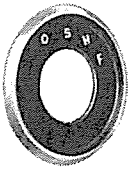

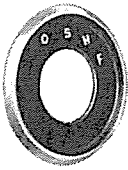
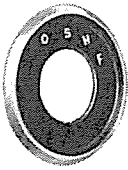

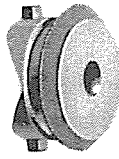

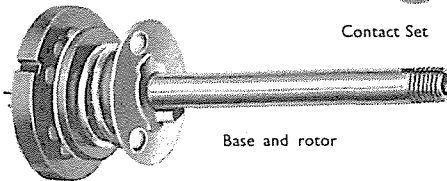
 311314  
 311873  
 347358  
 347477  

### ESCUTCHEON PLATES

 315604  
 315608  

Metal:	Diakon:
315604 ('O-S-H-F')	54850082 ('Panel')
315608 ('O-S-H')	54850085 ('Fog')
	54850086 ('Map')
Diakon:	
54850094 ('O-S-H-F')	
54850095 ('O-S-H')	

### TYPICAL SWITCH PARTS

 Action Plate  
 Bulbholder  
 Contact Set  
 Lock 345070 and Key  
 Key 312305  
 Pawl set 324527  
 Plunger 311144  
 Rotor  
 Base and rotor

For detailed spare parts, see pages Q13-Q19

DETAILED SPARE PARTS

LIGHTING AND DIRECTION INDICATOR SWITCHES

Part No. Model	31001 MD6	31127 SD84	31190 SD84	31201 PS7-1	31224 U39	31227 S37	31228 PS7-1	31249 PRS3	31250 TPS1-1	31268 PRS4	31270 PRS3	31291 No. 9	31299 HSC1
Flange, base	359870	—	—	—	—	—	—	—	—	—	—	380488	—
§Handle, fixing	—	—	—	—	351567	327074	—	—	—	—	—	—	—
§Knob	—	—	—	—	—	—	—	—	**311156	—	—	—	311061
Screw, fixing base, handle or cover	136410	—	—	—	126544	—	—	—	136410	—	—	—	—
Nut, contact stud or cover screw	—	—	—	—	166103	—	—	—	166160	—	—	—	—
§Washer, fixing screw	188412	—	—	—	188408	—	—	—	—	—	—	—	—
Shaft headpiece, or spindle and contacts	—	—	—	—	351785	—	—	—	311314	—	—	—	—
Roller, contact	—	—	—	—	351660	—	—	—	—	—	—	—	—
Plunger	—	—	—	—	351661	—	—	—	311144	—	—	—	—
Spring, plunger	—	—	—	—	351662	—	—	—	311102	—	—	—	—
§Screw, terminal	124300	120560	120560	120560	120560	121610	120560	132464	121610	124069	132464	120610	126463
§Washer, terminal screw	—	—	—	—	—	—	—	185000	185012	185000	185000	—	185040
Cover and window	—	310738	310738	—	—	—	—	—	—	—	—	—	—
§Bulb	—	990	984	—	—	—	—	—	—	—	—	—	—
§Key	—	—	—	—	—	—	—	—	—	312305	—	—	—
Nut, fixing	—	—	—	314017	—	—	316207	—	311145	—	—	—	—
Nut, fixing, rear	—	—	—	180093	—	—	180093	—	—	—	—	—	—
Washer, spring or shakeproof	—	—	—	185081	—	—	185081	—	188303	—	—	—	—
Spring, fixing	—	—	—	—	308234	—	—	312068	—	312068	312068	—	—
§Ring, fixing	—	—	—	—	523986	—	—	—	—	—	—	—	—

Part No. Model	31303 PRS5	31311 SD84	31331 PS20	31346 SC81	31356 PS6	31387 PRS5	31416 PRS3	31421 PRS3	31423 SD87	31426 PRS7	31428 PRS7	31434 PS7	31476 SD84
§Screw, terminal	132504	120560	132464	—	121610	132504	132464	132464	132464	132464	132464	120560	120560
§Washer, terminal screw	185000	—	185000	—	—	185000	185000	185000	188412	185000	185000	—	—
Cover and window	—	310738	—	—	—	—	—	—	—	—	—	—	310738
§Bulb	—	987	—	—	—	—	—	—	—	—	—	—	987
Nut or screw, fixing	182660	—	315081	—	180670	182660	—	—	—	182660	182660	317543	—
Nut, fixing, rear	—	—	—	—	†158350	—	—	—	—	182660	—	180093	—
Washer, fixing nut or screw	—	—	—	—	185188	—	—	—	—	185106	—	185081	—
Spring, fixing	—	—	—	—	—	—	312068	312068	—	—	—	—	—
§Lever	—	—	—	347482	—	—	—	—	311229	—	—	—	—
§Headpiece, action	—	—	—	347465	—	—	—	—	—	—	—	—	—
Contact base	—	—	—	347477	—	—	—	—	—	—	—	—	—
Sundry parts, set	—	—	—	347486	—	—	—	—	—	—	—	—	—

Part No. Model	31482 No. 9	31494 MS6	31502 SC81	31509 PRS7	31516 PRS3	31524 PRS7	‡31533 13SA	31544 18SA	‡31550 13SA	31559 20SA	31561 SD84	31564 SD84	31565 SD84	31567 PRS3
§Screw, terminal or cable clip	120610	124300	—	132464	132464	132464	—	132564	—	132464	120560	120560	120560	132464
§Washer, terminal screw or cable clip	—	—	—	185000	185000	185000	—	185009	—	188412	—	—	—	185000
Cover and window	—	—	—	—	—	—	—	—	—	—	310738	311024	311024	—
§Bulb	—	—	—	—	—	—	—	—	—	280	990	987	650	—
Nut, clip or screw fixing	380427	136410	—	182660	—	182660	347923	315081	347923	††133380	—	—	—	—
Screw, cover fixing	—	—	—	—	—	—	—	—	—	145580	—	—	—	—
Nut, fixing, rear	—	—	—	182660	—	182660	—	‡166013	—	—	—	—	—	—
Washer, fixing nut or screw	—	185012	—	185016	—	185106	—	—	—	188412	311037	—	—	—
Contact, horn, or connector, bulb	—	—	—	—	—	—	54332109	—	348454	—	—	—	—	—
Spring, fixing, or pawl centering	—	—	—	—	312068	—	347682	—	347682	—	—	—	—	312068
§Lever	—	—	347482	—	—	—	—	—	—	—	—	—	—	—
§Headpiece, action	—	—	347465	—	—	—	—	—	—	—	—	—	—	—
Contact base	—	§362271	347493	—	—	—	347924	—	347924	—	—	—	—	—
Sundry parts, set	—	—	347486	—	—	—	—	—	—	—	—	—	—	—
Wheel and rivet	—	—	—	—	—	—	—	—	—	360282	—	—	—	—

† Plain washer ‡ Housing 347798 supplied separately; cable channel 347683, contact plate 347779 and striker 347818 serviced by Vehicle Manufacturer § Recommended spares for stock  
 ‡ Striker 347818 serviced by Vehicle Manufacturer † Terminal nut § And lever \*\* Supplied separately †† Screw, cover fixing

DETAILED SPARE PARTS

Q14

31568 — 31803

LIGHTING AND DIRECTION INDICATOR SWITCHES

Part No. Model	31568 PRS7	31570 PRS7	31600 PS6	31608 37SA	31609 37SA	‡31622 13SA	31625 37SA	31630 37SA	31633 42SA	31641 37SA	31646 MS6	31655 PRS3	31664 37SA
§Screw, terminal	132464	132464	121610	—	—	—	—	—	—	—	120560	132464	—
§Washer, terminal screw	185000	185000	§185188	—	—	—	—	—	—	—	—	185000	—
§Window, bulb	—	—	—	347573	347573	—	—	347573	—	—	—	—	347573
§Bulb	—	—	—	280	280	—	—	280	—	—	—	—	280
§Bulb holder	—	—	—	347769	347769	—	—	348640	—	—	—	—	347769
Nut, clip or screw, switch fixing	183891	†100847	180670	348442	348320	347923	348442	348442	—	347523	126580	—	348442
Nut, fixing, rear	182660	—	—	—	—	—	—	—	—	—	—	—	—
Washer, fixing, nut or screw	185106	—	158350	—	—	—	—	—	—	—	185040	—	—
Contact and/or base	—	—	—	348443	348443	347924	348443	348443	311873	348443	‡362268	—	348443
Contact, horn	—	—	—	—	—	348454	348581	—	—	348476	—	—	—
Spring, fixing, or pawl centering	—	—	—	348323	348323	347682	348323	348323	—	348323	—	312068	—
Spring, earthing or lever	—	—	—	347929	347929	—	—	347929	—	—	—	—	347929
Lever	—	—	—	—	—	—	—	—	311884	—	—	—	—
Housing	—	—	—	—	—	—	—	—	311887	—	362252	—	—

Part No. Model	31673 MS6	31675 SD84	31695 SD84	31696 56SA	31712 37SA	31713 37SA	31732 37SA	31733 13SA	31734 37SA	31735 37SA	31736 13SA	31737 37SA
§Screw or sleeve, terminal	124300	120560	120560	188818	—	—	—	—	—	—	—	—
Cover and/or window	—	310738	310688	—	—	—	—	—	—	—	—	—
§Bulb	—	990	—	281	—	—	—	—	—	—	—	—
Nut, clip or screw, switch fixing	—	—	—	180810	348442	348442	347923	347923	347923	347923	347923	347923
Contact and/or base	—	—	—	—	348443	348443	348443	347924	348443	348443	347924	348443
Contact, horn	—	—	—	—	348581	348581	348476	348454	348476	348476	348454	54330120
Spring, fixing, or pawl centering	—	—	—	373532	348323	348323	348323	347682	348323	348323	347682	348323
Knob or lever	311061	—	—	373551	—	—	—	—	—	—	—	—

Part No. Model	31738 13SA	31755 42SA	31756 42SA	31760 37SA	31765 37SA	31769 51SA	31776 37SA	31790 PRS3	31791 66SA	31792 66SA	31796 37SA	31803 37SA
Bezel	—	—	—	—	—	347849	—	—	54330310	54330310	—	—
Knob	—	—	—	—	—	54330574	—	—	54330335	54330335	—	—
Contact, horn push or trafficator	348454	311873	311873	348613	—	54330890	—	—	54330890	54330890	348476	54334361
Lever	—	311887	311887	—	—	54330337	—	—	54330331	54330331	—	—
Plate, action	—	—	—	—	—	—	—	—	347738	347738	—	—
Base, contact, or rotor and tube	347924	—	—	348443	348443	54330793	348443	—	54330889	54330889	348443	348443
§Switch, flasher	—	—	—	—	—	—	—	—	31812	—	—	—
Window and/or cover/cowl	—	348511	348511	347573	347573	—	—	—	54330891	54330891	—	—
Shade	—	54330252	54330252	—	—	—	—	—	—	—	—	—
§Bulb	—	280	280	280	280	—	—	—	280	280	—	—
§Bulb holder	—	—	—	347769	348640	—	—	—	—	—	—	—
§Screw, terminal	—	—	—	—	—	—	—	—	132464	—	—	—
§Washer, terminal screw	—	—	—	—	—	—	—	—	185000	—	—	—
Screw or clip, switch fixing	347923	—	—	348442	348442	—	54330333	—	—	—	347923	—
Washer, fixing screw	—	—	—	—	—	—	—	—	—	—	—	—
Spring, fixing, or pawl centering	347682	—	—	348323	348323	—	348323	312068	—	—	348323	348323
Spring, earthing or lever	—	311884	311884	347929	347929	—	—	—	—	—	—	—
Grommet, casing	—	—	—	—	—	348643	—	—	—	—	—	—
Bracket, clamp or fixing	—	—	—	—	—	348642	—	—	54330288	54330288	—	—
§Sundry parts, set	—	—	—	—	—	54330577	—	—	54330892	54330892	—	—

† Knob fixing screw    ‡ Lever and body    § Recommended spares for stock    ¶ Striker 347818 serviced by Vehicle Manufacturer    § Washer, spring, fixing nut

continued

DETAILED SPARE PARTS

Part No. . . . .	31809	31821	31857	31867	31869	31883	31885	31904	31907	31915	31924	31936	31945
Model . . . . .	51SA	51SA	37SA	72SA	PS7	37SA	37SA	TPS1-1	37SA	37SA	37SA	66SA	37SA
Bezel . . . . .	347849	347849	—	—	—	—	—	—	—	—	—	54330310	—
Knob . . . . .	54330574	54330574	—	—	—	—	—	—	—	—	—	54330335	—
		†54330552											
Contact, horn . . . . .	54330890	54330890	—	—	—	348613	—	—	348476	—	348613	54330890	348613
Lever . . . . .	54330337	54330337	—	—	—	—	—	—	—	—	—	54330331	—
Plate, action . . . . .	—	—	—	—	—	—	—	—	—	—	—	54331625	—
Base, contact, or rotor and tube . . . . .	54330794	54330794	348443	—	—	348443	348443	—	348443	348443	348443	54330889	348443
Window and/or cowl . . . . .	—	—	347573	—	—	54331222	54331222	—	—	—	54331222	54330891	54331222
§Bulb . . . . .	—	—	280	—	—	280	280	—	—	—	280	280	280
§Bulb holder . . . . .	—	—	54330988	—	—	347769	348640	—	—	—	347769	—	347769
Connector, Lucar . . . . .	—	—	—	—	—	—	—	199218	—	—	—	—	—
Washer, terminal screw . . . . .	—	—	—	—	—	—	—	185012	—	—	—	—	—
Screw or clip, switch or cover fixing . . . . .	—	—	54330333	—	—	348442	348442	136410	348492	54332441	348442	—	348442
Nut, terminal screw . . . . .	—	—	—	—	—	—	—	54130176	—	—	—	—	—
Spring, horn push, or pawl centering . . . . .	—	—	348323	54332104	—	348323	438323	—	348323	348323	348323	—	348323
Spring, catch or plunger earthing . . . . .	—	—	—	54331088	—	347929	—	311102	—	—	—	—	347929
Nut, fixing . . . . .	—	—	—	—	314017	—	—	311145	—	—	—	—	—
Nut, fixing, rear . . . . .	—	—	—	—	180670	—	—	‡166160	—	—	—	—	—
Washer, spring or shakeproof . . . . .	—	—	—	—	185081	—	—	154606	—	—	—	—	—
Switch, flasher, or spindle and contacts . . . . .	—	311749	—	—	—	—	—	311314	—	—	—	—	—
Pawl or plunger . . . . .	—	322103	—	—	—	—	—	311144	—	—	—	—	—
Felt, valve . . . . .	—	—	—	—	—	—	—	311143	—	—	—	—	—
Grommet, casing . . . . .	348643	—	—	—	—	—	—	—	—	—	—	—	—
Bracket, clamp or fixing . . . . .	348642	—	—	—	—	—	—	—	—	—	—	54330288	—
§Sundry parts, set . . . . .	54330577	54330577	—	—	—	—	—	—	—	—	—	54330892	—

Part No. . . . .	31958	31964	31974	31979	31980	31981	31982	34005	34019	34038	34039	34043
Model . . . . .	PRS3	37SA	CS58A	37SA	37SA	PRS7	PRS7	PLC6	PLC2	PLC6	CRS	PLC6
Knob . . . . .	—	—	‡54332389	—	—	—	—	—	—	344990	347375	—
Lock and driving cup . . . . .	—	—	—	—	—	—	—	345070	345070	345070	—	345070
Contact, horn . . . . .	—	§54333162	—	348476	348476	—	—	—	—	—	—	—
§Contact, switch or base . . . . .	—	54332586	54332390	348443	348443	—	—	—	—	—	347358	—
Rotor . . . . .	—	—	—	—	—	—	—	—	—	—	347361	—
§Switch, trafficator . . . . .	—	—	31379	—	—	—	—	—	—	—	—	—
§Switch, horn push and dipper . . . . .	—	—	31977	—	—	—	—	—	—	—	—	—
§Window, bulb . . . . .	—	—	—	—	—	—	—	—	—	—	—	—
§Bulb . . . . .	—	—	—	—	—	—	—	—	—	—	—	—
§Bulb holder . . . . .	—	—	—	—	—	—	—	—	—	—	—	—
§Screw, terminal . . . . .	—	—	120560	—	—	132464	132464	120560	120560	120560	110774	120560
§Washer, terminal screw . . . . .	—	—	**120610	—	—	185000	185000	—	—	—	188412	—
Screw or clip, switch fixing . . . . .	—	—	††136317	347923	347923	—	—	—	—	—	—	—
			‡‡310207	—	—	—	—	—	—	—	—	—
Spring, fixing, or pawl centering . . . . .	312068	348323	—	348323	348323	—	—	—	—	344197	—	—
Spring, earthing or main . . . . .	—	—	—	—	—	—	—	—	—	—	347372	—
Nut, fixing . . . . .	—	—	—	—	—	182660	182660	—	—	—	—	—
Plate, fixing nut . . . . .	—	—	—	—	—	318428	318428	—	—	—	—	—
Screw, plate fixing . . . . .	—	—	117531	—	—	—	—	—	—	—	—	—

LIGHTING AND DIRECTION INDICATOR SWITCHES

31809 — 34043

Q15

continued

† Flasher switch    § Recommended spares for stock    †† Cover fixing    ‡ And cover    § Warning light    \*\* Screw, terminal    ††† Screw    ‡‡ Clip

DETAILED SPARE PARTS

34054 — 768380

LIGHTING AND DIRECTION INDICATOR SWITCHES

Part No. Model	34054 PLC6	34055 PLC6	34056 PLC6	34063 PLC6	34065 PLC5	34074 CRS2	34090 PLC6	34092 CRS3	34103 CRS3	34314 37SA	†78225 CHR1	†78226 CHR1
Knob or lever	345065	—	—	—	—	347406	—	347527	54330363	—	768378	768473
Screw, knob fixing	—	—	—	—	—	—	—	—	—	—	119347	119347
Lock and driving cup	—	345070	345070	345070	—	—	345070	—	—	—	—	—
Button, horn, or contact, warning light	—	—	—	—	—	347408	—	—	—	54333162	—	—
Bezel, button retaining	—	—	—	—	—	347410	—	—	—	—	—	—
§Contact, switch	—	—	—	—	—	—	—	—	—	54332586	—	—
Base, rotor and tube	—	—	—	—	—	347432	—	‡347526	‡347526	—	—	—
§Screw, terminal	120560	120560	120560	120560	120560	—	120560	—	—	—	135481	135481
§Washer, shakeproof	—	—	—	—	—	—	—	—	—	—	188412	188412
Spring, fixing, or pawl centering	344197	344197	344197	—	344197	—	—	—	—	348323	—	—
Nut, fixing, front	—	—	—	—	—	—	—	—	—	—	183796	183897
Washer, spray	—	—	—	—	—	—	—	—	—	—	185106	185106
Nut, fixing, rear	—	—	—	—	—	—	—	—	—	—	175328	182660
Sundry parts, set	—	—	—	—	—	347444	—	—	—	—	—	—

Part No. Model	†78237 CHR1	78252 CHR1	†78253 CHR1	78279 CHR1	†78291 CHR1	†78294 CHR1	†78299 CHR1	78300 CHR1	78301 CHR1	78311 CHR1	78314 CHR1	78331 CHR1
§Knob	768378	—	768473	—	768883	768378	316478	—	—	—	—	—
Screw, knob fixing	119347	—	119347	—	—	119347	—	—	—	—	—	—
§Screw, terminal	135481	135481	135481	135481	135481	135481	135481	135481	135481	135481	135481	135481
§Washer, shakeproof	188412	188412	188412	188412	188412	188412	188412	188412	188412	188412	188412	188412
Nut, fixing, front	183897	182660	183897	182660	183897	183897	183897	182660	182660	183897	183897	183891
Washer, spring	185106	185106	185106	185106	185106	185106	185106	185106	185106	185106	185106	185106
Nut, fixing, rear	182660	182660	182660	182660	182660	182660	182660	182660	182660	182660	182660	182660

Part No. Model	78336 CHR1	78344 3R	78346 3R	78353 3R	78358 3R	78359 3R	78363 3R	78369 3R	031046 TS1	031218 PS7-1	031296 TPS1	031445 22B	768380 CHR1
Switch only	—	—	—	—	—	—	—	—	—	—	31250	—	—
Lever or knob	—	—	—	—	—	—	—	—	310918	314026	311156	—	768378
§Screw, terminal	135481	132464	132464	132464	161136	161136	132464	132464	—	120560	121610	‡110714	134581
§Washer, terminal screw	188412	185000	185000	185000	185000	185000	185000	185000	—	—	—	‡185040	188412
Nut or bracket, fixing	183891	153601	153601	153601	153631	54130211	183971	153636	—	314017	311145	‡317578	183897
Washer, spring	185106	185106	185106	185106	—	185106	185106	185106	—	185081	185012	—	185106
Nut, fixing, rear	182660	153636	153636	153636	153636	153636	175328	153636	—	180093	‡106734	‡166019	182660
Spindle	—	—	—	—	—	—	—	—	—	—	311128	—	‡119347
Plunger	—	—	—	—	—	—	—	—	—	—	311144	—	—
Spring	—	—	—	—	—	—	—	—	—	—	311102	—	—

† Knob supplied separately    ‡ Rotor only    § Recommended spares for stock    ¶ Bracket parts    †† Screw, lever or knob fixing



# LIGHTING AND DIRECTION INDICATOR SWITCHES



Serviceable spare parts for the following switches consist only of the terminal screw or sleeve and/or fixing nut with or without a washer

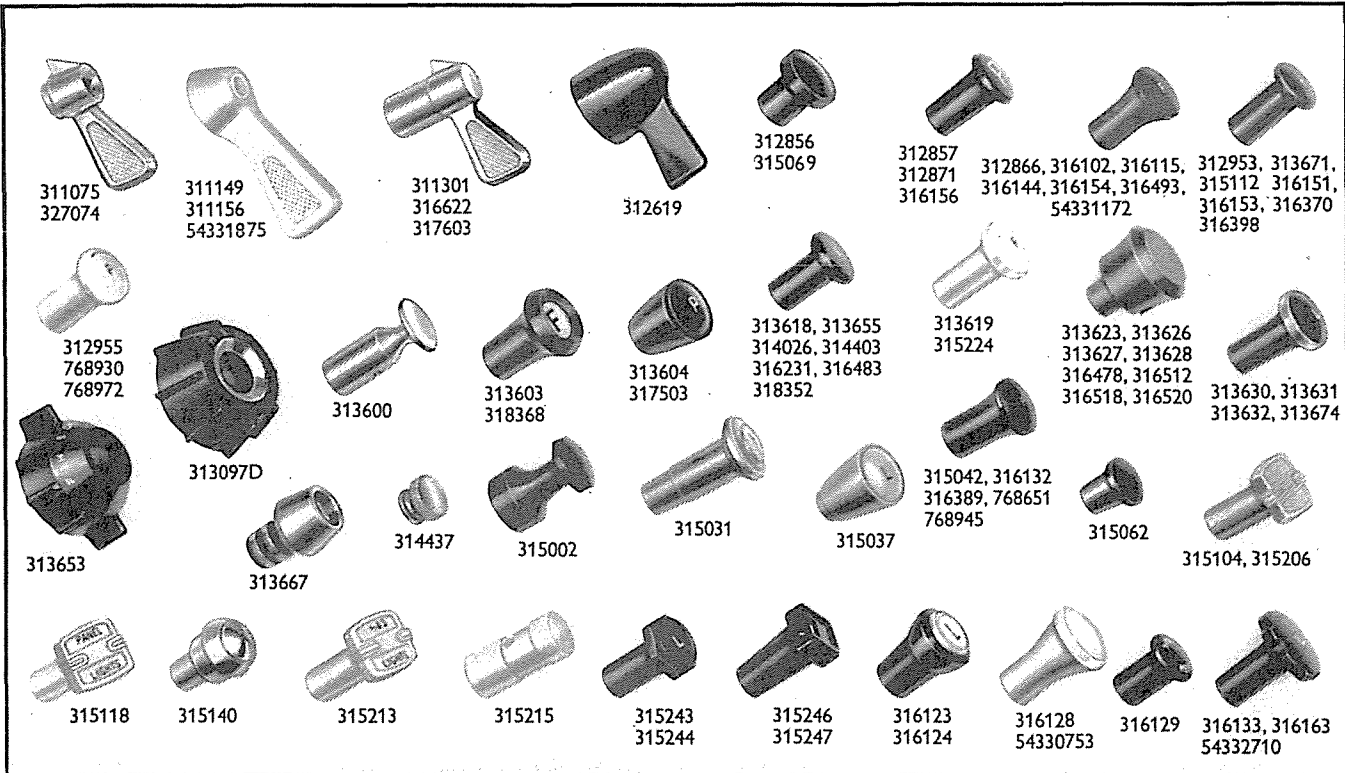
## DETAILED SPARE PARTS

Part No.	Model	§Screw or sleeve, terminal	§Washer, terminal	Nut, fixing	Washer, fixing nut
31044	S37	121610	—	—	—
31056	S37	121610	—	—	—
31073	PS9	120560	—	314540	—
31082	HL2	120560	—	—	—
31091	PPG1	120560	—	316101	—
31093	39C	120560	—	—	—
31113	PS16	120560	—	—	—
31114	PPG2	120560	—	—	—
31120	PS9	120560	—	315307	—
31126	PPG1	120560	—	316101	—
31140	10	120560	—	—	—
31144	39C	120560	—	—	—
31154	PS16	120560	—	—	—
31158	PPG1	120560	—	183897	—
31161	10	120560	—	—	—
31173	PS9	120560	—	315307	—
31183	PPG1	120560	—	315043	—
31192	PS15	†188818	—	315081	—
31194	PRS2	120560	—	—	—
31198	PPG2	120560	—	—	—
31226	FS22-1	132464	185000	—	—
31248	PS19	120560	—	315081	—
31260	PS9	120560	—	315307	—
31277	FS32	132464	185000	—	—
31281	54C	120560	—	—	—
31284	FS22-1	132464	185000	—	—
31316	PS19	120560	—	315081	—
31379	TS82	120560	‡120610	—	—
31382	55C	120560	—	—	—
31440	HL2	120560	—	—	—
31444	PPG1	120560	—	316101	—
31456	PRS9	132464	185000	—	—
31478	SS10	120560	—	—	—
31486	6SA	†188818	—	—	—
31527	PS9	120560	—	314540	—
31528	PS9	120560	—	314540	—
31542	SS10	120560	—	—	—
31571	18SA	—	—	315081	—
31611	TS82	120560	‡120610	—	—
31638	6SA	†188818	—	—	—
31662	10SA	—	—	314017	—
31692	6SA	†188818	—	—	—
31727	52SA	—	—	153601	—
31743	57SA	—	—	153631	54148517
31750	21SA	102766	—	—	—
31780	57SA	—	—	153631	54148517
31788	57SA	—	—	153631	54148517
31793	10SA	—	—	314017	—
31795	FS22-1	132464	185000	—	—
31828	65SA	—	—	153601	54148517
31830	PRS9	132464	185000	—	—
31837	57SA	—	—	153601	54148517
31838	65SA	—	—	54130081	—
31839	57SA	—	—	54130081	—
31840	57SA	—	—	54130081	—
31841	57SA	—	—	54130081	—
31850	57SA	—	—	153601	54148517
31865	6SA	†188818	—	—	—
31898	23SA	—	—	153601	54148517
31946	57SA	—	—	54130281	54148517
31947	57SA	—	—	54130281	54148517
31951	58SA	—	—	153601	185106
31952	PPG1	120560	—	54130291	—
31956	57SA	—	—	153601	54148517
31959	6SA	†188818	—	—	—
31963	65SA	—	—	153601	54148517
31969	57SA	—	—	153601	54148517
31970	58SA	—	—	153601	185106
31986	57SA	—	—	153601	54148517
31987	57SA	—	—	153601	54148517
31995	58SA	—	—	‡54130361	—
78333	4R	—	—	153601	185106
359013	S37	120610	—	—	—
359357	10	120610	—	—	—
359358	10	120610	—	—	—
359671	S37	120610	—	—	—

† Sleeve    ‡ Terminal screw    § Recommended spares for stock    || Nut, terminal



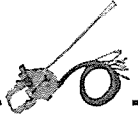
# LIGHTING AND DIRECTION INDICATOR SWITCHES



## KNOBS, HANDLES AND LEVERS

Part No.	Model	Finish	Marking	Method of Fitting	Part No.	Model	Finish	Marking	Method of Fitting
311075	TPS1	C.P. . . . .	—	5 B.A. screw 145600	315031	PPG1	C.P. . . . .	Raised 'L' . . . .	Push on
311149	TPS1	Brown . . . .	—	—	315037	PPG1	Cream . . . .	'L' in maroon . . . .	Push on
311156	TPS1	Cream . . . .	—	5 B.A. screw 107461	315042	PPG1	Brown . . . .	Plain . . . .	Push on
311301	TPS1	C.P. . . . .	—	5 B.A. screw 145591	315062	PS15	Brown . . . .	Plain . . . .	Screw on 6 B.A. thread
312500	PRS7	Black . . . .	'F-H-S-OFF' in white . . . .	Push on	315069	PS15	Black . . . .	Plain . . . .	Screw on 6 B.A. thread
312619	PRS7	Black . . . .	Plain . . . .	Push on	315104	PS16	Golden pearl . . . .	Plain . . . .	Push on
312622	PRS7	Brown . . . .	'F-H-S-OFF' in cream . . . .	Push on	315112	PS16	Black . . . .	'P' in white . . . .	Push on
312856	PS7-1	Black . . . .	Plain . . . .	Screw on	315118	PS16	Ivory . . . .	'PANEL LIGHT' in black . . . .	Push on
312857	PS7-1	Brown . . . .	'P' in cream . . . .	Push on	315140	PS16	C.P. . . . .	Plain . . . .	Push on
312866	PS7	Black . . . .	'F' in white . . . .	Push on	315206	PPG2	Golden pearl . . . .	Plain . . . .	Push on
312871	PS7	Black . . . .	'P' in white . . . .	Push on	315213	PPG2	Mottled ivory . . . .	'H' and 'S' lights . . . .	Push on
312953	PS7	Black . . . .	'R' in white . . . .	Push on	315215	PPG2	Mottled cream . . . .	Plain . . . .	Push on
312955	PS7	Cream . . . .	'P' in black . . . .	Push on	315224	PPG2	Mottled ivory . . . .	'L' in old gold . . . .	Push on
313097	PRS7	Black . . . .	'H-S-O' and 'Lights' in white . . . .	Push on	315228	PPG2	Brown . . . .	'L' in cream . . . .	Push on
313600	PS7	Satin chrome . . . .	Plain . . . .	Push on	315242	PPG2	Black . . . .	'PANEL INT' in white . . . .	Push on
313603	PS7	Black . . . .	Black 'F' on diakon disc . . . .	Push on	315243	PPG2	Black . . . .	'L' in white . . . .	Push on
313604	PS7	Black . . . .	'P' in ivory . . . .	Screw on	315244	PPG2	Black . . . .	'F' in white . . . .	Push on
313618	PS7	Black . . . .	'F' in white . . . .	Push on	315246	PPG3	Black . . . .	'P' in ultra violet paint . . . .	Push on
313619	PS7	Cream . . . .	'F' in black . . . .	Push on	315247	PPG2	Black . . . .	'L' in ultra violet paint . . . .	Push on
313623	PPG2	Black . . . .	'Fog' in white . . . .	Push on	315951	PS7	Black . . . .	Plain . . . .	Screw on
313626	PS16	Black . . . .	'Maplight' in white . . . .	Push on	316102	PPG1	Black . . . .	Plain . . . .	Push on
313627	PS16	Black . . . .	'Interior Light' in white . . . .	Push on	316115	PPG1	Brown . . . .	'L' in white . . . .	Push on
313628	CHR1 and 3R	Black . . . .	'Panel' and an arrow in white . . . .	Push on	316123	PPG1	Black . . . .	Black 'L' on ivory . . . .	Push on
313630	PPG1	Black; C.P. bezel . . . .	'L' in white . . . .	Push on	316124	PPG1	Brown . . . .	Black 'P' on ivory . . . .	Push on
313631	PPG1	Black; C.P. bezel . . . .	'F' in white . . . .	Push on	316128	PPG1	Stone grey . . . .	Plain . . . .	Push on
313632	PS7	Black; C.P. bezel . . . .	'P' in white . . . .	Push on	316129	PPG1	Black . . . .	'SIDE-HEAD' in white . . . .	Push on
313653	PRS7	Black . . . .	'F-H-S-OFF' in white . . . .	Push on	316132	PPG1	Brown . . . .	'P' in cream . . . .	Push on
313655	PS19	Black . . . .	'P' in white . . . .	Push on	316133	PPG1	Black . . . .	'L' in white . . . .	Push on
313667	10SA	C.P. . . . .	White 'L' on black cap . . . .	Push on	316134	PPG1	Black . . . .	'F' in white . . . .	Push on
313671	PS7	Black . . . .	'I' in white . . . .	Push on	316135	PPG1	Black . . . .	'P' in white . . . .	Push on
313674	PS7	Black; C.P. bezel . . . .	'LR' in white . . . .	Push on	316136	PPG1	Black . . . .	'L' in white . . . .	Push on
314026	PS7-1	Black . . . .	Plain . . . .	Screw on	316137	PPG1	Black . . . .	'P' in white . . . .	Push on
314403	PS7-1	Black . . . .	'Fog' in white . . . .	Screw on	316140	PPG1	Black . . . .	'F' in white . . . .	Push on
314427	PS7	Brown . . . .	Sunken 'P' . . . .	Screw on	316141	PPG1	Black . . . .	'L' in white . . . .	Push on
314437	PS7-1	C.P. . . . .	Plain . . . .	Screw on	316144	PPG1	Cream . . . .	'L' in black . . . .	Push on
315002	PPG1	Black . . . .	Plain . . . .	Grub screw	316146	PPG1	Cream; C.P. bezel . . . .	'L' in red . . . .	Push on
					316147	PPG1	Cream; C.P. bezel . . . .	'F' in red . . . .	Push on
					316151	PPG1	Black . . . .	'L' in white . . . .	Push on
					316153	PPG1	Cream . . . .	'F' in brown . . . .	Push on

# LIGHTING AND DIRECTION INDICATOR SWITCHES



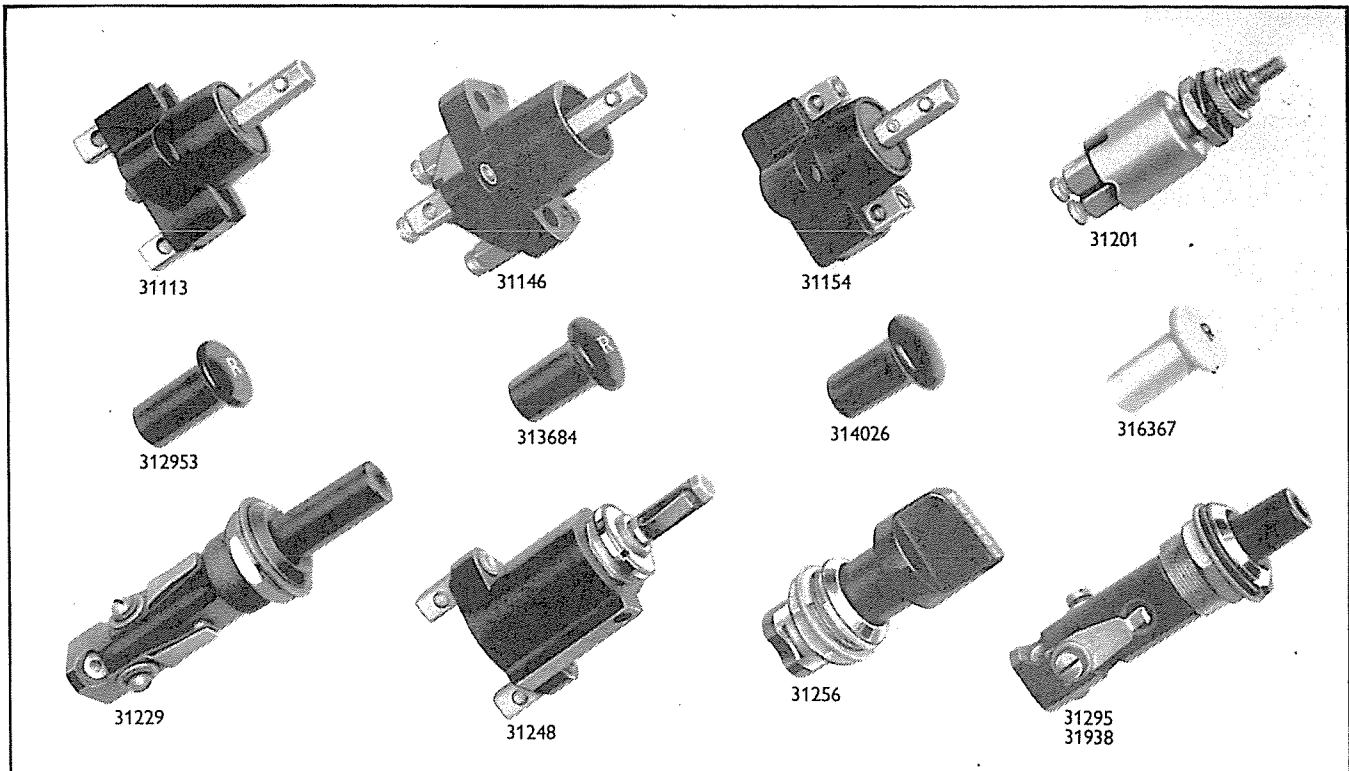
## KNOBS, HANDLES AND LEVERS—continued

Part No.	Model	Finish	Marking	Method of Fitting	Part No.	Model	Finish	Marking	Method of Fitting
316154	PPG1	Black .. ..	'L' in white ..	Push on	318386	PS7-1	Ivory .. ..	'P' in black ..	Screw on
316155	PPG1	Ivory .. ..	'L' in black ..	Push on	318475	PRS7	Black .. ..	'LIGHTS' in white	Push on
316156	PPG1	Black .. ..	'L' in white ..	Push on	327074	S37	Chrome .. ..		
316163	PPG1	Black .. ..	Plain .. ..	Push on	345096	PLC6	Black .. ..	'HEAD-SIDE-OFF' in white	Secured by switch bezel
316231	PS7-1	Ivory .. ..	Plain .. ..	Screw on	768378	CHR1	Brown .. ..	An arrow in white..	Grub screw
316276	PRS2	Mottled cream	'H-S-OFF' in black	Push on	768526	CHR1	White .. ..	Arrow in black ..	Push on
316285	PRS2	Black .. ..	'H-S-OFF' in white	Push on	768540	CHR1	Mottled ivory	'P' and an arrow in old gold ..	Push on
316286	PRS2	Grey .. ..	'H-S-OFF' in white	Push on	768642	CHR1	Black .. ..	'PANEL' and an arrow in white ..	Push on
316287	PRS2	Brown .. ..	'H-S-OFF' in cream	Push on	768651	CHR1	Brown .. ..	'P' and arrow in white ..	Grub screw
316370	—	Black .. ..	'Fog' in white ..	Push on	768662	CHR1	Brown .. ..	'P' in white ..	Grub screw
316389	PS19	Brown .. ..	'F' in cream ..	Push on	768883	CHR1	Black .. ..	'PANEL' in white..	Push on
316390	—	Black .. ..	'A' in white ..	Push on	768913	CHR1	Black .. ..	'OFF-DIM-PANEL' in white ..	Grub screw
316398	PPG1	Cream .. ..	'L' in brown ..	Push on	768930	CHR1	Cream .. ..	'P' and an arrow in black ..	Push on
316420	PRS3	Black .. ..	'O-S-H-LIGHTS' in white ..	Push on	768945	CHR1	Black .. ..	'P' and an arrow in white ..	Push on
316434	PRS3	Black .. ..	'ON' in white ..	Spring loaded	768972	CHR1	Cream .. ..	'P' in black ..	Push on
316435	PRS3	Black .. ..	'H-S-OFF' in white	Push on	768975	CHR1	Black .. ..	'P' in white ..	Push on
316449	PRS3	Black .. ..	'H-S-OFF' in white	Push on	769064	CHR1	Black .. ..	'OFF-DIM-PANEL' in white ..	Push on
316478	PS16	Grey .. ..	Plain .. ..	Push on	54330740	PPG1	Black .. ..	'L' in white ..	Push on
316483	PS16	Cream .. ..	'P' in brown ..	Push on	54330749	PPG1	Pebble grey ..	'L' in black ..	Push on
316487	PS16	Black .. ..	'MAP' in white ..	Push on	54330752	CHR1	Black .. ..	'PANEL-ON-OFF-DIM' in white ..	Push on
316493	PS16	Black .. ..	'P' in white ..	Push on	54330753	PPG1	Stone grey ..	Plain .. ..	Push on
316494	PS16	Black .. ..	'P' in white ..	Push on	54330756	PPG1	Clay pipe grey	'L' in black ..	Push on
316512	PS16	Golden pearl	Plain .. ..	Push on	54330759	PRS7	Black .. ..	'L' in white ..	Push on
316518	CHR1	Black .. ..	An arrow in white..	Push on	54330880	PPG1	Grey .. ..	'LIGHTS' and 'PANEL' in white	Push on
316520	Various	Black .. ..	Plain .. ..	Push on	54331118	PS7	Grey .. ..	'PANEL' in white..	Push on
316622	PRS5	C.P. .. ..	Plain .. ..	Push on	54331172	PS7	Black .. ..	'P' in white ..	Push on
316637	PRS5	Brown .. ..	'F-H-S-OFF' in cream .. ..	Push on	54331190	PPG1	Coffee .. ..	'LIGHTS' in white	Push on
316686	PS20	Black .. ..	'LAMPS' in white..	Push on	54331875	TPS1	Black .. ..	—	5 B.A. screw 107461
317508	PS7-1	Ivory .. ..	'P' in black ..	Screw on	54332270	PRS7	C.P. .. ..	Plain .. ..	Push on
317524	PS16	Mottled cream	'P' in red .. ..	Push on	54332327	3R	Black .. ..	'PANEL' and a double-headed arrow in white ..	Push on
317532	PS7-1	Black .. ..	'PANEL' in white..	Push on	54332509	PS7	Black .. ..	'P' in white ..	Push on
317603	PRS5	C.P. .. ..	Plain .. ..	Push on	54332710	10SA	Black .. ..	'L' in white ..	Push on
317662	PPG2	Cream; C.P. bezel..	'L' in red .. ..	Push on					
317663	PPG2	Mottled cream; C.P. bezel..	'F' in red .. ..	Push on					
318173	PPG2	Black .. ..	'L' in white ..	Push on					
318174	PRS7	Black .. ..	'H-S-O' and 'LIGHTS' in white	Push on					
318305	PRS7	Black .. ..	'LAMPS' and arrow in white ..	Push on					
318352	PS7	Black .. ..	'LR' in white ..	Screw on					
318368	PS7-1	Black .. ..	Black 'P' on diakon disc ..	Push on					

C.P. .. Chromium plated



# FUEL AND OIL SWITCHES



## Descriptive Reference

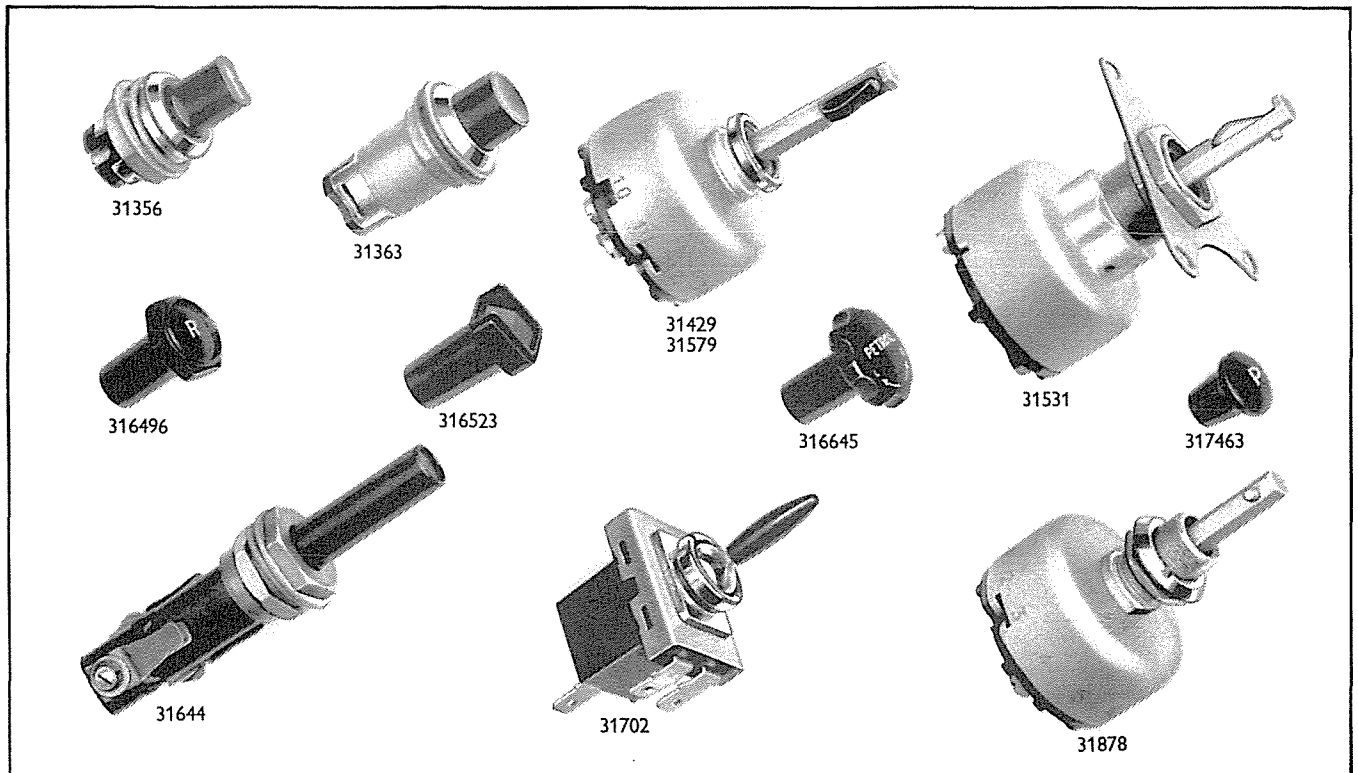
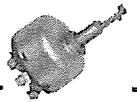
Part No.	Model	Action	Finish	Fixing	Special Features
31113	PS16	Pull on-push off	—	Single hole	Less knob; moulded body.
31146	PS17	Pull on-push off	—	Two hole	Less knob; moulded body.
31154	PS16	Pull on-push off	—	Single hole	As 31113, but terminals reversed.
31201	PS7-1	Pull on-push off	C.P. fixing nut	Single hole	Short thread for metal panel.
31229	PS5	Push	Black fixing nut	Single hole	Black knob.
31248	PS19	Pull on-push off	C.P. fixing nut	Single hole	Less knob; moulded body.
31256	PS6	Rotary on-off	C.P. fixing nut	Single hole	Black knob.
31295	PS5	Push	C.P. fixing nut	Single hole	Black knob.
31356	PS6	Rotary on-off	C.P. fixing nut	Single hole	Black knob with white arrow.
31363	SS5	Push	C.P. fixing nut	Single hole	Plain black knob; for wooden panel fitting.
31429	PRS7	Rotary on-off	C.P. fixing nut	Single hole	Less knob.
31531	S60	Rotary on-off	Special	Three hole flange	For Rolls-Royce.
31579	PRS7	Rotary three way	Special	Single hole	Less knob; for Rolls-Royce.
31644	PS5	Push	Special	Single hole	For Rolls-Royce.
31702	57SA	Toggle	C.P. fixing nut	Single hole	1" long black knob.
31878	PRS7	Rotary on-off	C.P. fixing nut	Single hole	Less knob; as 31429, but longer fixing bush.
31938	PS5	Push	Special	Single hole	For Rolls-Royce.

## KNOBS

Part No.	Model	Finish	Marking	Method of Fixing	Part No.	Model	Finish	Marking	Method of Fixing
312953	PS7	Black	'R' in white .. .. .	Fixing screw	316496	PS16	Black	'R' in white .. .. .	Push on
313684	PS7	Black	'R' in white .. .. .	Push on	316523	PS16	Black	'R' in ultra violet paint ..	Push on
314026	PS7-1	Black	Plain .. .. .	Screw on	316645	PRS5	Black	'PETROL-L-R' in white ..	Push on
316215	PS7-1	Cream	'R' in brown .. .. .	Screw on	317463	PS5	Brown	'P' in cream .. .. .	Screw on 6 B.A. thread
316367	PS19	Cream	'R' in black .. .. .	Push on					

C.P. .. Chromium plated

# FUEL AND OIL SWITCHES



## DETAILED SPARE PARTS

Part No.	Model	Nut, fixing	Nut, fixing, rear	Washer, flat	Washer, spring	§Screw, terminal	§Washer, terminal screw
31113	PS16	—	—	—	—	120560	—
31146	PS17	—	—	—	—	120560	—
31154	PS16	—	—	—	—	120560	—
31201	PS7-1	314017	180093	—	185081	120560	—
31229	PS5	180670	—	158350	185188	117980	185000
31248	PS19	315081	—	—	—	120560	—
31256	PS6	180670	—	158350	185188	121610	—
31295	PS5	180670	—	158350	185188	117980	185000
31356	PS6	180670	—	158350	185188	121610	—
31363	SS5	180670	—	158350	185188	120584	—
31429	PRS7	182668	—	—	—	132464	185000
31531	S60	156570	—	—	—	132464	188412
31579	PRS7	182660	—	—	—	132464	185000
31644	PS5	180670	—	158350	185188	117980	185000
31702	57SA	153601	—	—	185106	—	—
31878	PRS7	318192	182998	—	185106	135464	185000
31938	PS5	180670	—	158350	185188	117980	185000



# STANDARDISATION OF PLC SWITCHES

The Lucas PLC Switchbox has been supplied as initial equipment for a number of years, and during that time its design has remained basically the same. In view of this, and to prevent carrying unnecessary stocks of individual switches, we have been continually working towards a standard switch for service replacements. We realise that the customer expects a switch which is similar in appearance to the original unit, and this point has been carefully borne in mind whilst standardising. Two types of switch are involved; they are:

## 1. Switches with non-detachable knob and dial

Standard switches of this type are listed below, together with the initial equipment they replace. Descriptions and photographs have been added (in Part I) to aid in identification.

## 2. Switches with detachable knob and dial

In this case, one standard switch unit will replace the complete range and, if the customer requires a new knob or dial, suitable replacements are available.

This standard switch is described and illustrated (in Part II) and a list of replacement knobs has been included.

## PART I

### List of standard switches for replacement

These switches cannot be stripped down for service purposes and replacement switches are supplied complete with dial, knob and keys where applicable.

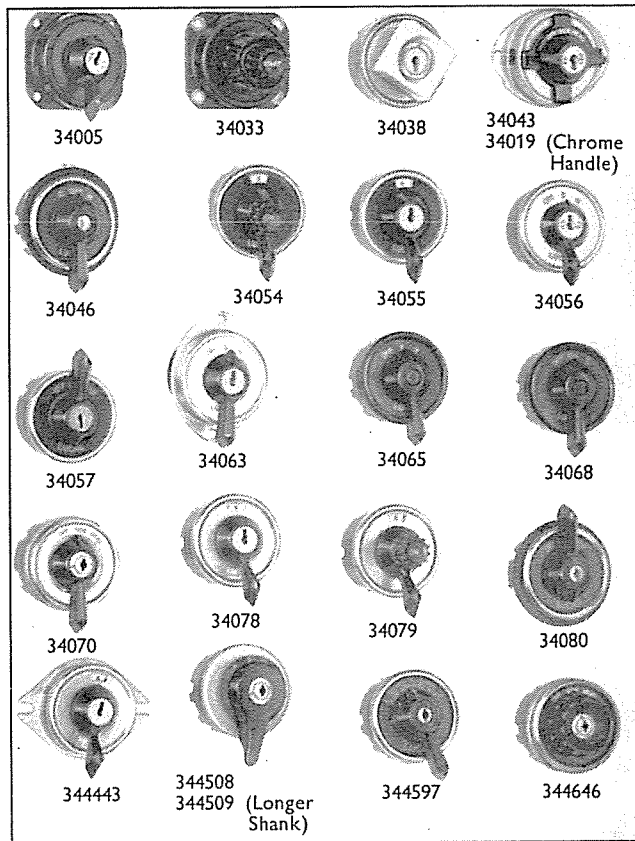
Part No. of Original Fitting	Replaced by Part No.	Part No. of Original Fitting	Replaced by Part No.
34002	34055	34056	—
34004	34056	34057	—
34005	—	34058	34065
34006	34056	34059	34056
34009	34056	34062	34056
34010	34043	34063	—
34011	34043	34065	—
34014	34055	34068	—
34015	031366	34070	34056
34016	34056	34072	—
34017	34057	34075	34055
34018	34055	34078	—
34019	—	34079	—
34020	34054	34080	—
34021	34055	031366	—
34022	34054	344443	—
34024	34055	344472	34055
34026	34055	344484	34055
34027	34078	344508	—
34028	34056	344509	—
34031	34065	344528	34055
34032	34056	344540	34055
34033	—	344544	34065
34035	34055	344597	—
34036	031366	344646	—
34037	031366	344669	34080
34038	—	344694	34078
34041	34055	344887	34055
34042	34055	344889	34055
34043	—	344890	031366
34046	—	344910	34054
34049	34054	344920	34054
34054	—	344927	34078
34055	—	344928	34079

Note—Where no replacement is shown, stocks are carried of the original fitting.

The following is a general description of these standard switches:

**Model PLC6 Part No. 34005.** 3-position switch (OFF, SIDE, HEAD) with brown dial and upswept knob; no lettering on dial (switch positions marked on panel); four hole flange fitting; complete with lock and keys.

**Model PLC2 Part No. 34019.** 4-position switch (LOW, HIGH, SIDE, HEAD) with special C.P. dial and handle; two hole flange fitting; complete with lock and keys (similar in appearance to 34043).



**Model PLC6 Part No. 34033.** 3-position switch (OFF, SIDE, HEAD) with large black knob, inset with ignition knob marked with white lettering 'START'; no lettering on dial (switch positions marked on panel); four hole flange fixing.

**Model PLC6 Part No. 34038.** 3-position switch (OFF, SIDE, HEAD) with large square knob; no lettering on dial (switch positions marked on panel); complete with lock and keys.

**Model PLC6 Part No. 34043.** 3-position switch (OFF, SIDE, HEAD) with special black dial and handle marked with white lettering; two hole flange fixing; complete with lock and keys.

**Model PLC5 Part No. 34046.** 3-position switch (COIL, OFF, MAGNETO) with black dial and handle and C.P. bezel; white lettering on dial; no lock or keys (similar in appearance to 34065).

**Model PLC6 Part No. 34054.** 3-position switch (OFF, SIDE, HEAD) with black dial and upswept handle and C.P. bezel; black lettering on white slide and ignition knob marked 'ON'.  
Replaces: 34020, 34022, 34049.

**Model PLC6 Part No. 34055.** 3-position switch (OFF, SIDE, HEAD) with black dial and upswept handle and C.P. bezel; black lettering on white slide; complete with lock and keys.  
Replaces: 34002, 34014, 34018, 34026, 34035, 34075.

**Model PLC6 Part No. 34056.** 3-position switch (OFF, SIDE, HEAD) with cream dial and upswept handle and C.P. bezel; brown lettering; complete with lock and keys.  
Replaces: 34006, 34009, 34059, 34062.

continued

# STANDARDISATION OF PLC SWITCHES



**Model PLC6 Part No. 34057.** 3-position switch (OFF, LOW, HIGH) with black dial and handle and C.P. bezel; white lettering; complete with lock and keys (similar in appearance to 34080).  
*Replaces:* 34017.

**Model PLC6 Part No. 34063.** 3-position switch (OFF, SIDE, HEAD) with cream dial and C.P. bezel; brown lettering and handle; two hole flange fixing; complete with lock and keys.

**Model PLC5 Part No. 34065.** 3-position switch (OFF, SIDE, HEAD) with black dial and handle; white lettering on dial; no lock or keys.  
*Replaces:* 34031, 34058.

**Model PLC5 Part No. 34068.** 3-position switch (OFF, CHARGE, LIGHTS) with black dial and handle; white lettering on dial; no lock or keys (similar in appearance to 34065).

**Model PLC5 Part No. 34070.** 4-position switch (LOW, HIGH, SIDE, HEAD) with black handle, cream dial and C.P. bezel; complete with lock and keys (similar in appearance to 34080).

**Model PLC2 Part No. 34078.** 4-position switch (1, 2, SIDE, HEAD) with C.P. dial and bezel; black upswept handle; black lettering on white slide; complete with lock and keys (similar in appearance to 34055).  
*Replaces* 344694, 344927.

**Model PLC2 Part No. 34079.** 4-position switch (1, 2, SIDE, HEAD) with C.P. dial and bezel; black upswept handle and ignition knob; black lettering on white slide (similar in appearance to 34054).  
*Replaces* 344928.

**Model PLC5 Part No. 34080.** 3-position switch (OFF, LOW, HIGH) with black dial and handle; white lettering on the dial; spade type lock; supplied complete with keys.

**Model PLC6 Part No. 031366.** Comprises 3-position switch 34055 and flanged fixing plate 344931.

**Model PLC2 Part No. 344443.** 4-position switch (1, 2, SIDE, HEAD) with C.P. dial and bezel; black upswept handle; black lettering on white slide; complete with lock and keys.

**Model PLC5 Part No. 344508.** 4-position switch (HEAD, SIDE, FULL CHARGE, HALF CHARGE); special black handle with white lettering; complete with lock and keys.

**Model PLC5 Part No. 344509.** 3-position switch (HEAD, SIDE, OFF); special black handle with white lettering; complete with lock and keys.

**Model PLC5 Part No. 344597.** 4-position switch (LOW, HIGH, SIDE, HEAD) with black dial, handle and C.P. bezel; white lettering on dial; complete with lock and keys (similar in appearance to 34080). *Special for Magneto.*

**Model PLC5 Part No. 344646.** 3-position switch (OFF, SIDE, HEAD) with black dial, large knob and C.P. bezel; white lettering on dial; complete with lock and keys.

## PART II

The **Standard Switch** for replacing those with detachable knob and dial is **Model PLC6 Part No. 34090.**

It is a 3-position switch (OFF, SIDE, HEAD) supplied complete with lock and keys, and will replace the following:

34023	34050	34066	34081
34025	34051	34067	34084
34034	34052	34071	344874
34047	34061	34073	344924

The switch is more likely to require replacement than the knob or dial, and is supplied separately. But if the customer requires a new knob or dial, those available for use with the standard switch are listed below:

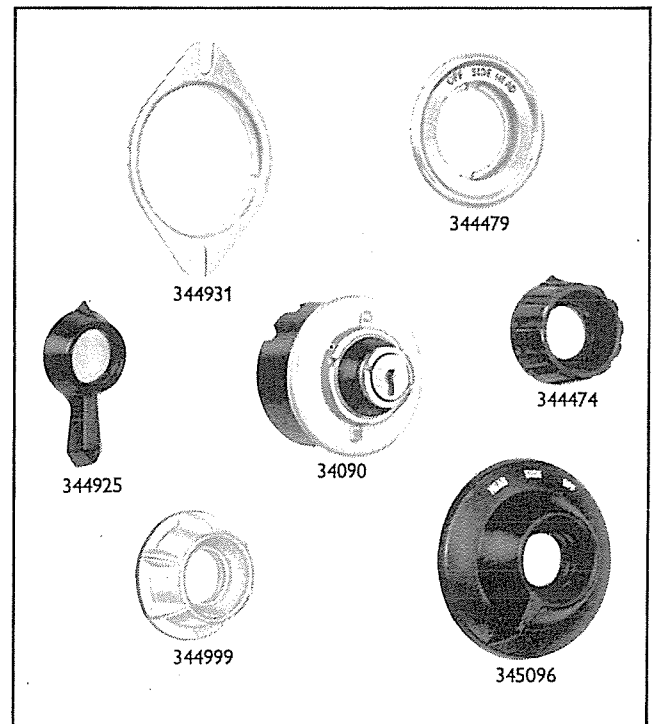
### Knobs

- 344474—Black bakelite, with pointer.  
(replaces knob fitted to switches 34025, 34071, 34084).
- 344925—Black bakelite, with handle and pointer.  
(replaces knob fitted to switch 34081).
- 344999—Cream finished diecasting, with cut-away.  
(replaces knob fitted to switches 34023, 34034, 34050).
- 345096—Black bakelite (with 'HEAD', 'SIDE', 'OFF' marked in white).  
(replaces knob fitted to switches 34052, 34061, 34067, 34073).

### Dial

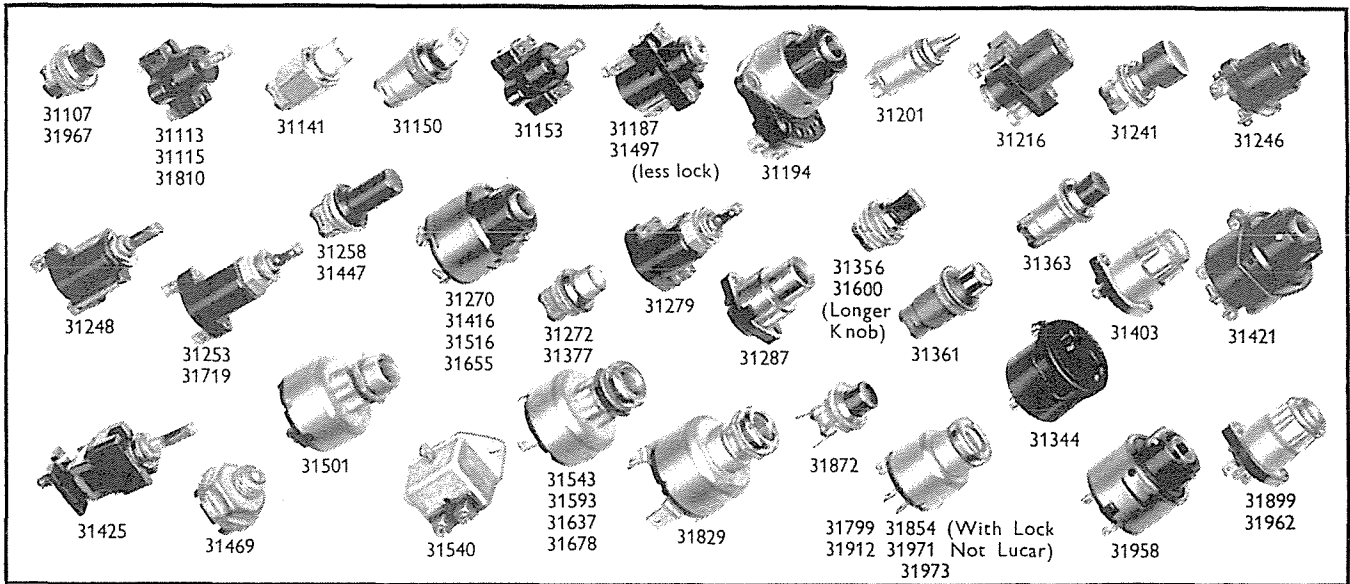
- 344479—C.P., with 'OFF', 'SIDE', 'HEAD' marked in black.

*Note.*—Flange No. 344931 can be used to fit all flange fixing type switches in this range.





# IGNITION AND STARTING SWITCHES

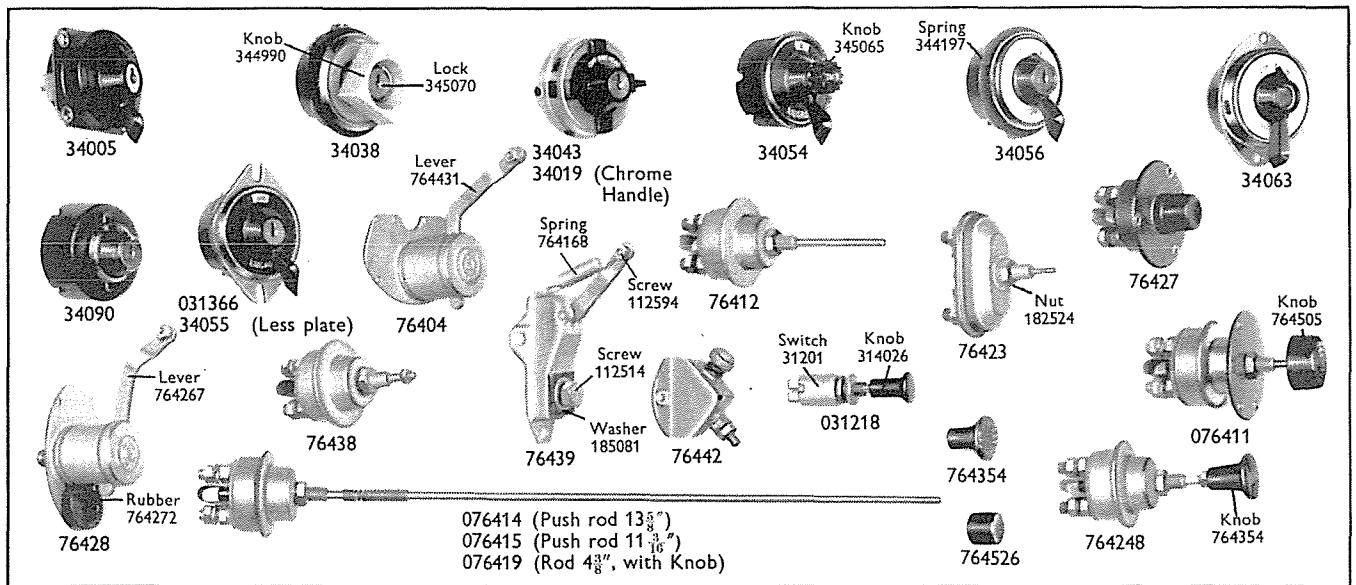


## Descriptive Reference

Part No.	Model	Usage	Action	Fixing	Special Features
31107	SS5	Solenoid operating .. ..	Push .. ..	Single hole ..	Plain walnut knob; short thread.
31113	PS16	Solenoid operating .. ..	Pull on-push off ..	Single hole ..	Less knob; moulded body.
31115	SS8	Solenoid operating .. ..	Push .. ..	Single hole ..	Less knob; moulded body.
31141	SS5	Solenoid operating .. ..	Push .. ..	Single hole ..	Ivory knob, marked 'S' in black; hexagonal metal body.
31150	SS5	Solenoid operating .. ..	Push .. ..	Single hole ..	Rectangular cream knob, marked 'S' in maroon; long thread.
31153	SS8	Solenoid operating .. ..	Push .. ..	Single hole ..	As 31115, but terminals reversed.
31187	S55	Ignition .. ..	Rotary on-off ..	Two hole ..	Moulded body; lock and keys.
31194	PRS2	Ignition and lighting ..	Rotary three way ..	Two hole ..	Less lock; metal clad; brown bakelite.
31201	PS7-1	Ignition or choke warning light	Pull on-push off ..	Single hole ..	Less knob.
31216	S55	Ignition .. ..	Rotary on-off ..	Two hole ..	As 31187, but terminals reversed.
31241	SS5	Solenoid operating .. ..	Push .. ..	Single hole ..	Black cheeshead knob, marked 'START' in white.
31246	S56	Ignition .. ..	Rotary on-off ..	Two hole flange	For double panel plate fixing; black.
31248	PS19	Choke warning light .. ..	Pull on-push off ..	Single hole ..	Less knob; moulded body.
31253	SS9	Solenoid operating .. ..	Push .. ..	Single hole ..	Moulded body.
31258	SS5	Solenoid operating .. ..	Push .. ..	Single hole ..	Plain black knob; short thread.
31270	PRS3	Ignition and lighting ..	Rotary three way ..	Circlip ..	Less lock and keys; black dial.
31272	SS5	Solenoid operating .. ..	Push .. ..	Single hole ..	Ivory knob.
31279	SS9	Solenoid operating .. ..	Push .. ..	Single hole ..	Moulded body; as 31253, but terminals reversed.
31287	S45	Ignition .. ..	Rotary on-off ..	Two hole flange	Less lock and keys.
31344	S50	Ignition .. ..	Rotary on-off ..	Spring circlip	—
31356	PS6	Ignition .. ..	Rotary on-off ..	Single hole ..	Black knob, with white arrow.
31361	S55	Solenoid operating .. ..	Push .. ..	Single hole ..	C.P. knob; long thread.
31363	SS5	Solenoid operating .. ..	Push .. ..	Single hole ..	Plain black knob; long thread.
31377	SS5	Solenoid operating .. ..	Push .. ..	Single hole ..	Ivory knob, marked 'S' in black.
31403	S45	Ignition .. ..	Rotary on-off ..	Single hole ..	As 31287 except for fixing method.
31416	PRS3	Ignition and lighting ..	Rotary three way ..	Circlip ..	No lock; C.P. cover.
31421	PRS3	Ignition and lighting ..	Rotary three way ..	Circlip ..	Less lock; black bezel.
31425	PHS1	Heater plug .. ..	Push .. ..	Single hole ..	Less knob.
31447	SS5	Solenoid operating .. ..	Push .. ..	Single hole ..	As 31258, but grey knob.
31469	SS10	Choke .. ..	Push .. ..	Screw in ..	—
31497	S55	Ignition .. ..	Rotary on-off ..	Two hole ..	Less lock.
31501	S60	Ignition and starting ..	Rotary four way ..	Single hole ..	Less lock.
31516	PRS3	Ignition and lighting ..	Rotary three way ..	Circlip ..	Less lock; three positions, 'OFF-SIDE-HEAD'.
31540	S4C	Choke .. ..	Pull .. ..	Two hole ..	—
31543	S60	Ignition and starting ..	Rotary three way ..	Single hole ..	Less lock.
31593	S60	Ignition and starting ..	Rotary three way ..	Single hole ..	Less lock.
31600	PS6	Ignition .. ..	Rotary on-off ..	Single hole ..	Short body; plain black knob.
31637	S60	Ignition and starting ..	Rotary four way ..	Single hole ..	Less lock.
31655	PRS3	Ignition and lighting ..	Rotary three way ..	Circlip ..	Three positions, 'OFF-SIDE-HEAD'.
31678	S60	Ignition and starting ..	Rotary four way ..	Single hole ..	Less lock.
31719	SS9	Solenoid operating .. ..	Push .. ..	Single hole ..	As 31523, but with silver contacts.
31781	S60	Ignition and starting ..	Rotary three way ..	Single hole ..	Less lock; Lucar connectors; similar to 31543.
31799	47SA	Ignition and starting ..	Rotary three way ..	Single hole ..	Lucar connectors.
31810	SS8	Solenoid operating .. ..	Push .. ..	Single hole ..	As 31115, but 24 volt.
31829	70SA	Diesel heater .. ..	Rotary five way ..	Single hole ..	Less lock; Lucar connectors.
31854	70SA	Starter and heater .. ..	Rotary four way ..	Single hole ..	With lock.



# IGNITION AND STARTING SWITCHES

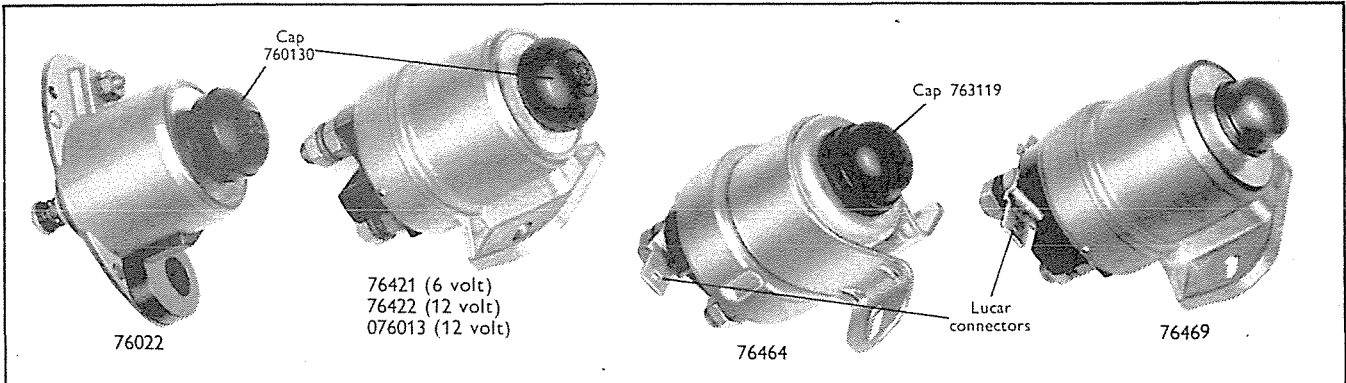


## Descriptive Reference—continued

Part No.	Model	Usage	Action	Fixing	Special Features
31872	SS5	Solenoid operating .. ..	Push .. ..	Single hole ..	Lucar connectors.
31899	S45	Ignition .. ..	Rotary on-off ..	Single hole ..	As 31403, but with Lucar terminals.
31912	47SA	Ignition and starting .. ..	Rotary four way	Single hole ..	Lucar connectors.
31931	TOS1	Choke warning light .. ..	Push .. ..	Single hole ..	Hexagonal body.
31958	PRS3	Ignition and lighting .. ..	Rotary three way	Circlip ..	Less lock; Lucar connectors.
31962	S45	Ignition .. ..	Rotary on-off ..	Two hole ..	Less lock; C.P. bezel; Lucar connectors.
31967	SS5	Solenoid operating .. ..	Push .. ..	Single hole ..	Black knob.
31971	47SA	Ignition and starting .. ..	Rotary four way	Single hole ..	Lucar connectors.
31973	47SA	Ignition and starting .. ..	Rotary three way	Single hole ..	Lucar connectors.
34005	PLC6	Ignition and lighting .. ..	Rotary three way	Four hole ..	No lettering; brown dial.
34019	PLC2	Ignition and lighting .. ..	Rotary three way	Two hole ..	Marked 'OFF-SIDE-HEAD'; C.P. dial and handle.
34038	PLC6	Ignition and lighting .. ..	Rotary three way	Single hole ..	No marking; square, ivory knob.
34043	PLC6	Ignition and lighting .. ..	Rotary three way	Two hole ..	Marked 'OFF-SIDE-HEAD'; black finish.
34054	PLC6	Ignition and lighting .. ..	Rotary three way	Circlip ..	Marked 'OFF-SIDE-HEAD'; black knob, marked 'ON'.
34055	PLC6	Ignition and lighting .. ..	Rotary three way	Circlip ..	Marked 'OFF-SIDE-HEAD'; black handle.
34056	PLC6	Ignition and lighting .. ..	Rotary three way	Circlip ..	Marked 'OFF-SIDE-HEAD' in brown; cream dial; brown handle.
34063	PLC6	Ignition and lighting .. ..	Rotary three way	Two hole ..	Marked 'OFF-SIDE-HEAD' in brown; cream dial; brown handle.
34090	PLC6	Ignition and lighting .. ..	Rotary three way	Circlip ..	Less handle; complete with lock.
34258	47SA	Ignition and starting .. ..	Rotary four way	Single hole ..	Lucar connectors; similar to 31912 but spring collar.
34264	47SA	Ignition and starting .. ..	Rotary three way	Single hole ..	Lucar connectors; similar to 31973 but for marking on base spacer.
34299	70SA	Diesel heater .. ..	Rotary five way	Single hole ..	Lucar connectors; similar to 31829 but with separate feed for auxiliaries.
76404	ST10	Starting motor .. ..	Pull .. ..	Four hole ..	Wire control operated.
76412	ST18	Starting motor .. ..	Push .. ..	Single hole ..	Less knob.
76423	ST19-2	Starting motor .. ..	Pull .. ..	Single hole ..	—
76427	ST18	Starting motor .. ..	Push .. ..	Three hole ..	Diecast knob; for foot operation.
76428	ST10	Starting motor .. ..	Pull .. ..	Four hole ..	Wire control operated; as 76404 except for crank of lever.
76438	ST18-1	Starting motor .. ..	Push .. ..	Single hole ..	—
76439	ST9	Starting motor .. ..	Pull .. ..	Three hole ..	Mounted to yoke of starting motor.
76442	4SA	Starting motor .. ..	Push .. ..	Two hole ..	Mounted on starter yoke.
031218	PS7-1	Ignition or choke warning light .. ..	Pull on—push off	Single hole ..	Comprises switch 31201 and knob 314026.
031366	PLC6	Ignition and lighting .. ..	Rotary three way	Adaptor plate	Comprises switch 34055 and adaptor plate 344931.
076411	ST18	Starting motor .. ..	Push .. ..	Single hole ..	Black metal knob; foot operated.
076414	ST18	Starting motor .. ..	Push .. ..	Single hole ..	As 76438, but complete with push rod and spring, 13 5/8" long.
076415	ST18	Starting motor .. ..	Push .. ..	Single hole ..	As 76438, but complete with push rod and spring, 11 1/8" long.
076419	ST18	Starting motor .. ..	Push .. ..	Single hole ..	As 76438, but complete with push rod and spring, 4 3/8" long.
764248S	ST18	Starting motor .. ..	Push .. ..	Single hole ..	Brown knob, marked 'S' and 'PUSH' in white.



# IGNITION AND STARTING SWITCHES



## STARTING MOTOR SOLENOIDS

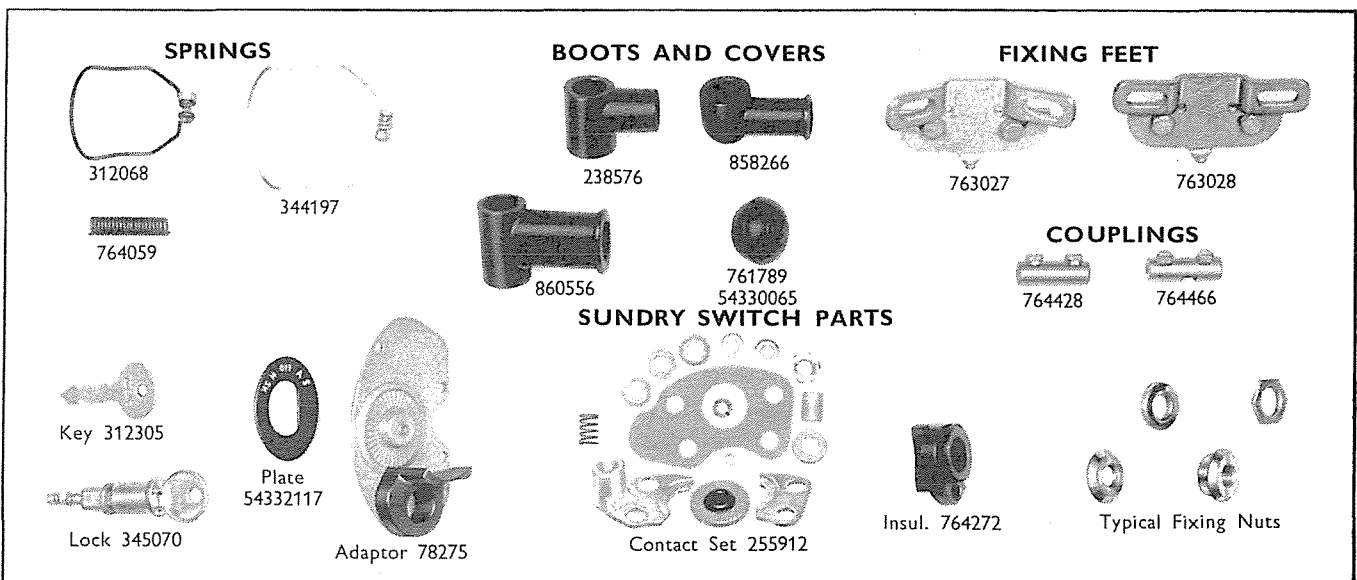
### Descriptive Reference

Part No.	Model	Fixing	Details	Part No.	Model	Fixing	Details
76022	ST900-1	Four hole	Mounted on commutator end bracket of 'G' type starter; 12 volt; earth return.	76464	2ST	Two hole	12 volt; earth return; Lucar connectors.
76421	ST950	Two hole	6 volt; earth return.	76469	2ST	Two hole	12 volt; earth return.
76422	ST950	Two hole	12 volt; insulated return.	076013	ST950	Two hole	12 volt; earth return; for Rolls-Royce.

### DETAILED SPARE PARTS

Part No.	Model	76022	76421	76422	76464	76469	076013
Model	Model	ST900-1	ST950	ST950	2ST	2ST	ST950
§Insulator	..	764272	—	—	—	—	—
Nut, control screw	..	—	170574	170574	170574	170574	170574
Washer, control screw	..	—	185062	185062	185062	185062	185062
§End cap, rubber	..	760130	760130	760130	763119	—	760130
§Nut, terminal	..	166043	166043	166043	166019	166019	166043
§Washer, terminal	..	131000	185040	185040	185040	185040	185040
Connector, Lucar, starter push	..	—	—	—	54190015	54190015	—
Connector, Lucar, fuse box	..	—	—	—	54190013	54190013	—
Connector, Lucar, control box	..	—	—	—	54190014	54190014	—

These fixing feet are available if required: Foot, flat fixing 763028; foot, yoke fixing 763027.



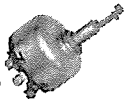
§ Recommended spares for stock

DETAILED SPARE PARTS

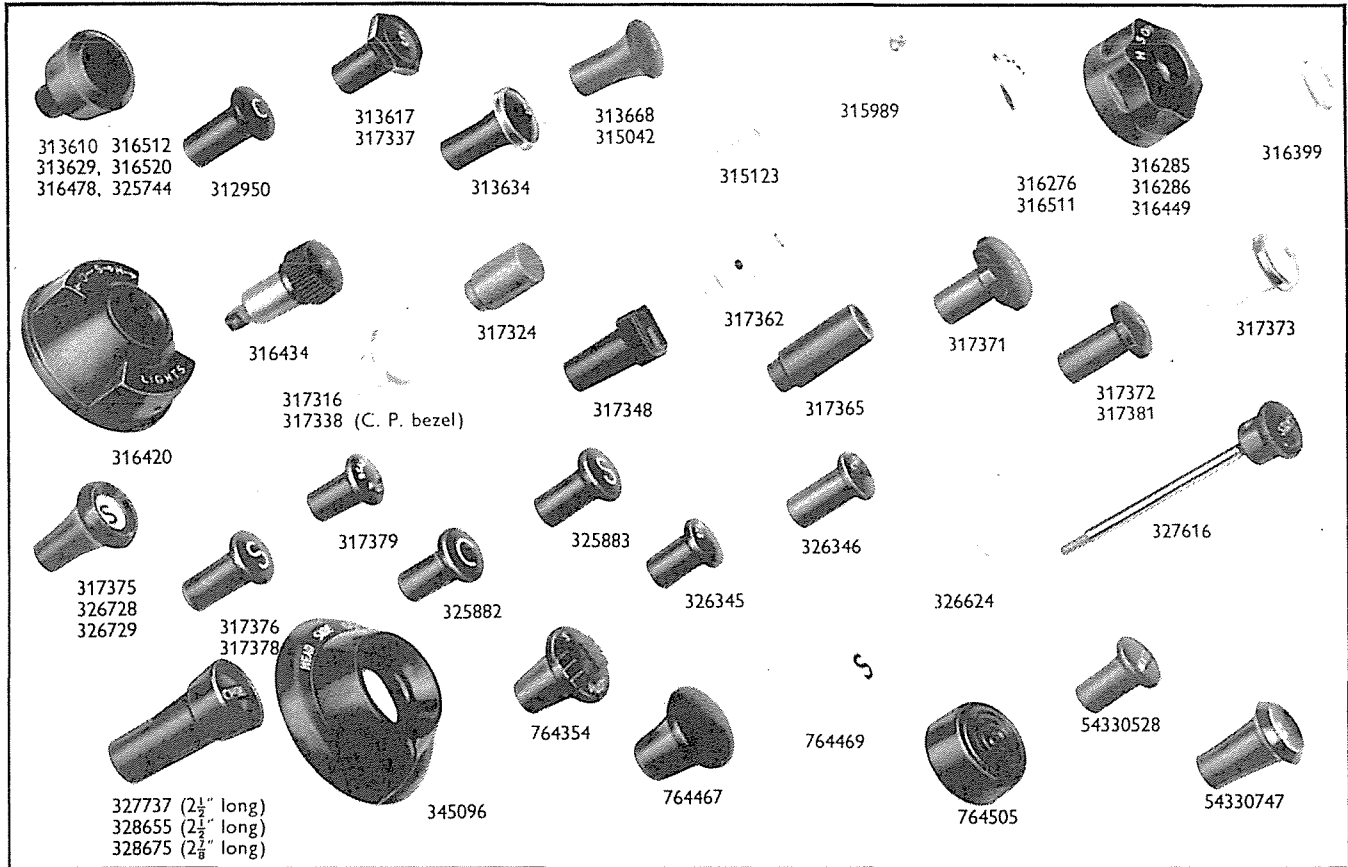
IGNITION AND STARTING SWITCHES

Part No. . . . .	31107	31113	31115	31141	31150	31153	31187	31194	31201	31216	31241	31246	31248	
Model . . . . .	SS5	PS16	SS8	SS5	SS5	SS8	SS5	PRS2	PS7-1	SS5	SS5	SS6	PS19	
Nut, fixing . . . . .	180670	—	—	—	180670	—	—	—	314017	—	180670	180670	315081	
Washer or rear nut, fixing . . . . .	158350	—	—	—	158350	—	—	—	180093	—	158350	—	—	
§Washer, spring or shakeproof . . . . .	185188	—	—	—	185188	—	—	—	185081	—	185188	185002	—	
§Screw, terminal . . . . .	120584	120560	120560	120584	120584	120560	120560	120560	120560	120560	120584	135444	120560	
Lock or key . . . . .	—	—	—	—	—	—	345070	—	—	345070	—	312305	—	
Part No. . . . .	31253	31258	31270	31272	31279	31287	31344	31356	31361	31363	31377	31403	31416	
Model . . . . .	SS9	SS5	PRS3	SS5	SS9	S45	S50	PS6	SS5	SS5	SS5	S45	PRS3	
Nut or spring, fixing . . . . .	183891	180670	312068	180670	183891	—	312068	180670	180670	180670	180670	54130041	312068	
Washer, fixing . . . . .	—	158350	—	158350	—	—	—	158350	158350	158350	158350	164018	—	
§Washer, spring or shakeproof . . . . .	—	185188	185000	185188	—	—	—	185188	185188	185188	185188	—	185000	
§Screw, terminal . . . . .	120560	120584	132464	120584	120560	120560	120560	121610	120584	120584	120584	120560	132464	
Part No. . . . .	31421	31425	31447	31469	31497	31501	31516	31540	31543	31593	31600	31637	31655	
Model . . . . .	PRS3	PHS1	SS5	SS10	S55	S60	PRS3	54C	S60	S60	PS6	S60	PRS3	
Nut or spring, fixing . . . . .	312068	183891	180670	—	—	156570	312068	—	156570	157051	180670	153591	312068	
Washer or rear nut, fixing . . . . .	—	—	158350	—	—	—	—	—	—	156570	158350	156570	—	
§Washer, spring or shakeproof . . . . .	185000	188412	185188	—	—	188412	185000	—	188412	188412	185188	188412	185000	
§Screw, terminal . . . . .	132464	132464	120584	120560	110714	132464	132464	120560	132464	132464	121610	132464	132464	
Part No. . . . .	31678	31719	31781	31799	31810	31829	31854	31872	31899	31912	31958	31962	31967	
Model . . . . .	S60	SS9	S60	47SA	SS8	70SA	70SA	SS5	S45	47SA	PRS3	S45	SS5	
Nut or spring, fixing . . . . .	157051	183891	153591	153591	—	153591	156570	180670	54130041	153591	312068	54130301	180670	
Washer or rear nut, fixing . . . . .	156570	—	156570	154606	—	156570	†54330767	158350	164018	—	—	164018	158350	
§Washer, spring or shakeproof . . . . .	188412	—	185188	—	—	185188	188330	185188	—	—	—	—	185188	
§Screw or nut, terminal . . . . .	132464	120560	—	—	120560	—	166043	—	—	—	—	—	120584	
Part No. . . . .	31971	31973	34005	34019	34038	34043	34054	34055	34056	34063	34090	34258	34264	34299
Model . . . . .	47SA	47SA	PLC6	PLC2	PLC6	PLC6	PLC6	PLC6	PLC6	PLC6	PLC6	47SA	47SA	70SA
Nut, fixing . . . . .	156570	153591	—	—	—	—	—	—	—	—	—	153591	153591	54130471
Rear nut, fixing . . . . .	—	156570	—	—	—	—	—	—	—	—	—	—	156570	156570
§Washer, spring or shakeproof . . . . .	—	154606	—	—	—	—	—	—	—	—	—	—	—	—
§Screw, terminal . . . . .	—	—	120560	120560	120560	120560	120560	120560	120560	120560	120560	—	—	—
Washer, fixing . . . . .	—	—	—	—	—	—	—	—	—	—	—	—	154606	185188
Spring, fixing . . . . .	—	—	—	—	344197	—	344197	344197	344197	—	—	—	—	—
Knob or lever . . . . .	—	—	—	—	344990	—	345065	—	—	—	—	—	—	—
Lock and driving cup . . . . .	—	—	345070	345070	345070	345070	—	345070	345070	345070	345070	—	—	—
Part No. . . . .	76404	76412	76423	76427	76428	76438	76442	031218	031366	764248/S	076411	076414	076415	076419
Model . . . . .	ST10	ST18	ST19-2	ST18	ST10	ST18-1	4SA	PS7-1	PLC6	ST18	ST18	ST18	ST18	ST18
Nut or spring, fixing . . . . .	—	182524	182524	—	—	182524	—	314017	344197	182524	182524	182524	182524	182524
Rear nut, fixing . . . . .	—	—	—	—	—	—	—	180093	†344931	—	—	—	—	—
§Washer, spring or shakeproof . . . . .	—	185062	185061	185062	—	185062	185033	—	—	185062	185062	185062	185062	185062
Washer, plain . . . . .	—	140300	—	140300	—	—	—	—	—	140300	—	—	—	—
§Screw or nut, terminal . . . . .	—	170574	170574	170574	—	170754	172580	120560	120560	170574	170574	170574	170574	170574
Washer, fixing . . . . .	—	—	188472	—	—	188472	—	185081	—	188472	188472	188472	188472	188472
Knob or lever . . . . .	764431	—	—	—	764267	—	—	314026	—	764354	764505	—	—	—
Nut or screw, knob or lever fixing . . . . .	112594	—	—	—	112594	167544	—	—	—	167544	167544	167544	167544	167544
§Insulator, rubber . . . . .	764272	—	—	—	764272	—	—	—	—	—	—	—	—	—
§Contact set . . . . .	255912	—	—	—	255912	—	—	—	—	—	76438	76438	76438	76438
Spring, push rod . . . . .	—	—	—	—	—	—	—	—	—	764059	—	764059	764059	764059
Lock and driving cup . . . . .	—	—	—	—	—	—	—	—	345070	—	—	—	—	—

† Key    ‡ Adaptor plate    § Recommended spares for stock    || Switch



# IGNITION AND STARTING SWITCHES

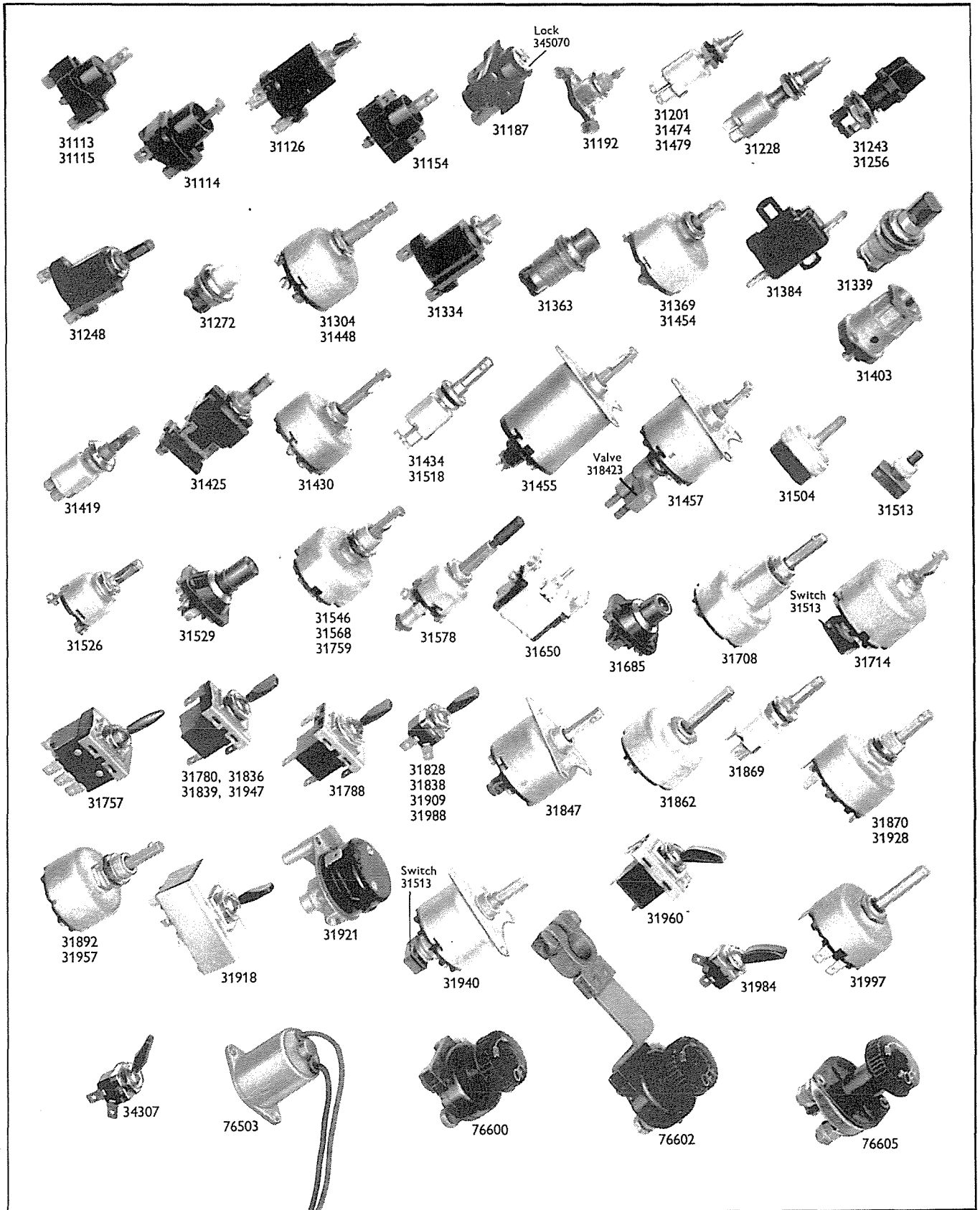


## SWITCH KNOBS

Part No.	Model	Finish	Marking	Method of Fitting	Part No.	Model	Finish	Marking	Method of Fitting
312950	PS7	Black .. ..	'C' in white .. ..	Push on	317373	SS9	Cream;		
313610	—	Black .. ..	'Choke' in white .. ..	Screw on 2 B.A. thread	317375	SS9	C.P. bezel .. ..	'S' in red .. ..	Push on
313617	—	Black .. ..	'C' in white .. ..	Push on	317376	SS9	Black .. ..	'S' in black on plastic button .. ..	Push on
313629	SS8	Black .. ..	'STARTER' in white .. ..	Push on	317378	SS9	Brown .. ..	'S' in white .. ..	Push on
313634	SS9	Black .. ..	'S' in white .. ..	Push on	317379	SS9	Black .. ..	'S' in cream .. ..	Push on
313668	SS9	C.P. bezel .. ..	'S' in white .. ..	Push on	317381	SS9	Black .. ..	'STARTER-PUSH' in white .. ..	Push on
315042	CHR1	Black .. ..	'S' in white .. ..	Push on	325744	—	Metallic grey	'S' in white .. ..	Push on
315123	PPG1 or PS16	Brown .. ..	Plain .. ..	Push on	325882	—	Black .. ..	Plain .. ..	Screw on 2 B.A. thread
315989	and PS19	Mottled ivory	'C' in gold .. ..	Push on	325883	—	Black .. ..	'C' in white .. ..	Screw on 2 B.A. thread
316276	PS7-1	Golden pearl	'CHOKE' in black .. ..	Push on	326345	SS9	Black .. ..	'S' in white .. ..	Screw on 2 B.A. thread
316285	PRS2	Mottled cream	'H-S-OFF' in black .. ..	Push on	326346	—	Black .. ..	'STARTER' in white .. ..	Push on
316286	PRS2	Black .. ..	'H-S-OFF' in white .. ..	Push on	326624	—	Grey .. ..	'CHOKE' in white .. ..	Push on
316286	PRS2	Grey .. ..	'H-S-OFF' in white .. ..	Push on	326728	—	Black .. ..	Plain .. ..	Push on
316399	SS9	Cream .. ..	'S' in brown .. ..	Push on	326729	—	Black .. ..	Black 'C' on grey insert .. ..	Screw on No. 10 U.N.F. thread
316420	PRS3	Black .. ..	'LIGHTS' and 'O-S-H' in white .. ..	Push on	327616	—	Wood grained	Black 'S' on grey insert .. ..	Screw on No. 10 U.N.F. thread
316434	PRS3	Black .. ..	'ON' .. ..	Push on	327737	—	Black .. ..	'START' in white .. ..	Combined knob and cable
316449	PRS3	Black .. ..	'H-S-OFF' in white .. ..	Spring loaded	328655	—	Black .. ..	'CHOKE' in white .. ..	Push on
316478	PS16	Grey .. ..	Plain .. ..	Push on	328655	—	Stone .. ..	'CHOKE' in black .. ..	Push on
316478	PS16	Grey .. ..	Plain .. ..	Push on	328675	—	Black .. ..	'CHOKE' in white .. ..	Push on
316511	PRS2	Golden pearl	'H-S-OFF' in black .. ..	Push on	345096	PLC6	Black .. ..	'HEAD-SIDE-OFF' in white .. ..	Secured by switch bezel
316512	PS16	Golden pearl	Plain .. ..	Push on	764354	ST18	Brown .. ..	'S' and 'PUSH' in white .. ..	Screw on 1 B.A. thread
316520	Various	Black .. ..	Plain .. ..	Push on	764467	ST19-2	Black .. ..	Plain .. ..	Grub screw
317316	SS8	Mottled ivory	'S' in gold .. ..	Push on	764469	ST19-2	Cream .. ..	'S' in black .. ..	Grub screw
317324	SS8	C.P. .. ..	Plain .. ..	Push on	764505	ST18	Cadmium plated .. ..	Plain .. ..	Screw on 1 B.A. thread
317337	SS8	Black .. ..	'S' in white .. ..	Push on	54330528	PHS1	Black .. ..	'HEATER' in white .. ..	Push on
317338	SS9	Cream .. ..	'S' in black .. ..	Push on	54330747	SS8	Black .. ..	'C' in white .. ..	Push on
317348	SS8	Black .. ..	'S' in ultra violet paint .. ..	Push on					
317362	SS9	Cream .. ..	'S' in black .. ..	Push on					
317365	SS9	Black .. ..	Plain .. ..	Push on					
317371	SS9	Black .. ..	'S' in white .. ..	Push on					
317372	SS9	Black .. ..	'S' in white .. ..	Push on; octagonal head					

C.P. .. Chromium plated

# GENERAL PURPOSE SWITCHES



For detailed spare parts, see pages Q34-Q35



# GENERAL PURPOSE SWITCHES

## Descriptive Reference

Part No.	Model	Usage	Action	Fixing	Special Features
31113	PS16	Heater and wiper ..	Pull on-push off .. ..	Single hole	Less knob; as 31154, but terminals reversed; moulded body.
31114	PPG2	Fan .. ..	Two stage pull on-push off	Two hole	Less knob; moulded body.
31115	SS8	Screenjet .. ..	Push .. ..	Single hole	Moulded body.
31126	PPG1	Heater or fan (blower)	Two stage pull on-push off	Single hole	Less knob; moulded body.
31154	PS16	Heater, fan and wiper	Pull on-push off .. ..	Single hole	Less knob; as 31113, but terminals reversed; moulded body.
31187	S55	Master .. ..	Rotary on-off .. ..	Two hole	Moulded body; lock and keys.
31192	PS15	Windshield wiper ..	Pull on-push off .. ..	Single hole	—
31201	PS7-1	Heater, fan and wiper	Pull on-push off .. ..	Single hole	Short thread for metal panel; as 31228 except for length of thread.
31228	PS7-1	Windshield wiper ..	Pull on-push off .. ..	Single hole	Long thread for wooden panel; as 31201 except for length of thread.
31243	PS6	Windshield wiper ..	Rotary on-off .. ..	Single hole	Black knob, marked 'WIPER' in white.
31248	PS19	Heater, fan and wiper	Pull on-push off .. ..	Single hole	Less knob; moulded body.
31256	PS6	Windshield wiper ..	Rotary on-off .. ..	Single hole	Black knob.
31272	SS5	Earthing .. ..	Push .. ..	Single hole	Ivory knob.
31302	PRS5	Windshield wiper ..	Rotary three way .. ..	Single hole	Less knob; similar to 31448.
31304	PRS5	Windshield wiper ..	Rotary two way .. ..	Single hole	Less knob; for single speed operation; as 31369, but longer spindle.
31334	PS19	Windshield wiper ..	Pull on-push off .. ..	Single hole	Less knob; as 31248 except for spindle.
31339	PS6	Panel and heater ..	Rotary on-off .. ..	Single hole	Long body, plain black knob.
31363	SS5	Screenjet .. ..	Push .. ..	Single hole	Plain black knob; long thread.
31369	PRS5	Windshield wiper ..	Rotary two way .. ..	Single hole	Less knob; for single speed operation; as 31304, but shorter thread.
31384	22B	Trailer security ..	Pull .. ..	Clip	Less clip and screw; black finish.
31403	S45	Isolating .. ..	Rotary on-off .. ..	Single hole	Less lock and keys.
31419	PS7-2	Heater, fan and wiper	Pull on-push off .. ..	Single hole	Less knob; for two-speed operation; special for Rolls-Royce.
31425	PHS1	Heater .. ..	Push .. ..	Single hole	Less knob.
31430	PRS7	Windshield wiper ..	Rotary three way .. ..	Single hole	Less knob.
31434	PS7	Windshield wiper ..	Pull on-push off .. ..	Single hole	Less knob.
31448	PRS5	Windshield wiper ..	Rotary three way .. ..	Single hole	Less knob; for two-speed operation; special for Rolls-Royce.
31454	PRS5	Windshield wiper ..	Rotary three way .. ..	Single hole	Less knob; for two-speed operation.
31455	PRS9	Heater, demister and air valve .. ..	Push-pull and rotary three way .. ..	Three hole plate	Less knob; tinned fixing plate.
31457	PRS9	Wiper and screenjet	Push-pull and rotary three way .. ..	Three hole plate	Less knob; tinned fixing plate.
31474	PS7	Heater .. ..	Pull on-push off .. ..	Single hole	Less knob; as 31201 except for fixing nut.
31479	PS7	Windshield wiper ..	Pull on-push off .. ..	Single hole	Less knob.
31504	12SA	Hand brake .. ..	Pull on-push off .. ..	Single hole	Insulated return.
31513	15SA	Screenjet .. ..	Push .. ..	Single hole	Black knob; cream fixing nut.
31518	PS7	Windshield wiper ..	Pull on-push off .. ..	Single hole	Less knob.
31526	PS20	Windshield wiper ..	Rotary two way .. ..	Single hole	Less knob.
31529	PS9	Fan .. ..	Push on-off, tumbler ..	Single hole	Blade knob, marked 'FAN' in white.
31546	PRS7	Windshield wiper ..	Rotary two way .. ..	Single hole	Less knob.
31568	PRS7	Windshield wiper ..	Rotary three way .. ..	Single hole	Less knob.
31578	30SA	Screenjet .. ..	Rotary two way .. ..	Single hole	Less knob.
31581	PS7	Heater .. ..	Pull on-push off .. ..	Single hole	Less knob; similar to 31434 except for fixing nuts.
31650	49SA	Window lift .. ..	Push .. ..	Two screw	No top plate.
31685	PS9	Heater .. ..	Push on-off, tumbler ..	Single hole	Brown knob, marked 'H' in white.
31708	PRS7	Air conditioner ..	Rotary four way .. ..	Single hole	Less knob.
31714	50SA	Wiper and screenjet	Rotary three way .. ..	Single hole	Incorporates screenjet switch 31513.
31757	45SA	Windshield wiper ..	Toggle .. ..	Single hole	Single speed.
31759	PRS7	Trailer change-over ..	Rotary two way .. ..	Single hole	Less knob.
31780	57SA	Windshield wiper ..	Toggle two way .. ..	Single hole	Lucar connectors; black knob.
31788	57SA	Heater .. ..	Toggle three way .. ..	Single hole	Lucar connectors; black knob.
31828	65SA	Heater .. ..	Lever on-off .. ..	Single hole	Lucar connectors; black knob.
31836	57SA	Windshield wiper ..	Toggle two way .. ..	Single hole	Lucar connectors; black knob.
31838	65SA	Heater and panel ..	Lever on-off .. ..	Single hole	Lucar connectors; black knob.
31839	57SA	Wiper and panel ..	Toggle two way .. ..	Single hole	Lucar connectors; black knob.
31847	PRS9	Windshield wiper ..	Rotary three way and push	Three hole plate	Less knob.
31862	PRS7	Heater .. ..	Rotary three way .. ..	Single hole	Less knob.
31869	PS7	Windshield wiper ..	Pull on-push off .. ..	Single hole	Less knob.
31870	PRS7	Windshield wiper ..	Rotary three way .. ..	Single hole	Lucar connectors.
31892	PRS7	Windshield wiper ..	Rotary three way .. ..	Single hole	For two-speed motor.

For illustrations, see pages Q29 and Q32

continued

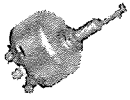
# GENERAL PURPOSE SWITCHES



## Descriptive Reference—*continued*

Part No.	Model	Usage	Action	Fixing	Special Features
31909	65SA	Heater .. ..	Lever on-off .. ..	Single hole	Lucar connectors; grey knob.
31918	79SA	Windshield wiper ..	Toggle three way .. ..	Single hole	Lucar connectors; black knob.
31921	60SA	Brake booster warning light .. ..	Hydraulic .. ..	Two hole flange	Lucar connectors.
31928	PRS7	Windshield wiper ..	Rotary three way .. ..	Single hole	Lucar connectors.
31940	PRS9	Wiper and screenjet	Rotary three way .. ..	Three hole plate	Incorporates screenjet switch 31513.
31947	57SA	Wiper and panel ..	Toggle .. ..	Single hole	Lucar connectors.
31954	PRS7	Windshield wiper ..	Rotary three way .. ..	Single hole	Less knob; similar to 31568 except for fixing nut.
31957	PRS7	Windshield wiper ..	Rotary three way .. ..	Single hole	For two-speed motor.
31960	57SA	Fan .. ..	Toggle three way .. ..	Single hole	Three positions: OFF, SLOW, FAST.
31975	PRS7	Windshield wiper ..	Rotary three way .. ..	Single hole	For two-speed motor; similar to 31928 except for fixing nuts.
31984	65SA	Screenjet .. ..	Lever on-off .. ..	Single hole	Lucar connectors.
31988	65SA	Windshield wiper ..	Lever on-off .. ..	Single hole	Lucar connectors; cream knob.
31997	PRS7	Windshield wiper ..	Rotary three way .. ..	Single hole	For two-speed motor; Lucar connectors.
34266	PS19	Windshield wiper ..	Pull on-push off .. ..	Single hole	Less knob; Lucar connectors; otherwise as 31248.
34307	65SA	Horn .. ..	Lever on-off .. ..	Single hole	Spring return; Lucar connectors.
76503	2S	Solenoid for hydraulic suspension dampers	—	Two hole flange	For Rolls-Royce and Bentley.
76600	ST350	Battery master ..	Rotary .. ..	Strap and lug	Switch only; black knob marked 'OFF'.
76602	ST350	Battery master ..	Rotary .. ..	Strap and lug	Switch 76600 with connector and lug 768045, for positive earth.
76605	ST350	Battery master ..	Rotary .. ..	Two hole plate	Black knob marked 'OFF'.
78203	CHR1	Heater or fan ..	Rotary .. ..	Single hole	Less knob; $\frac{3}{4}$ " bush; 2.35–2.65 ohms resistance; grub screw knob fitting.
78205	CHR1	Heater or fan ..	Rotary .. ..	Single hole	Less knob; 2" bush; 3 ohms resistance; grub screw knob fitting.
78206	CHR1	Heater or fan ..	Rotary .. ..	Single hole	Less knob; $\frac{3}{4}$ " bush; 11.6–13.4 ohms resistance; grub screw knob fitting.
78210	CHR1	Heater or fan ..	Rotary .. ..	Single hole	Less knob; $1\frac{1}{2}$ " bush; 14–16 ohms resistance; grub screw knob fitting; special for Rolls-Royce.
78216	CHR1	Heater or fan ..	Rotary .. ..	Single hole	Less knob; $\frac{3}{8}$ " bush; 1.1 ohms resistance; grub screw knob fitting.
78241	CHR1	Heater or fan ..	Rotary .. ..	Single hole	Less knob; $\frac{3}{8}$ " bush; 2.35–2.65 ohms resistance; push-on knob fitting.
78250	CHR1	Heater or fan ..	Rotary .. ..	Single hole	Less knob; $1\frac{1}{2}$ " bush; 2.35–2.65 ohms resistance; grub screw knob fitting.
78260	CHR1	Heater or fan ..	Rotary .. ..	Single hole	Less knob; $\frac{3}{8}$ " bush; 5–6 ohms resistance; grub screw knob fitting.
78286	CHR3	Demister, heater or fan .. ..	Rotary three way .. ..	Single hole	Less knob; $\frac{11}{16}$ " bush; 4.5–5 ohms resistance; push-on knob fitting.
78305	2R	Heater and water control .. ..	Pull and rotary .. ..	Single hole	4.25 ohms resistance; with wire and cable.
78311	CHR1	Dimmer and demister	Rotary .. ..	Single hole	Less knob; $\frac{1}{2}$ " bush; 11.6–13.6 ohms resistance; push-on knob fitting.
78328	2R	Heater and water control .. ..	Pull and rotary .. ..	Single hole	As 78305, but with longer wire and cable.
78339	3R	Heater .. ..	Rotary .. ..	Single hole	Less knob; 2.55 ohms resistance.
78346	3R	Dimmer and demister	Rotary .. ..	Single hole	Less knob; $\frac{7}{16}$ " bush; 12.5 ohms resistance.
78356	3R	Heater .. ..	Rotary .. ..	Single hole	Less knob; $\frac{3}{8}$ " bush; 5–6 ohms resistance.
78357	3R	Heater .. ..	Rotary .. ..	Single hole	Less knob; $\frac{3}{8}$ " bush; 1.1 ohms resistance.
78361	3R	Heater or fan ..	Rotary .. ..	Single hole	Less knob; $\frac{3}{8}$ " bush; 3 ohms resistance.
78362	3R	Heater .. ..	Rotary .. ..	Single hole	Less knob; $\frac{3}{8}$ " bush; 2.55 ohms resistance.
78370	3R	Heater .. ..	Rotary .. ..	Single hole	Less knob; 2.55 ohms resistance.
78384	3R	Heater .. ..	Rotary .. ..	Single hole	Less knob; 5 ohms resistance.
768380	CHR1	Heater or fan ..	Rotary .. ..	Single hole	With knob; $\frac{1}{2}$ " bush; 7–8 ohms resistance.

*For illustrations, see pages Q29 and Q32*



# GENERAL PURPOSE SWITCHES



For detailed spare parts, see pages Q34-Q35



# GENERAL PURPOSE SWITCHES



## SWITCH KNOBS

Part No.	Model	Finish	Marking	Method of Fitting	Part No.	Model	Finish	Marking	Method of Fitting
305493	—	Black .. ..	Decorative insert ..	Push on	317456	PS15	Stone grey ..	Plain .. .. .	Screw on 6 B.A. thread
312613	PRS7	Black .. ..	'H-N-O-WIPER' in white .. .. .	Push on	317507	PS7	Ivory .. .. .	'W' in black .. ..	Screw on 8 A.N.C. thread
312626	PRS7	Brown .. ..	'H-N-P-WIPER' in cream .. .. .	Push on	317526	PS16	Mottled cream	'W' in red; C.P. bezel ..	Push on
312644	PRS7	Black .. ..	'H-N-P-WIPER' in white .. .. .	Push on	317529	—	Black .. .. .	Plain .. .. .	Screw on 10 A.N.F. thread
312865	PS7	Black .. ..	'W' in white .. ..	Push on	317530	PS7	Black .. .. .	'WIPER' in white ..	Push on
312872	PS7	Black .. ..	'W' in white .. ..	Push on	317531	PS7	Black .. .. .	'HEATER' in white ..	Push on
312873	PS7	Brown .. ..	'W' in cream .. ..	Push on	317602	PRSS	Black .. .. .	'WIPER' in white ..	Push on
312891	PS7	Brown .. ..	'H' in cream .. ..	Push on	318167	PRSS	Black .. .. .	'W' in white .. .. .	Push on
312892	PS7	Black .. ..	'H' in white .. ..	Push on	318169	PRSS	Ivory .. .. .	'WIPER-H-N-P' in black .. .. .	Push on
312897	PS7	Black .. ..	'BLOWER' in white ..	Push on	318171	PRS7	Black .. .. .	'W' and an arrow in white .. .. .	Push on
312951	PS7	Black .. ..	'W' in white .. ..	Push on	318172	PRS7	Black .. .. .	'H' and an arrow in white .. .. .	Push on
312954	PS19	Black .. ..	'W' in white .. ..	Push on	318178	PRS7	Pipe grey .. .	'WIPER' and an arrow in black .. .. .	Push on
313062	50SA	Black .. ..	'H-N-P-WIPER' in white .. .. .	Grub screw	318180	—	Black .. .. .	'PUSH FOR AIR' in white .. .. .	Push on
313337	30SA	Black .. ..	'WIPER' and an arrow in white .. .. .	Grub screw	318350	PS7	C.P. .. .. .	Plain .. .. .	Push on
313605	PS7	Black .. ..	'W' in ivory .. ..	Screw on	318350	PS7	C.P. .. .. .	Plain .. .. .	Screw on 8 A.N.C. thread
313619	PS7	Cream .. ..	'F' in black .. ..	Push on	318369	PS7	Black .. .. .	Plastic insert with 'W' in black; aluminium background .. ..	Push on
313622	PS7	Black .. ..	'HEATER' in white ..	Push on	318370	PS7	Black .. .. .	'H' in clear diakon ..	Push on
313624	SS8	Black .. ..	'SCREEN WASHER' in white .. .. .	Push on	318378	PS7	Brown .. .. .	Plain .. .. .	Screw on 8 A.N.C. thread
313625	CHR1	Black .. ..	'DEMIST-R-WINDOW' and an arrow in white ..	Push on	318385	PS7	Brown .. .. .	'W' in cream .. .. .	Screw on 8 A.N.C. thread
313633	PS7	Black; bright bezel	'W' in white .. ..	Push on	318476	PRS7 and PS20	Black .. .. .	'WIPER' and an arrow in white .. .. .	Push on
313662	PS15	Pebble grey ..	'W' in black .. ..	Screw on	318492	PRSS	Black .. .. .	'W' in white .. .. .	Push on
313682	50SA	Black .. ..	'H-N-P-WIPER-PRESS FOR WASHER' in white ..	Push on	325347	—	Ivory .. .. .	'ON', 'OFF', double-headed arrow and 'WATER VALVE' in black .. .. .	Grub screw
313683	PS7	Black .. ..	'H' in white .. ..	Push on	325348	—	Ivory .. .. .	'ON', 'OFF', double-headed arrow and 'DEMISTER' in black ..	Grub screw
313690	PS7	Black .. ..	'W' in white .. ..	Push on	325349	—	Ivory .. .. .	Line 1/8" wide in black ..	Grub screw
314026	PS7	Black .. ..	Plain .. .. .	Screw on 8 A.N.C. thread	325721	—	Ivory .. .. .	'VENTILATOR-PULL TO OPEN' in black ..	Grub screw
314437	PS7	C.P. .. .. .	Plain .. .. .	Screw on 8 A.N.C. thread	326724	—	Golden pearl	'AIR' in black .. ..	Screw on 2 B.A. thread
315042	PG1	Brown .. ..	Plain .. .. .	Push on	327617	—	Black .. .. .	'AIR' in white .. ..	Screw on 2 B.A. thread
315061	PS15	Ivory .. .. .	Plain .. .. .	Screw on 6 B.A. thread	768378	CHR1	Brown .. .. .	An arrow in white ..	Grub screw
315062	PS15	Ivory .. .. .	Plain .. .. .	Screw on 6 B.A. thread	768424	CHR1	C.P. .. .. .	Plain .. .. .	Grub screw
315069	PS15	Black .. .. .	Plain .. .. .	Screw on 6 B.A. thread	768442	CHR1	Walnut .. .. .	'FAN' 'OFF-ON-DECREASE' and an arrow in green ..	Grub screw
315075	PS15	Brown .. .. .	Plain .. .. .	Screw on 6 B.A. thread	768443	CHR1	Walnut .. .. .	'HEAT' 'ON-OFF' in green .. .. .	Grub screw
315104	PS16	Golden pearl	Plain .. .. .	Push on	768473	CHR1	Black .. .. .	'FAST-SLOW-HEATER' in white ..	Grub screw
315121	PS16	Cream .. .. .	Plain .. .. .	Push on	768522	CHR1	Ivory .. .. .	'FAST-SLOW-HEATER' in black ..	Grub screw
315140	PS16	C.P. .. .. .	Plain .. .. .	Push on	768650	CHR1	Brown .. .. .	'H' and an arrow in white .. .. .	Grub screw
316133	PRS7	Black .. .. .	'L' in white .. ..	Push on	768973	3R	Cream .. .. .	'D' in black .. .. .	Push on
316162	PG1	Cream .. .. .	'B' in black .. ..	Push on	769016	2R	C.P. .. .. .	Plain .. .. .	Fixing peg
316221	PS7	Mottled green	'H' in black .. ..	Screw on 8 A.N.C. thread	54330528	PHS1	Black .. .. .	'HEATER' in white ..	Push on
316352	PS19	Black .. .. .	'FAN' in white .. ..	Push on	54330741	PRS7 and PS15	Black .. .. .	'W' in white .. .. .	Screw on
316371	PS19	Black .. .. .	'WIPER' in white ..	Push on	54330754	PS15	Stone grey ..	Plain .. .. .	Screw on
316381	PS19	Cream .. .. .	'H' in brown .. ..	Push on	54330757	PRS7	Pipe grey .. .	'WIPER' and an arrow in black .. .. .	Push on
316386	PS19	Cream .. .. .	'C' in black .. ..	Push on	54330878	PS7	Grey .. .. .	'WIPER' in white ..	Push on
316388	PS7	Brown .. .. .	'W' in cream .. ..	Push on	54330882	—	Grey .. .. .	'SCREEN, CAR' in white ..	Push on
316390	—	Black .. .. .	'A' in white .. ..	Push on	54330883	PS7	Grey .. .. .	'HEAT' in white .. ..	Push on
316391	PS19	Black .. .. .	'W' in white .. ..	Push on	54330885	PG1	Black .. .. .	'HEATER' in white ..	Push on
316393	PS7	Cream .. .. .	'W' in black .. ..	Push on	54330899	PS7	Pebble grey ..	'W' in black .. .. .	Push on
316478	PS16	Grey .. .. .	Plain .. .. .	Push on	54331189	PS7	Coffee .. .. .	'WIPER' in white ..	Push on
316485	PS16	Black .. .. .	'FAN' in white .. ..	Push on	54331265	PPG2	Black .. .. .	'FAN' in white .. ..	Push on
316486	—	Black .. .. .	'HEAT' and an arrow in white .. .. .	Push on	54331278	3R	Black .. .. .	'H' in white .. .. .	Push on
316510	PRS5	Golden pearl	'H-N-P' in black ..	Push on	54331339	PS7	Black .. .. .	'H' in white .. .. .	Push on
316512	PS16	Golden pearl	Plain .. .. .	Push on	54332086	3R	Black .. .. .	'FAST-SLOW-HEATER' in white ..	Push on
316519	PRS5	Black .. .. .	'H-N-P' in white ..	Push on	54332711	PS7	Cream .. .. .	Plain .. .. .	Push on
316520	PS16	Black .. .. .	Plain .. .. .	Push on	54333487	3R	Brown .. .. .	'FAST-SLOW-HEATER' in white ..	Push on
316521	PS15	Ivory .. .. .	'W' in black .. ..	Screw on					
316623	PRS5	Black .. .. .	'WIPER' in white ..	Push on					
316632	PRS5	Black .. .. .	'WIPER' and an arrow in white .. .. .	Push on					
316633	PRS5	Black .. .. .	Plastic insert with 'W' in black; ivory background .. ..	Push on					
316646	PRS5	Black .. .. .	'WIPER-H-N-P' in white .. .. .	Push on					
316695	PS20	Stone .. .. .	'WIPER' and an arrow in black .. .. .	Push on					
317453	PS15	Black .. .. .	'W' in white .. ..	Screw on 6 B.A. thread					

DETAILED SPARE PARTS

Q34

31113 — 31828

GENERAL PURPOSE SWITCHES

Part No. . . . .	31113	31114	31115	31126	31154	31187	31192	31201	31228	31243	31248	
Model . . . . .	PS16	PPG2	SS8	PPG1	PS16	S55	PS15	PS7	PS7	PS6	PS19	
§Screw or sleeve, terminal . . . . .	120560	120560	120560	120560	120560	120560	188818	120560	120560	121610	120560	
§Washer, spring . . . . .	—	—	—	—	—	—	—	—	—	185188	—	
Washer, fixing nut . . . . .	—	—	—	—	—	—	—	185081	185081	158350	—	
Nut, fixing . . . . .	—	—	—	316101	—	—	315081	314017	316207	180670	315081	
Nut, locking . . . . .	—	—	—	—	—	—	—	180093	180093	—	—	
Lock and keys . . . . .	—	—	—	—	—	345070	—	—	—	—	—	
Part No. . . . .	31256	31272	31302	31304	31334	31339	31363	31369	31403	31419	31425	
Model . . . . .	PS6	SS5	PRS5	PRS5	PS19	PS6	SS5	PRS5	S45	PS7	PHS1	
§Screw, terminal . . . . .	121610	120584	132504	132504	120560	121610	120584	132504	120560	120560	132464	
§Washer, spring or shakeproof . . . . .	185188	185188	185000	185000	—	185188	185188	185000	—	—	188412	
Washer, fixing nut . . . . .	158350	158350	—	—	—	158350	158350	—	164018	185081	—	
Nut, fixing . . . . .	180670	180670	182660	182660	315081	180670	180670	182660	54130041	314017	183891	
Nut, locking . . . . .	—	—	—	—	—	—	—	—	—	180093	—	
Part No. . . . .	31430	31434	31448	31454	31455	31457	31474	31479	31518	31526	31529	
Model . . . . .	PRS7	PS7	PRS5	PRS5	PRS9	PRS9	PS7	PS7	PS7	PS20	PS9	
§Screw, terminal . . . . .	132464	120560	132504	132504	132464	132464	120560	120560	120560	132464	120560	
§Washer, spring . . . . .	185000	—	185000	185000	185000	185000	—	—	—	185000	—	
Washer, fixing nut . . . . .	—	185081	—	—	—	—	185081	185081	185081	—	—	
Nut, fixing . . . . .	182660	317543	182660	318166	—	—	315072	314017	312858	182660	314540	
Nut, locking . . . . .	—	180093	—	—	—	—	180093	180093	180093	—	—	
Valve . . . . .	—	—	—	—	—	318423	—	—	—	—	—	
Part No. . . . .	31546	31568	31578	31581	31650	31685	31708	31757	31759	31780	31788	31828
Model . . . . .	PRS7	PRS7	30SA	PS7	49SA	PS9	PRS7	45SA	PRS7	57SA	57SA	65SA
§Screw, terminal . . . . .	132464	132464	132464	120560	135444	120560	132464	—	132464	—	—	—
§Washer, spring . . . . .	185000	185000	185000	185081	185012	—	185000	—	185000	—	—	—
Washer, fixing nut . . . . .	185106	185106	—	—	—	—	185106	—	185106	54148517	54148517	54148517
Nut, fixing . . . . .	183891	183891	182660	180093	—	314540	182660	153601	183891	153631	153631	153601
Nut, locking . . . . .	182660	182660	—	—	—	—	182660	—	182660	—	—	—
§ Recommended spares for stock												

For illustrations, see pages Q29 and Q32

continued

**DETAILED SPARE PARTS**

Part No. . . . .	31836	31838	31839	31847	31862	31869	31870	31892	31909	31918	31921	31928
Model . . . . .	57SA	65SA	57SA	PRS9	PRS7	PS7	PRS7	PRS7	65SA	79SA	60SA	PRS7
§Screw, terminal . . . . .	—	—	—	132464	132464	—	—	132464	—	—	—	—
§Washer, spring . . . . .	—	—	—	185000	185000	—	—	185000	—	—	—	—
Washer, fixing nut . . . . .	54148517	—	—	—	—	185081	185106	185106	54148517	—	—	54148517
Nut, fixing . . . . .	153601	54130081	54130081	—	182660	314017	183891	183897	153601	54130081	—	182661
Nut, locking . . . . .	—	—	—	—	—	180670	182660	182660	—	—	—	182660

Part No. . . . .	31940	31947	31954	31957	31960	31975	31984	31988	31997	34266	34307	76503
Model . . . . .	PRS9	57SA	PRS7	PRS7	57SA	PRS7	65SA	65SA	PRS7	PS19	65SA	2S
§Screw, terminal . . . . .	132464	—	132464	132464	—	—	—	—	—	—	—	—
§Washer, spring . . . . .	185000	—	185000	185000	—	—	—	—	—	—	—	—
Washer, fixing nut . . . . .	—	54148517	185106	185106	54148517	54148517	54148517	54148517	—	—	54148517	—
Nut, fixing . . . . .	—	54130281	183891	183891	153601	54130311	153601	153601	182660	316360	153601	—
Nut, locking . . . . .	—	—	182666	182660	—	182660	—	—	—	—	—	—
End cap, rubber . . . . .	†31513	—	—	—	—	—	—	—	—	—	—	765373

Part No. . . . .	76600	76602	76605	‡78203	‡78205	‡78206	‡78210	‡78216	‡78241	‡78250	78260
Model . . . . .	ST350	ST350	ST330	CHR1	CHR1	CHR1	CHR1	CHR1	CHR1	CHR1	CHR1
Lug and connector arm, positive . . . . .	—	768045	—	—	—	—	—	—	—	—	—
§Screw, terminal . . . . .	120560	120560	125060	135481	135481	135481	135481	135481	135481	135481	135481
§Washer, spring or shakeproof . . . . .	185062	185062	185062	188412	188412	188412	188412	188412	188412	188412	188412
Washer, fixing nut . . . . .	140300	140300	140300	185106	185106	185106	185106	185106	185106	185106	185106
Nut, connector or switch fixing . . . . .	‡170574	‡170574	‡170574	‡175328	‡175328	‡183976	‡175328	‡183897	‡183897	‡183976	‡183897
Nut, locking . . . . .	‡170650	‡170650	‡170650	‡175328	‡175328	‡175328	‡175328	‡182660	‡182660	‡175328	‡182660
Screw, knob fixing . . . . .	—	—	—	119347	119347	119347	119347	119347	119347	119347	—
Knob . . . . .	—	—	—	¶768442	¶768424	¶768378	¶768473	¶768522	¶315042	¶768378	—

Part No. . . . .	78286	78305	78311	78328	78339	78346	78356	78357	78361	78362	78370	78384	768380
Model . . . . .	CHR3	2R	CHR1	2R	3R	3R	3R	3R	3R	3R	3R	3R	CHR1
§Screw, terminal . . . . .	135444	—	135481	—	132464	132464	132464	132464	132464	132464	132464	124069	135481
§Nut, terminal screw . . . . .	166160	—	—	—	—	—	—	—	—	—	—	—	—
§Washer, spring or shakeproof . . . . .	185007	—	188412	—	185000	185000	185000	185000	185000	185000	185000	—	188412
Washer, fixing nut . . . . .	185106	—	185106	—	185106	185106	185106	185106	185106	185106	—	185106	185106
Nut, fixing . . . . .	182660	—	183897	—	153631	153601	153601	153601	153601	153601	175327	153631	183897
Nut, locking . . . . .	182660	—	182660	—	153636	153636	153636	153636	153636	153636	175327	153636	182660
Body . . . . .	—	769021	—	769021	—	—	—	—	—	—	—	—	—
Knob . . . . .	—	769016	—	769016	—	—	—	—	—	—	—	—	768378
Wire and cable, or screw . . . . .	—	769019	—	769024	—	—	—	—	—	—	—	—	119347
Connector, Lucar . . . . .	—	—	—	—	199316	—	—	—	—	—	—	199316	—

**GENERAL PURPOSE SWITCHES**

31836 — 768380

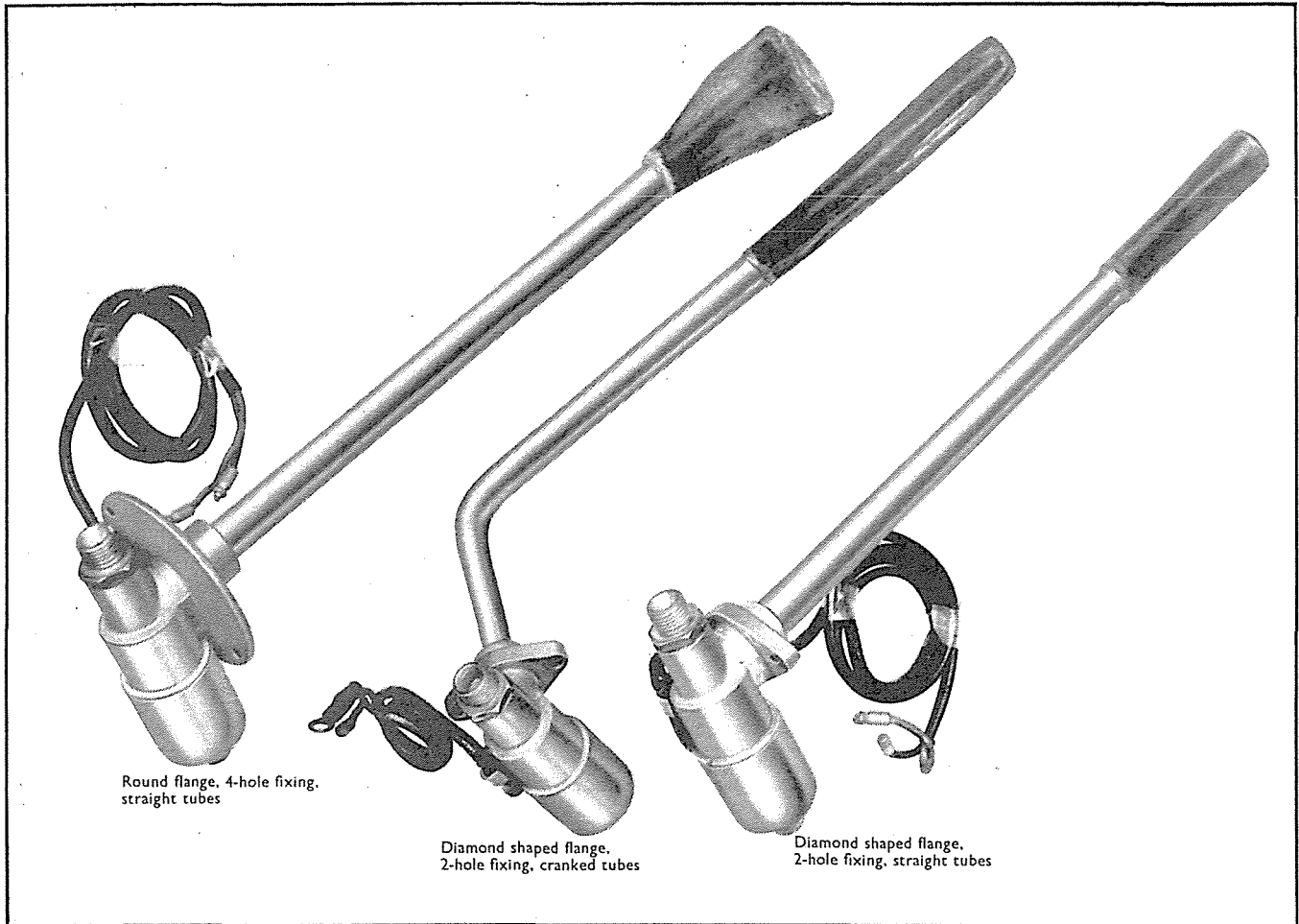
Q35

† Switch, screenspray    ‡ Supplied less knob    § Recommended spares for stock    ¶ Nut, terminal    ¶ Order separately

For illustrations, see pages Q29 and Q32



# PETROL RESERVE VALVES



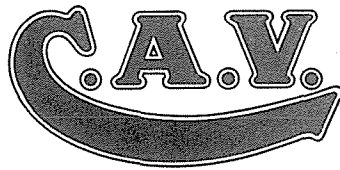
Round flange, 4-hole fixing, straight tubes

Diamond shaped flange, 2-hole fixing, cranked tubes

Diamond shaped flange, 2-hole fixing, straight tubes

Part No.	Model	Voltage	Length of Main Tube	Length of Reserve Tube	Special Features
78000	SPV	12	9 $\frac{15}{32}$ "	11 $\frac{7}{32}$ "	Round flange, four hole fixing; straight tubes.
78001	SPV	12	7 $\frac{3}{8}$ "	10 $\frac{1}{4}$ "	Round flange, four hole fixing; straight tubes.
78006	SPV	12	3 $\frac{3}{4}$ "	7 $\frac{1}{2}$ "	Diamond shaped flange, two hole fixing; straight tubes.
78007	SPV	12	9 $\frac{15}{32}$ "	10 $\frac{11}{32}$ "	Diamond shaped flange, two hole fixing; straight tubes.
78014	SPV	12	8 $\frac{11}{16}$ "	10 $\frac{3}{8}$ "	Diamond shaped flange, two hole fixing; straight tubes.
78016	SPV	12	6 $\frac{9}{16}$ "	8 $\frac{3}{16}$ "	Diamond shaped flange, two hole fixing; straight tubes.
78017	SPV	12	5"	6 $\frac{31}{32}$ "	Diamond shaped flange, two hole fixing; straight tubes.
78020	SPV	12	6 $\frac{3}{4}$ "	7 $\frac{11}{16}$ "	Diamond shaped flange, two hole fixing; cranked tubes.
78021	SPV	12	10 $\frac{3}{8}$ "	13"	Diamond shaped flange, two hole fixing; cranked tubes.
78023	SPV	12	7 $\frac{7}{8}$ "	10 $\frac{3}{8}$ "	Diamond shaped flange, two hole fixing; cranked tubes.
78024	SPV	12	9 $\frac{1}{2}$ "	11"	Diamond shaped flange, two hole fixing; straight tubes.
78025	SPV	12	16 $\frac{1}{2}$ "	19 $\frac{1}{2}$ "	Diamond shaped flange, two hole fixing; straight tubes.
78026	SPV	12	2 $\frac{13}{16}$ "	4 $\frac{13}{16}$ "	Diamond shaped flange, two hole fixing; straight tubes.
78028	SPV	12	5 $\frac{13}{32}$ "	7 $\frac{1}{2}$ "	Diamond shaped flange, two hole fixing; straight tubes.
78029	SPV	12	8 $\frac{1}{2}$ "	10 $\frac{23}{34}$ "	Diamond shaped flange, two hole fixing; straight tubes.
78030	SPV	12	6 $\frac{3}{8}$ "	9 $\frac{3}{32}$ "	Diamond shaped flange, two hole fixing; straight tubes.
78034	SPV	12	4 $\frac{3}{8}$ "	8 $\frac{3}{8}$ "	Diamond shaped flange, two hole fixing; straight tubes.
78035	SPV	12	3 $\frac{3}{8}$ "	—	Diamond shaped flange, two hole fixing; straight tubes.
78037	SPV	12	9 $\frac{35}{64}$ "	11 $\frac{51}{64}$ "	Diamond shaped flange, two hole fixing; straight tubes.
†78039	SPV	12	9 $\frac{11}{16}$ "	10 $\frac{33}{32}$ "	Diamond shaped flange, two hole fixing; straight tubes.
78040	SPV	12	7 $\frac{17}{32}$ "	7 $\frac{25}{32}$ "	Diamond shaped flange, two hole fixing; straight tubes.
780025	SPV	12	10 $\frac{3}{16}$ "	11 $\frac{7}{16}$ "	Round flange, four hole fixing; straight tubes.
780060	SPV	12	9 $\frac{3}{32}$ "	10 $\frac{31}{32}$ "	Round flange, four hole fixing; straight tubes.

† Superseded by 78024



# SWITCHES

## Model Interpretation

- 108 Push-button starter switch.
- 1 Symbol number covering special features.
- 134 Battery cut-off switch.
- 19 Symbol covering special features.
- BBNF Solenoid switch.
- A Design change.
- 41 For series-parallel circuits.

## Descriptive Reference

Part No.	Description	Application
108-1 ..	Push operation; panel fitting; knob marked 'starter' .. .. .	Solenoid operating
108-2 ..	As 108-1, but knob marked 'Heater' .. .. .	Heater
134-19 ..	Manually operated cut-off switch, having a positive locking, turn only action .. ..	Master battery
285-2A ..	Thermo-heater switch used for pre-heating of combustion chamber .. .. .	Thermostart
BBNFA41	Arranged for series-parallel operation, 12 volt running and 24 volt starting; has auxiliary contacts and is mounted on cast base plate with moulded, clip-on covers .. ..	Series-parallel



# C.A.V. SWITCHES

## SERIES-PARALLEL SWITCH

Model	BBNFA41
Part No.	1820410
Switch unit, complete	5555-276
Screw, small terminal	5548-43
Nut, large terminal	5330-13A
Washer, lock, large terminal	NP1-11
Cover, main	5555-256
Clip, main cover	5518-5
Cover, terminal	5555-254
Clip, terminal cover	5518-6

## BATTERY CUT-OFF SWITCH

Model	134-19
Part No.	1824890
Knob	5555-196
Nut, knob fixing	5330-78
Washer, knob nut	5339-371
Spring, knob	5555-110
Block, cover insulator	5555-225
Screw, cover fixing	5335-123
Washer, cover screw	5001-10
Ring, lock, cover screw	5514-38
Contact, connector	5596-47
Stud, contact connector fixing	5335-271A
Contact, round	5596-52A
Terminal, main	5555-72
Nut, main terminal, thin	5330-3A
Nut, main terminal, thick	5330-13A
Washer, plain, main terminal	5246-12A
Washer, spring, main terminal	5001-26
Terminal, small	5549-198A
Screw, grub, small terminal	5549-206
Washer, plain, small terminal	5339-189A
Washer, spring, small terminal	5293-39
Nut, small terminal	5330-80
Moving contact assembly	5555-142
Spring, moving contact	5555-35
Socket, cable	5459-54
Cover, rubber, cable socket	5506-54

## THERMOSTART

Model	285-2A
Part No.	1850021
Stud, banjo	5935-26
Joint, banjo	NW5-17
Banjo	5935-34
Nut, terminal	NU2-5T
Washer, terminal	5936-54

## STARTER PUSH AND HEATER SWITCHES

Model	108-1	108-2
Part No.	1823410	1823420
Knob, with contact	5597-14	5597-14A
Spring	5597-33	5597-33
Plate, knob	5597-2	5597-2
Base, with contacts	5597-40	5597-40
Screw, base and plate	NS100-4Z1	NS100-4Z1
Washer, plain, terminal	5080-6	5080-6
Washer, spring, terminal	5001-23	5001-23
Nut, terminal, thick	5330-19A	5330-19A
Nut, terminal, thin	5068-9	5068-9

**BBNFA41 SERIES-PARALLEL SWITCH**

**134 BATTERY CUT-OFF SWITCH**

**285-2A THERMOSTART**

**108 PUSH SWITCHES**

## WINDSHIELD WIPERS AND SCREENJETS

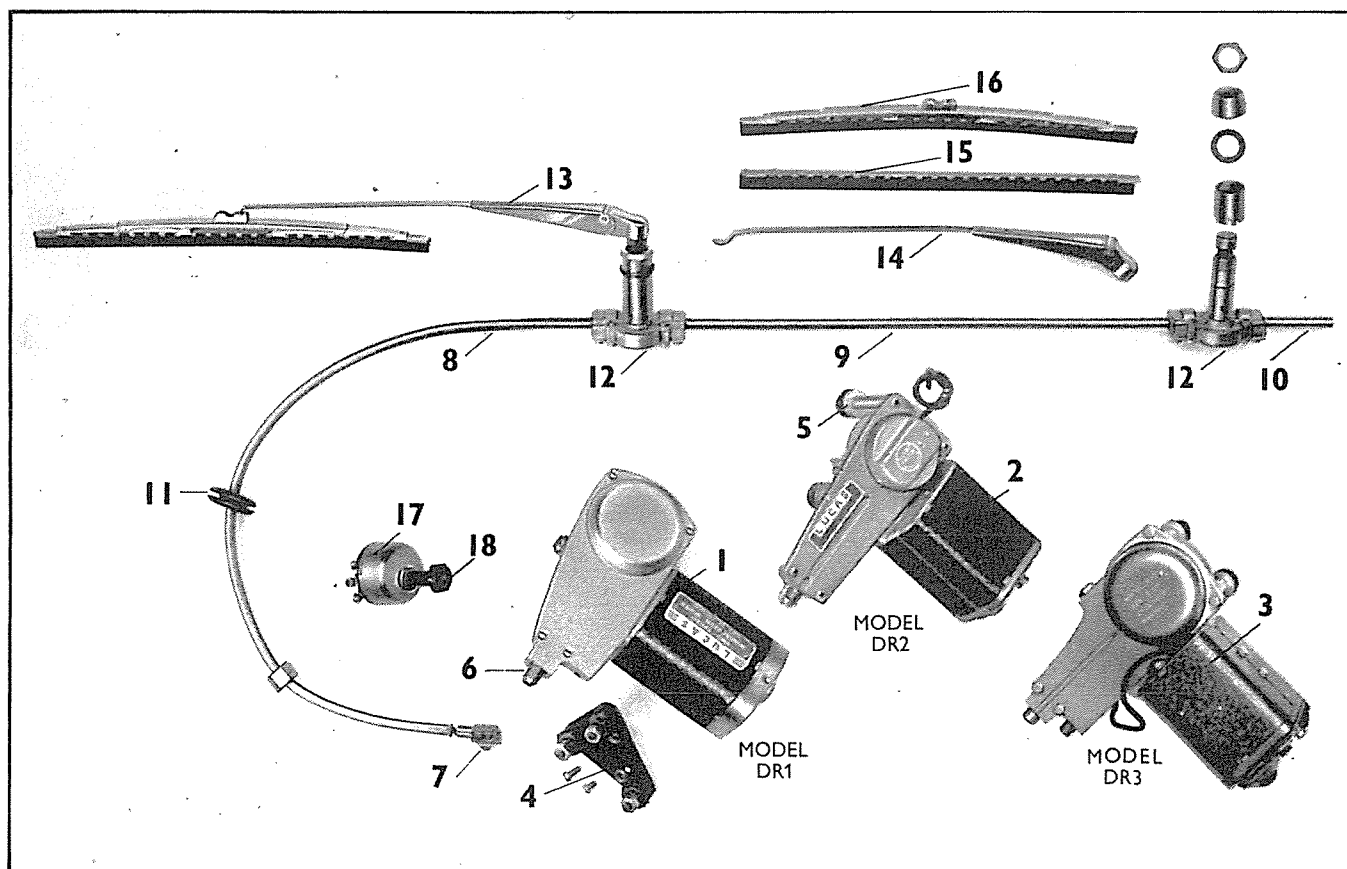
### MODELS DR1, DR2 AND DR3

#### Model Interpretation

- DR1 Rack type; dual arm; self parking; single or two speed; high powered motor incorporating thermostatic control; separate operating switch.
- DR2 Rack type; dual arm; single speed with adjustable switch for self parking. Separate operating switch.
- DR3 As DR2, but single or two speed; high powered motor incorporating thermostatic control.

The expression 'left hand' or 'right hand' is as viewed from driver's seat

#### DR1, DR2 and DR3. Dual Arm Arrangements



#### KEY TO ILLUSTRATIONS

- |  |   |  |
|--|---|--|
| <p>1. Motor and gearbox assembly, DR1 Model.</p> <p>2. Motor and gearbox assembly, DR2 Model.</p> <p>3. Motor and gearbox assembly, DR3 Model.</p> <p>4. 3-stud motor fixing plate, DR1 Models only.</p> | <p>5. Fixing studs, set of parts, DR2 and DR3 Models only.</p> <p>6. Ferrule, outer casing retaining.</p> <p>7. Rack assembly, motor to wheelboxes.</p> <p>8. Outer casing, motor to 1st wheelbox.</p> <p>9. Outer casing, wheelbox to wheelbox.</p> <p>10. Outer casing, end tube, length 2½".</p> <p>11. Grommet, rubber, scuttle dash.</p> | <p>12. Wheelbox.</p> <p>13. Arm, left hand.</p> <p>14. Arm, right hand.</p> <p>15. Rubber and backing plate assembly.</p> <p>16. Blade assembly.</p> <p>17. Operating switch.</p> <p>18. Knob, operating switch.</p> |
|--|---|--|



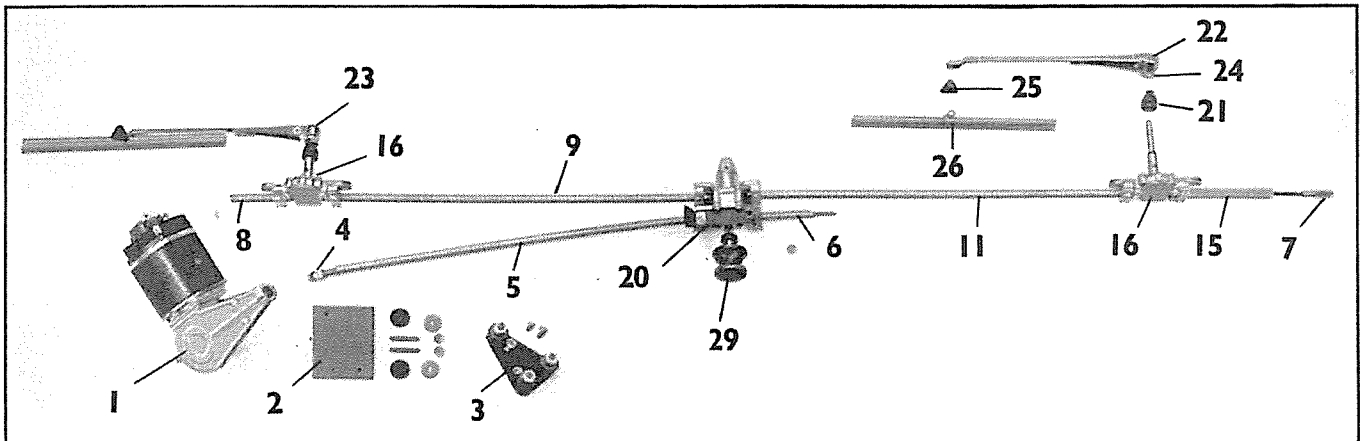
# CR AND CRT WINDSHIELD WIPERS

## MODELS CR AND CRT

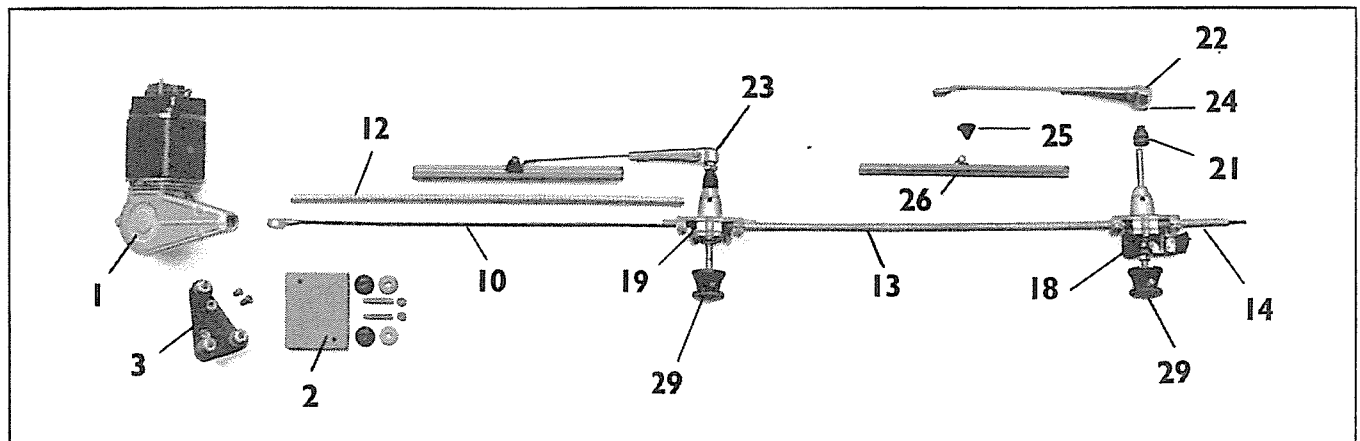
### Model Interpretation

C	Cable.	4 and 14	Dual arm; separate switch.
R	Rack.	5 and 15	Single or dual arm; separate switch; wheelboxes with front and rear bush fixing.
T	Thermostatic control.	6 and 16	Single, dual or triple arm, with wheelbox arrangements to coachbuilder's specification.
1 and 11	Single knob control; dual arm.		
2 and 12	Dual or triple arm; two or three knobs; park and switch.		The expression 'left hand' or 'right hand' is as viewed from driver's seat.

### CR1 and CRT11. Dual Arm Arrangements, with Single Knob Control



### CR2 and CRT12. Dual or Triple Arm Arrangements Wheelbox (driver's side) incorporates operating switch



### KEY TO ILLUSTRATIONS

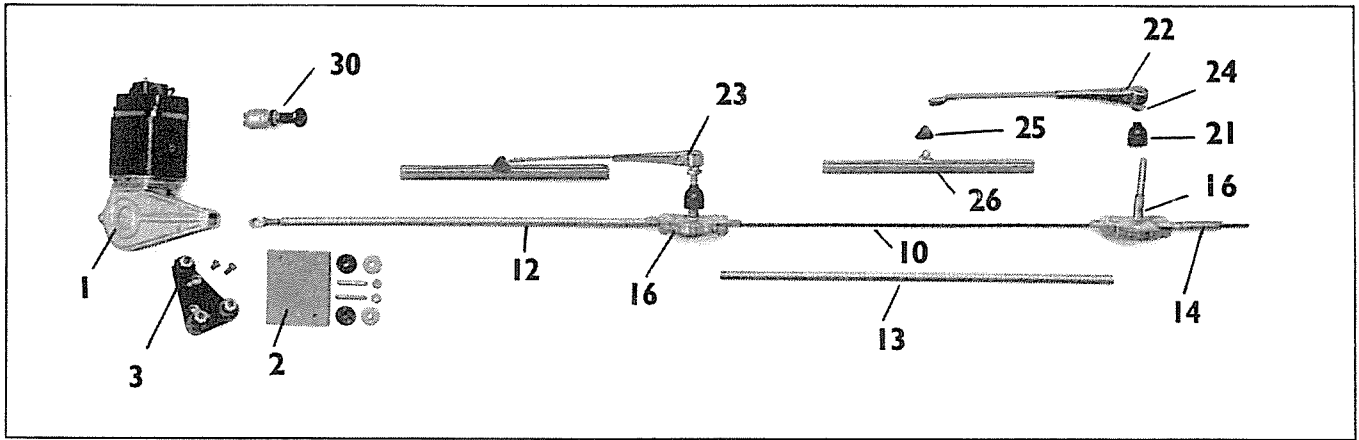
- |  |   |   |
|--|---|---|
| 1. Motor and gearbox (for details see pages R5-R7).                | 10. Rack assembly, motor to wheelboxes.                       | 20. Control box, with switch and knob.  |
| 2. 2-stud motor fixing, set of parts.                              | 11. Outer casing, control box to right hand wheelbox.         | 21. Grommet, rubber, for wheelbox spindle.  |
| 3. 3-stud motor fixing (alternative to No. 2).                     | 12. Outer casing, motor to 1st wheelbox.                      | 22. Arm, right hand.  |
| 4. Rack assembly, motor to control box (for details see page R25). | 13. Outer casing, wheelbox to wheelbox.                       | 23. Arm, left hand.   |
| 5. Outer casing, motor to control box.                             | 14. Outer casing, right hand wheelbox, length 3".             | 24. Screw and collet assembly.  |
| 6. Outer casing, control box, length 3".                           | 15. Guide tube, right hand wheelbox.                          | 25. Stop, rubber.   |
| 7. Rack assembly, wheelboxes to control box.                       | 16. Wheelbox, without switch.                                 | 26. Blade or squeegee.  |
| 8. Outer casing, left hand wheelbox, length 4".                    | 17. Wheelbox, without switch, but with front and rear bushes. | 27. Blade, specially designed for curved windscreens.<br>(As illustration 16, page R1). |
| 9. Outer casing, left hand, wheelbox to control box.               | 18. Wheelbox, with switch and knob.                           | 28. Rubber and backing plate assembly.<br>(As illustration 15, page R1).                |
|  | 19. Wheelbox, without switch, but with parking knob.          | 29. Knob, wheelbox or control box.  |
|  |   | 30. Operating switch, for remote control.   |



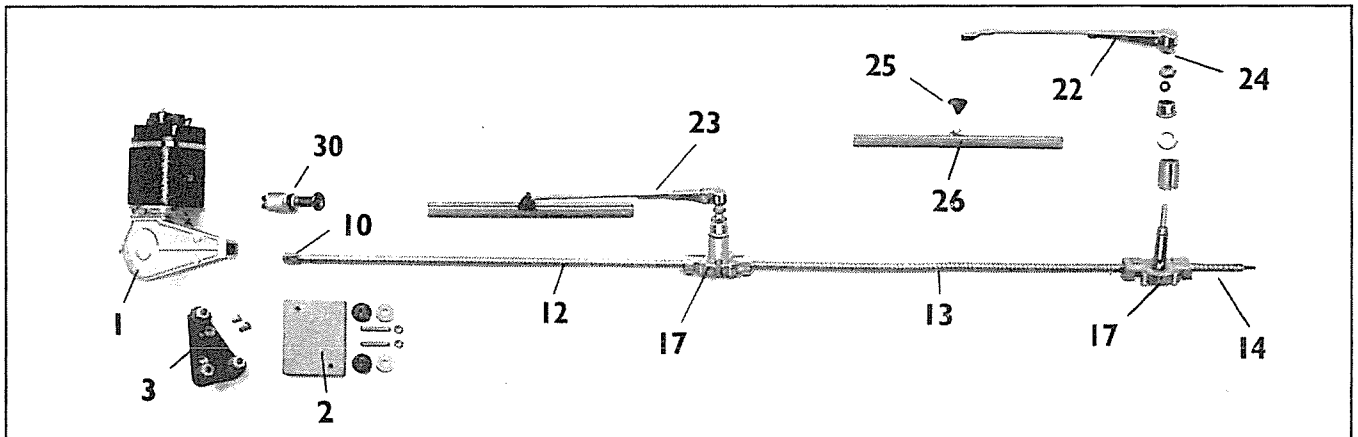
# CR AND CRT WINDSHIELD WIPERS



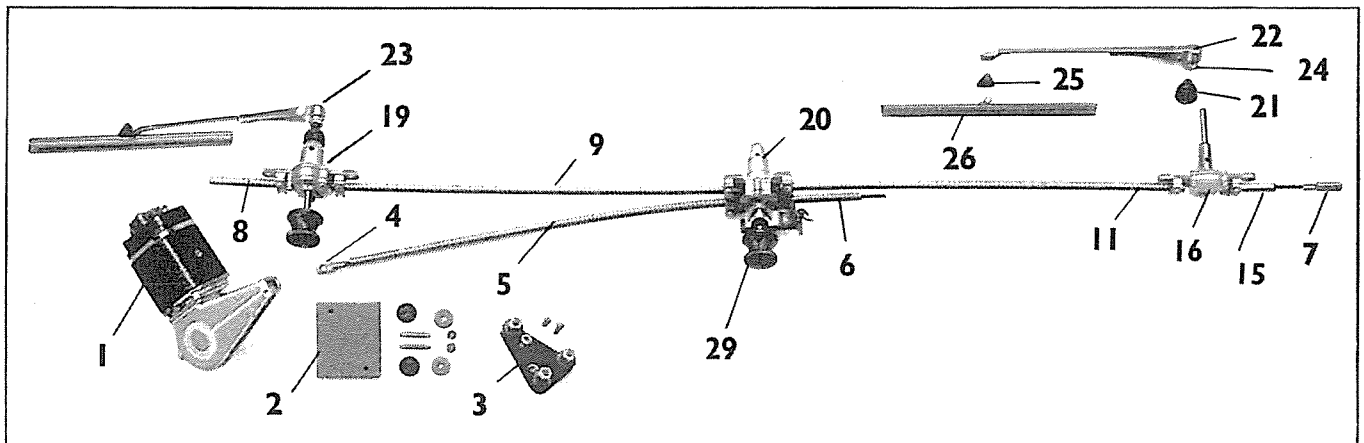
CR4 and CRT14. Dual Arm Arrangements, with separate operating switch



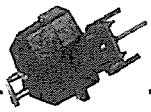
CR5 and CRT15. Single or Dual Arm Arrangements, with special Wheelboxes and separate operating switch



CR6 and CRT16. Single, Dual or Triple Arm Arrangements, with Control Box



For key to illustrations, see bottom of page R2



# CW, CWX AND FW2 WINDSHIELD WIPERS

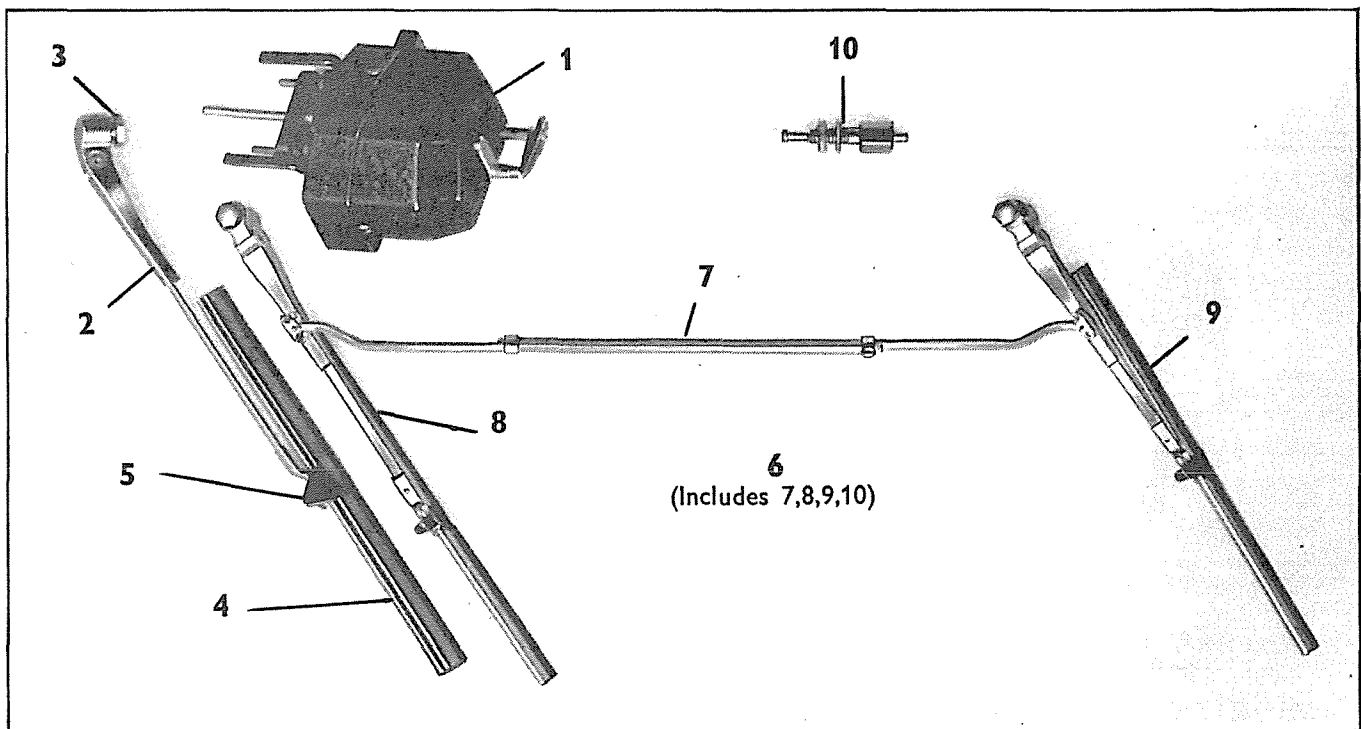
## MODELS CW, CWX AND FW2

### Model Interpretation

- CW1 Wiper, top of windscreen mounting.
- CW2 Wiper, bottom of windscreen mounting.
- CWX Wiper, universal windscreen mounting.
- FW2 As CW2, but later design.

The expression 'left hand' or 'right hand' is as viewed from driver's seat.

### CW, CWX and FW2. Single and Dual Arm Arrangements

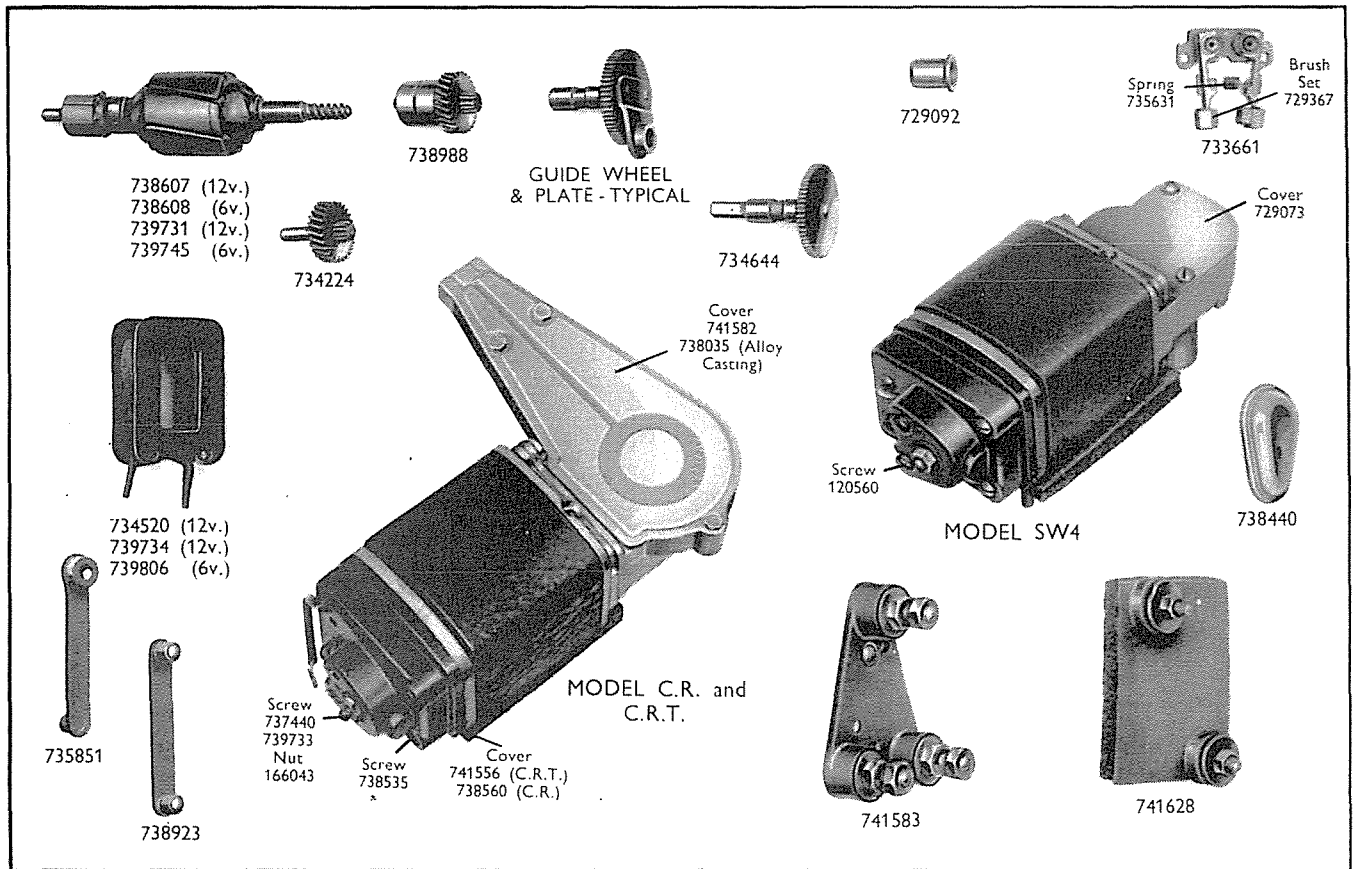


### KEY TO ILLUSTRATIONS

- |                               |   |
|-------------------------------|---|
| 1. Motor assembly.            | 6. Dual arm attachment, complete (CW and CWX only). |
| 2. Arm, single.               | 7. Coupling bar assembly.                           |
| 3. Screw and collet assembly. | 8. Arm, right hand.                                 |
| 4. Blade or squeegee.         | 9. Arm, left hand.                                  |
| 5. Stop, rubber.              | 10. Bearing assembly, auxiliary arm.                |

*For details of dual arm attachments available, see pages R40-R42*

# CR, CRT AND SW4 MOTORS (Windshield Wiper)



## DETAILED SPARE PARTS

Part No.	†75053J	†75053K	†75055K	†75055L	†75062J	†75062K	†75063K
Model	CR	CR	CR	CR	CR	CR	CR
Voltage	12	12	12	12	12	12	12
Angle of wipe	130°	130°	130°	130°	160°	160°	160°
Replaced by (see footnote)	(75150)	(75150)	(75152)	(75152)	(75161)	(75161)	(75148)
§Cover	738560	738560	738560	738560	738560	738560	738560
Screw, cover fixing	738535	738535	738535	738535	738535	738535	738535
Screw, thrust	737440	737440	737440	737440	737440	737440	737440
Nut, adjusting	166043	166043	166043	166043	166043	166043	166043
Screw, grub, terminal	120560	120560	120560	120560	120560	120560	120560
§Brushgear	733661	733661	733661	733661	733661	733661	733661
§Brushes, set	729367	729367	729367	729367	729367	729367	729367
Spring, brush	735631	735631	735631	735631	735631	735631	735631
§Armature	738607	738607	738607	738607	738607	738607	738607
§Coil, field	734520	734520	734520	734520	734520	734520	734520
§Fixing studs, set	741628	741628	741583	741583	741628	741628	741583
Cover, gearbox	738035	741582	738035	741582	738035	741582	738035
Worm wheel, pinion and bearing	738988	738988	738988	738988	738988	738988	738988
Bush, body	729092	729092	729092	729092	729092	729092	729092
Connecting rod	735851	738923	735851	738923	735851	738923	735851
Cap, end, gear spindle	738440	738440	738440	738440	738440	738440	738440
§Guide wheel and plate	738893	738908	738893	738908	738896	738910	738896
Gear and spindle	—	—	—	—	—	—	—
Gear and pinion	—	—	—	—	—	—	—
§Sundry parts, set	741596	741596	741596	741596	741596	741596	741596

For detailed spare parts, see also pages R6-R7

Note. For replacement motor spare parts, see appropriate column under part number  
 § Recommended spares for stock

† When ordering, quote part number shown in brackets

continued



# CR, CRT AND SW4 MOTORS (Windshield Wiper)

## DETAILED SPARE PARTS

Part No. . . . .	†75063L	†75064J	†75064K	‡75065A	‡75066A	†75067K	†75067L
Model . . . . .	CR	CR	CR	SW4	SW4	CR	CR
Voltage . . . . .	12	12	12	6	12	12	12
Angle of wipe . . . . .	160°	140°	140°	120°	120°	140°	140°
Replaced by (see footnote) . . . . .	(75148)	(75145)	(75145)	—	—	(75158)	(75158)
(1) §Cover . . . . .	738560	738560	738560	738560	738560	738560	738560
(2) Screw, cover fixing . . . . .	738535	738535	738535	738535	738535	738535	738535
(3) Screw, thrust . . . . .	737440	737440	737440	737440	737440	737440	737440
(4) Nut, adjusting . . . . .	166043	166043	166043	166043	166043	166043	166043
(5) Screw, grub, terminal . . . . .	120560	120560	120560	120560	120560	120560	120560
(6) §Brushgear . . . . .	733661	733661	733661	733661	733661	733661	733661
(7) § Brushes, set . . . . .	729367	729367	729367	729367	729367	729367	729367
(8) Spring, brush . . . . .	735631	735631	735631	735631	735631	735631	735631
(9) §Armature . . . . .	738607	738607	738607	738608	738607	738607	738607
(10) §Coil, field . . . . .	734520	734520	734520	739806	734520	734520	734520
(11) §Fixing studs, set . . . . .	741583	741628	741628	741628	741628	741583	741583
(12) Cover, gearbox . . . . .	741582	738035	741582	729073	729073	738035	741582
(13) Worm wheel, pinion and bearing . . . . .	738988	738988	738988	—	—	738988	738988
(14) Bush, body . . . . .	729092	729092	729092	729092	729092	729092	729092
(15) Connecting rod . . . . .	738923	735851	738923	—	—	735851	738923
(16) Cap, end, gear spindle . . . . .	738440	738440	738440	—	—	738440	738440
(17) §Guide wheel and plate . . . . .	738910	738894	738909	—	—	738894	738909
(18) Gear and spindle . . . . .	—	—	—	734644	734644	—	—
(19) Gear and pinion . . . . .	—	—	—	734224	734224	—	—
(20) §Sundry parts, set . . . . .	741596	741596	741596	—	—	741596	741596

Part No. . . . .	†75092B	†75100A/B	75143A/B	75144A/B	75145A/B	75146A/B	75148A/B
Model . . . . .	CR	CR	CRT	CRT	CRT	CRT	CRT
Voltage . . . . .	12	12	12	12	12	12	12
Angle of wipe . . . . .	150°	105°	95°	120°	140°	105°	160°
Replaced by (see footnote) . . . . .	(75145)	(75146)	—	—	—	—	—
(1) §Cover . . . . .	738560	738560	741556	741556	741556	741556	741556
(2) Screw, cover fixing . . . . .	738535	738535	738535	738535	738535	738535	738535
(3) Screw, thrust . . . . .	737440	737440	739733	739733	739733	739733	739733
(4) Nut, adjusting . . . . .	166043	166043	166043	166043	166043	166043	166043
(5) Screw, grub, terminal . . . . .	120560	120560	120560	120560	120560	120560	120560
(6) §Brushgear . . . . .	733661	733661	733661	733661	733661	733661	733661
(7) § Brushes, set . . . . .	729367	729367	729367	729367	729367	729367	729367
(8) Spring, brush . . . . .	735631	735631	735631	735631	735631	735631	735631
(9) §Armature . . . . .	738607	738607	739731	739731	739731	739731	739731
(10) §Coil, field . . . . .	734520	734520	739734	739734	739734	739734	739734
(11) §Fixing studs, set . . . . .	741628	741628	741583	741628	741628	741628	741583
(12) Cover, gearbox . . . . .	738035	738035	741582	741582	741582	741582	741582
(13) Worm wheel, pinion and bearing . . . . .	738988	738988	738988	738988	738988	738988	738988
(14) Bush, body . . . . .	729092	729092	—	—	—	—	—
(15) Connecting rod . . . . .	735851	735851	738923	738923	738923	738923	738923
(16) Cap, end, gear spindle . . . . .	738440	738440	738440	738440	738440	738440	738440
(17) §Guide wheel and plate . . . . .	738895	738891	738905	738907	738909	738906	738910
(18) Gear and spindle . . . . .	—	—	—	—	—	—	—
(19) Gear and pinion . . . . .	—	—	—	—	—	—	—
(20) §Sundry parts, set . . . . .	741596	741596	741596	741596	741596	741596	741596

For illustrations, see page R5

Note. For replacement motor spare parts, see appropriate column under part number † When ordering, quote part number shown in brackets  
 ‡ Offer Conversion Set 072853; for details see page R43 § Recommended spares for stock ¶ Offer Conversion Set 072896; for details see page R43

# CR, CRT AND SW4 MOTORS (Windshield Wiper)



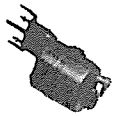
## DETAILED SPARE PARTS

†75068K CR 12 150° (75179)	†75068L CR 12 150° (75179)	†75074H CR 12 120° (75144)	†75074J CR 12 120° (75144)	†75075J CR 12 120° (75153)	†75075K CR 12 120° (75153)	†75084K CR 12 95° (75143)	†75084L CR 12 95° (75143)	†75087L CR 12 120° (75153)	†75087M CR 12 120° (75153)	†75088L CR 12 105° (75151)	†75088M CR 12 105° (75151)		
738560	738560	738560	738560	738560	738560	738560	738560	738560	738560	738560	738560	738560	(1)
738535	738535	738535	738535	738535	738535	738535	738535	738535	738535	738535	738535	738535	(2)
737440	737440	737440	737440	737440	737440	737440	737440	737440	737440	737440	737440	737440	(3)
166043	166043	166043	166043	166043	166043	166043	166043	166043	166043	166043	166043	166043	(4)
120560	120560	120560	120560	120560	120560	120560	120560	120560	120560	120560	120560	120560	(5)
733661	733661	733661	733661	733661	733661	733661	733661	733661	733661	733661	733661	733661	(6)
729367	729367	729367	729367	729367	729367	729367	729367	729367	729367	729367	729367	729367	(7)
735631	735631	735631	735631	735631	735631	735631	735631	735631	735631	735631	735631	735631	(8)
738607	738607	738607	738607	738607	738607	738607	738607	738607	738607	738607	738607	738607	(9)
734520	734520	734520	734520	734520	734520	734520	734520	734520	734520	734520	734520	734520	(10)
741583	741583	741628	741628	741583	741583	741583	741583	741583	741583	741583	741583	741583	(11)
738035	741582	738035	741582	738035	741582	738035	741582	738035	741582	738035	741582	738035	(12)
738988	738988	738988	738988	738988	738988	738988	738988	738988	738988	738988	738988	738988	(13)
729092	729092	729092	729092	729092	729092	729092	729092	729092	729092	729092	729092	729092	(14)
735851	738923	735851	738923	735851	738923	735851	738923	735851	738923	735851	738923	735851	(15)
738440	738440	738440	738440	738440	738440	738440	738440	738440	738440	738440	738440	738440	(16)
738895	738910	738892	738907	738892	738907	738890	738905	738892	738907	738891	738906	738906	(17)
—	—	—	—	—	—	—	—	—	—	—	—	—	(18)
—	—	—	—	—	—	—	—	—	—	—	—	—	(19)
741596	741596	741596	741596	741596	741596	741596	741596	741596	741596	741596	741596	741596	(20)

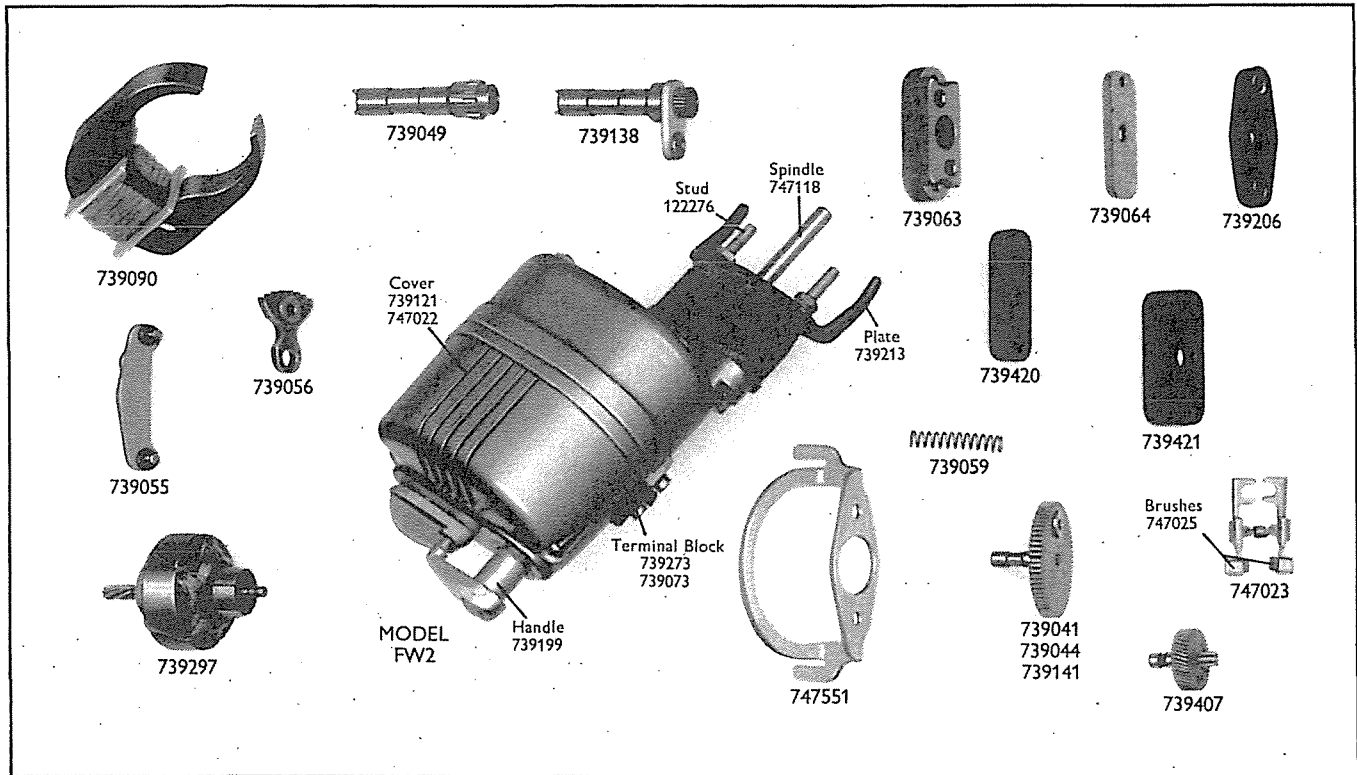
75149A CRT 6 140° —	75150A/B CRT 12 130° —	75151A/B CRT 12 105° —	75152A/B CRT 12 130° —	75153A/B CRT 12 120° —	75158A/B CRT 12 140° —	75161A CRT 12 160° —	75167A/B CRT 6 130° —	75179A/B CRT 12 150° —	75229A/B CRT 6 120° —	†75230A/E CRT 12 130° (75150)	75299A/B CRT 12 95° —		
741556	741556	741556	741556	741556	741556	741556	741556	741556	741556	741556	741556	741556	(1)
738535	738535	738535	738535	738535	738535	738535	738535	738535	738535	738535	738535	738535	(2)
739733	739733	739733	739733	739733	739733	739733	739733	739733	739733	739733	739733	739733	(3)
166043	166043	166043	166043	166043	166043	166043	166043	166043	166043	166043	166043	166043	(4)
120560	120560	120560	120560	120560	120560	120560	120560	120560	120560	120560	120560	120560	(5)
733661	733661	733661	733661	733661	733661	733661	733661	733661	733661	733661	733661	733661	(6)
729367	729367	729367	729367	729367	729367	729367	729367	729367	729367	729367	729367	729367	(7)
735631	735631	735631	735631	735631	735631	735631	735631	735631	735631	735631	735631	735631	(8)
739745	739731	739731	739731	739731	739731	739731	739745	739731	739745	739731	739731	739731	(9)
739806	739734	739734	739734	739734	739734	739734	739806	739734	739806	739734	739734	739734	(10)
741583	741628	741583	741583	741583	741583	741628	741628	741583	741628	741628	741628	741628	(11)
741582	741582	741582	741582	741582	741582	741582	741582	741582	741582	741582	741582	741582	(12)
738988	738988	738988	738988	738988	738988	738988	738988	738988	738988	738988	738988	738988	(13)
—	—	—	—	—	—	—	—	—	—	—	—	—	(14)
738923	738923	738923	738923	738923	738923	738923	738923	738923	738923	738923	738923	738923	(15)
738440	738440	738440	738440	738440	738440	738440	738440	738440	738440	738440	738440	738440	(16)
738909	738908	738906	738908	738907	738909	738910	738908	738910	738907	738908	738905	738905	(17)
—	—	—	—	—	—	—	—	—	—	—	—	—	(18)
—	—	—	—	—	—	—	—	—	—	—	—	—	(19)
741596	741596	741596	741596	741596	741596	741596	741596	741596	741596	741596	741596	741596	(20)

For illustrations, see page R5

† When ordering, quote part number shown in brackets



# FW2 MOTORS (Windshield Wiper)



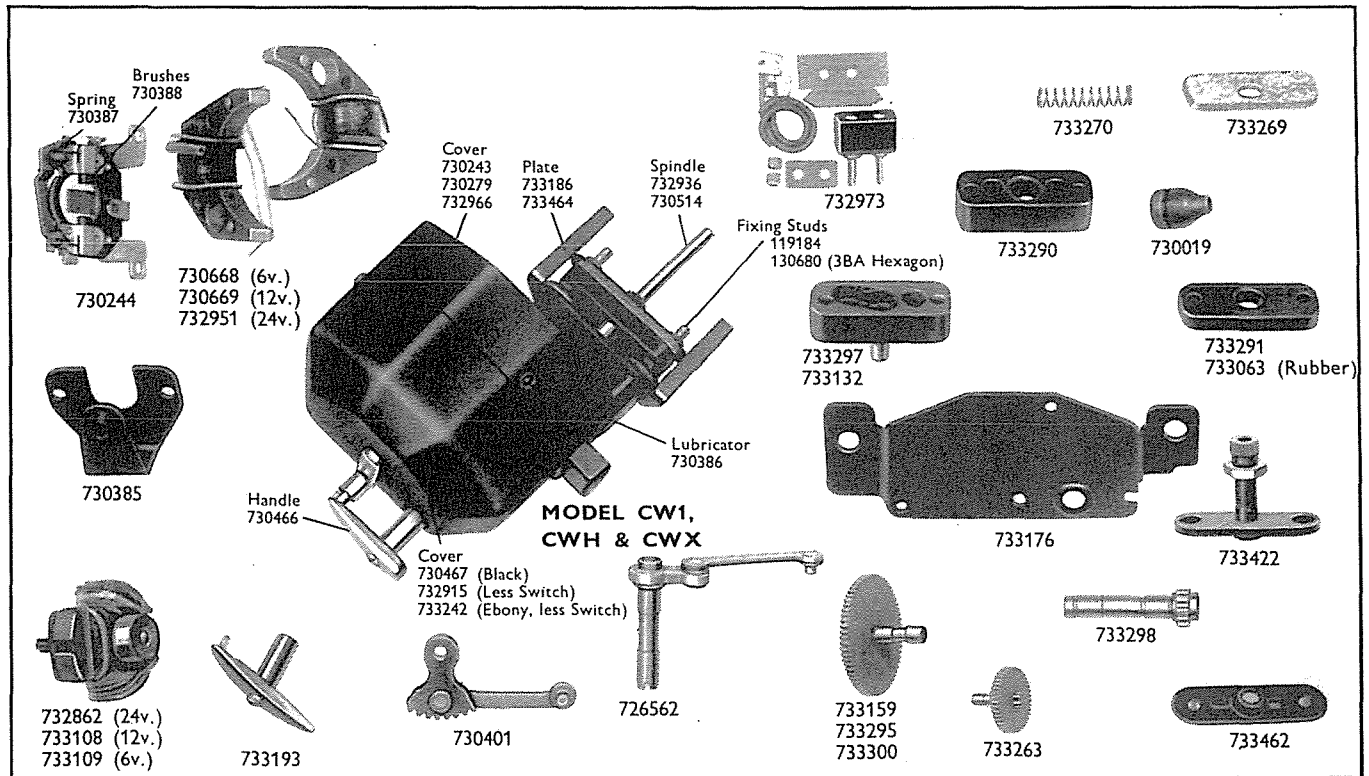
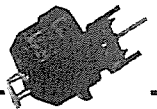
## DETAILED SPARE PARTS

Part No.	75113A/B	75113D/F	†75244A/E	†75285A/F	†75304A/D	75324A	†75334A	073004D
Model	FW2	FW2	FW2	FW2	FW2	FW2	FW2	FW2
Voltage	12	12	12	12	12	12	12	12
Angle of wipe	150°	110°	130°	110°	130°	130°	110°	130°
Replaced by (see footnote)	—	—	(073004)	(75113)	(073004)	—	(75113)	—
§Cover and switch	739121	739121	739121	739121	739121	747022	739121	739121
§Brushgear	747023	747023	747023	747023	747023	747023	747023	747023
§Brushes, set	747025	747025	747025	747025	747025	747025	747025	747025
§Armature	739297	739297	739297	739297	739297	739297	739297	739297
§Pole, and coil set	739090	739090	739090	739090	739090	739090	739090	739090
Stud, motor fixing	122276	122276	122276	122276	122276	122276	122276	122276
Sector	739056	—	739056	—	739056	739056	—	739056
Bush, oscillating	739049	739138	739049	739138	739049	739049	739138	739049
Connecting rod	739055	739055	739055	739055	739055	739055	739055	739055
§Shaft and gear	739044	739141	739041	739141	739041	739041	739141	739041
Gear and pinion	739407	739407	739407	739407	739407	739407	739407	739407
§Handle, parking	739199	739199	739199	739199	739199	739199	739199	739199
Spindle	747118	747118	747118	747118	747118	747118	747118	747118
Spring, spindle	739059	739059	739059	739059	739059	739059	739059	739059
Terminal block	739273	739273	739273	739273	739273	739073	739273	739273
Block, packing, with bearing	739063	739063	739063	739063	739063	739063	739063	739063
Packing piece, 1/4"	—	—	739420	739420	739420	—	—	739420
Packing piece, 1/2"	—	—	739421	739421	739421	—	—	739421
Packing, langite	—	—	739064	739064	739064	—	—	739064
Plate, stop	747551	747551	739213	739213	739213	739213	747551	739213
Seal, rubber	739206	739206	739206	739206	739206	739206	747306	739206
§Sundry parts, set	739154	739154	739154	739154	739154	739154	739154	739154
§Arm	—	—	—	—	—	—	—	735099
§Blade	—	—	—	—	—	—	—	727707
§Stop, rubber	—	—	—	—	—	—	—	730185

Note. For replacement motor spare parts, see appropriate column under part number  
 § Recommended spares for stock

† When ordering, quote part number shown in brackets

# CWI, CWH AND CWX MOTORS (Windshield Wiper)



## DETAILED SPARE PARTS

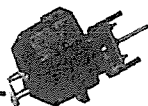
Part No.	†75003B	†75027A	†75041E	†75047A	†75048A	†75049A	75051D	†75054A
Model	CW1	CW1	CW1	CW1	CW1	CW1	CW1	CW1
Voltage	6	12	12	6	12	12	12	12
Angle of wipe	150°	130°	150°	130°	130°	150°	150°	130°
Replaced by (see footnote)	(732481)	(732480)	(732480)	(75073)	(732480)	(732480)	—	(732480)
§Cover	730467	730467	730467	730467	730467	730467	730467	730467
§Brushgear	730244	730244	730244	730244	730244	730244	730244	730244
§Brushes, set	730388	730388	730388	730388	730388	730388	730388	730388
Spring, brush	730387	730387	730387	730387	730387	730387	730387	730387
§Armature	733109	733108	733108	733109	733108	733108	733108	733108
§Pole, and coil set	730668	730669	730669	730668	730669	730669	730669	730669
§Stud, motor fixing	119184	119184	119184	119184	119184	119184	119184	119184
Lubricator, with wick	730386	730386	730386	730386	730386	730386	730386	730386
Gear, intermediate, with pinion	733263	733263	733263	733263	733263	733263	733263	733263
Sector	730401	730401	730401	730401	730401	730401	730401	730401
Bush, oscillating	733298	733298	733298	733298	733298	733298	733298	733298
§Guide wheel	733300	733295	733300	733295	733295	733300	733300	733295
Handle, parking, with nut	730466	730466	730466	730466	730466	730466	730466	730466
Spindle	732936	732936	732936	732936	732936	732936	732936	732936
Spring, spindle	733270	733270	733270	733270	733270	733270	733270	733270
Cover, rear, with fixing parts	730243	730243	730243	730243	730243	730243	730243	730243
Protector plate	733462	733462	733462	—	733462	733462	733462	733462
Packing piece, with bearing	733297	733132	733297	733422	733297	733297	733132	733297
Packing piece, 1/4"	733291	—	733291	733291	—	—	—	—
Packing piece, 1/2"	—	—	733290	733290	—	—	—	—
Packing, langite or rubber	733269	733269	733269	—	733269	733269	733269	733269
Plate, stop	733186	—	733186	—	733186	733186	—	—
Grommet, end cover	—	—	—	—	—	—	—	—
§Sundry parts, set	733439	733439	733439	733439	733439	733439	733439	733439

For detailed spare parts, see also pages R10-R11

Note. For replacement motor spare parts, see appropriate column under part number  
 § Recommended spares for stock

† When ordering, quote part number shown in brackets

continued



# CWI, CWH AND CWX MOTORS (Windshield Wiper)

## DETAILED SPARE PARTS

Part No. . . . .	75056A	†75059A	†75069B	†75070A	75073A	†75077A	75081A	75089B
Model . . . . .	CW1	CW1	CW1	CW1	CW1	CW1	CWH	CW1
Voltage . . . . .	6	12	12	12	6	6	6	12
Angle of wipe . . . . .	100°	150°	130°	130°	100°	100°	—	100°
Replaced by (see footnote) . . . . .	—	(732480)	(732480)	(732480)	—	(732481)	—	—
(1) §Cover . . . . .	730467	730467	730467	730467	730467	732915	730467	730467
(2) §Brushgear . . . . .	730244	730244	730244	730244	730244	730244	730244	730244
(3) §Brushes, set . . . . .	730388	730388	730388	730388	730388	730388	730388	730388
(4) Spring, brush . . . . .	730387	730387	730387	730387	730387	730387	—	730387
(5) §Armature . . . . .	733109	733108	733108	733108	733109	733109	733109	733108
(6) §Pole, and coil set . . . . .	730668	730669	730669	730669	730668	730668	730668	730669
(7) §Stud, motor fixing . . . . .	119184	119184	119184	119184	—	119184	—	119184
(8) Lubricator, with wick . . . . .	730386	730386	730386	730386	730386	730386	—	730386
(9) Gear, intermediate, with pinion . . . . .	733263	733263	733263	733263	733263	733263	—	733263
(10) Sector . . . . .	—	730401	730401	730401	—	—	—	—
(11) Bush, oscillating . . . . .	726562	733298	733298	733298	726562	726562	—	726562
(12) §Guide wheel . . . . .	733159	733300	733295	733295	733159	733159	—	733159
(13) Handle, parking, with nut . . . . .	730466	730466	730466	730466	730466	—	730466	—
(14) Spindle . . . . .	732936	732936	732936	732936	732936	732936	730514	732936
(15) Spring, spindle . . . . .	733270	733270	733270	733270	733270	733270	—	733270
(16) Cover, rear, with fixing parts . . . . .	730243	730243	730243	730243	730243	730243	—	730243
(17) Protector plate . . . . .	733462	733462	733462	—	—	—	—	733462
(18) Packing piece, with bearing . . . . .	733297	733297	733297	733297	733422	733132	—	733132
(19) Packing piece, 1/4" . . . . .	—	—	—	733291	733291	—	—	733291
(20) Packing piece, 1/2" . . . . .	—	—	—	—	733290	—	—	—
(21) Packing, langite or rubber . . . . .	733269	733269	733269	733269	—	733269	—	733269
(22) Plate, stop . . . . .	—	—	733186	733186	—	—	—	—
(23) Grommet, end cover . . . . .	—	—	—	—	—	—	—	—
(24) §Sundry parts, set . . . . .	733439	733439	733439	733439	733439	733439	—	733439

Part No. . . . .	75129A	75130A/B	75138B	75165A	75168A	75193A	†75196A	75197A/B
Model . . . . .	CW1	CW1	CW1	CW1	CW1	CW1	CW1	CW1
Voltage . . . . .	12	12	12	6	12	24	12	12
Angle of wipe . . . . .	100°	150°	100°	150°	150°	100°	150°	150°
Replaced by (see footnote) . . . . .	—	—	—	—	—	—	(732480)	—
(1) §Cover . . . . .	730467	730467	730467	730467	730467	730467	730467	730467
(2) §Brushgear . . . . .	730244	730244	730244	730244	730244	730244	730244	730244
(3) §Brushes, set . . . . .	730388	730388	730388	730388	730388	730388	730388	730388
(4) Spring, brush . . . . .	730387	730387	730387	730387	730387	730387	730387	730387
(5) §Armature . . . . .	733108	733108	733108	733109	733108	732862	733108	733108
(6) §Pole, and coil set . . . . .	730669	730669	730669	730668	730669	732951	730669	730669
(7) §Stud, motor fixing . . . . .	—	119184	119184	130680	119184	—	119184	119184
(8) Lubricator, with wick . . . . .	730386	730386	730386	730386	730386	730386	730386	730386
(9) Gear, intermediate, with pinion . . . . .	733263	733263	733263	733263	733263	733263	733263	733263
(10) Sector . . . . .	—	730401	—	730401	730401	—	730401	730401
(11) Bush, oscillating . . . . .	726562	733298	726562	733298	733298	726562	733298	733298
(12) §Guide wheel . . . . .	733159	733300	733159	733300	733300	733159	733300	733300
(13) Handle, parking, with nut . . . . .	733193	730466	730466	730466	730466	730466	730466	730466
(14) Spindle . . . . .	732936	732936	732936	732936	732936	732936	732936	732936
(15) Spring, spindle . . . . .	733270	733270	733270	733270	733270	733270	733270	733270
(16) Cover, rear, with fixing parts . . . . .	730243	730243	730243	733176	732966	730243	730243	730243
(17) Protector plate . . . . .	—	—	733462	†730279	733462	—	—	733462
(18) Packing piece, with bearing . . . . .	733422	733297	733132	730385	733297	733422	733132	733132
(19) Packing piece, 1/4" . . . . .	733291	—	—	—	733291	733291	—	—
(20) Packing piece, 1/2" . . . . .	733290	—	—	—	—	733290	—	—
(21) Packing, langite or rubber . . . . .	—	733269	—	730266	733269	—	733269	733269
(22) Plate, stop . . . . .	—	733186	733464	—	733186	—	733186	733186
(23) Grommet, end cover . . . . .	—	—	—	730019	—	—	—	—
(24) §Sundry parts, set . . . . .	733439	733439	733439	733439	733439	733439	733439	733439
(25) §Wiper arm . . . . .	—	—	—	—	—	—	—	—
(26) §Wiper blade . . . . .	—	—	—	—	—	—	—	—
(27) §Stop, rubber . . . . .	—	—	—	—	—	—	—	—

For illustrations, see page R9

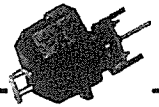
Note. For replacement motor spare parts, see appropriate column under part number  
 § Recommended spares for stock

† When ordering, quote part number shown in brackets

‡ Blackplate



# CWI, CWH AND CWX MOTORS (Windshield Wiper)



## DETAILED SPARE PARTS

75091A	†75095A	75096A	75097A/B	75107A	†75120A	†75121A	75122B	†75126A	†75127A	75128A	
CW1	CW1	CW1	CW1	CW1	CWX	CWX	CW1	CW1	CW1	CW1	
12	6	12	12	12	12	6	12	12	6	12	
100°	150°	150°	100°	100°	130°	130°	150°	150°	150°	130°	
—	(732481)	—	—	—	(732480)	(732481)	—	(732480)	(732481)	—	
730467	730467	730467	730467	730467	730467	730467	730467	730467	730467	730467	730467 (1)
730244	730244	730244	730244	730244	730244	730244	730244	730244	730244	730244	730244 (2)
730388	730388	730388	730388	730388	730388	730388	730388	730388	730388	730388	730388 (3)
730387	730387	730387	730387	730387	730387	730387	730387	730387	730387	730387	730387 (4)
733108	733109	733108	733108	733108	733108	733109	733108	733108	733109	733108	733108 (5)
730669	730668	730669	730669	730669	730669	730669	730669	730669	730669	730668	730669 (6)
119184	119184	119184	119184	—	119184	119184	119184	119184	119184	119184	— (7)
730386	730386	730386	730386	730386	730386	730386	730386	730386	730386	730386	730386 (8)
733263	733263	733263	733263	733263	733263	733263	733263	733263	733263	733263	733263 (9)
—	730401	730401	—	—	730401	730401	730401	730401	730401	730401	730401 (10)
726562	733298	733298	726562	726562	733298	733298	733298	733298	733298	733298	733298 (11)
733159	733300	733300	733159	733159	733295	733295	733300	733300	733300	733300	733295 (12)
730466	730466	730466	—	730466	730466	730466	730466	730466	730466	730466	732879 (13)
732936	732936	732936	732936	732936	732936	732936	732936	732936	732936	732936	732936 (14)
733270	733270	733270	733270	733270	733270	733270	733270	733270	733270	733270	733270 (15)
730243	730243	730243	730243	732966	730243	730243	730243	730243	730243	730243	730243 (16)
733462	733462	—	733462	—	733462	733462	733462	733462	733462	—	— (17)
733297	733297	733132	733132	733422	733297	733297	733297	733297	733297	733297	733422 (18)
733291	733291	733291	—	733291	733291	733291	733291	733291	733291	733291	733291 (19)
—	—	—	—	733290	733290	733290	—	733290	733290	733290	733290 (20)
—	733269	733269	—	—	733269	733269	733269	733269	733269	733269	— (21)
—	—	—	—	—	733186	733186	733186	—	—	—	— (22)
—	—	—	—	—	—	—	—	—	—	—	— (23)
733439	733439	733439	733439	733439	733439	733439	733439	733439	733439	733439	733439 (24)

75198A	75202A	†75277A	75368A	†730292	732480	732481	†733068	733071	†733107	†733147	733179	†733189
CW1	CW1	CW1	CW1	CW1	CWX	CWX	CW1	CW1	CW1	CW1	CW1	CW1
12	24	12	12	12	12	6	12	12	12	12	12	12
130°	130°	150°	150°	150°	130°	130°	130°	130°	100°	150°	150°	150°
—	—	(732480)	—	(732480)	—	—	(732480)	—	(732480)	(732480)	—	(732480)
730467	730467	730467	730467	730467	730467	730467	730467	730467	732915	730467	730467	730467 (1)
730244	730244	730244	730244	730244	730244	730244	730244	730244	730244	730244	730244	730244 (2)
730388	730388	730388	730388	730388	730388	730388	730388	730388	730388	730388	730388	730388 (3)
730387	730387	730387	730387	730387	730387	730387	730387	730387	730387	730387	730387	730387 (4)
733108	732862	733108	733108	733108	733108	733109	733108	733108	733108	733108	733108	733108 (5)
730669	732951	730669	730669	730669	730669	730668	730669	730669	730669	730669	730669	730669 (6)
119184	119184	119184	—	119184	119184	119184	—	119184	119184	119184	130680	119184 (7)
730386	730386	730386	730386	730386	730386	730386	—	730386	730386	730386	730386	730386 (8)
733263	733263	733263	733263	733263	733263	733263	733263	733263	733263	733263	733263	733263 (9)
730401	730401	730401	730401	730401	730401	730401	730401	730401	—	730401	730401	730401 (10)
733298	733298	733298	733298	733298	733298	733298	733298	733298	726562	733298	733298	733298 (11)
733295	733295	733300	733300	733300	733295	733295	733300	733295	733159	733300	733300	733300 (12)
730466	730466	730466	730466	730466	730466	730466	730466	730466	—	730466	730466	730466 (13)
732936	732936	732936	732936	732936	732936	732936	732936	732936	732936	732936	732936	732936 (14)
733270	733270	733270	733270	733270	733270	733270	733270	733270	733270	733270	733270	733270 (15)
730243	730243	730243	730243	730243	730243	730243	730243	730243	730243	730243	730243	730243 (16)
733462	733462	—	733422	—	733462	733462	—	733462	—	—	—	733462 (17)
733297	733297	733132	—	733132	733297	733297	733297	733297	733132	733132	730385	733297 (18)
733291	733291	733291	733291	—	733291	733291	—	—	733291	733291	—	— (19)
—	—	—	733290	—	733290	733290	—	—	—	—	†730279	— (20)
733269	733063	733269	—	733269	733269	733269	733269	733269	733269	733269	730266	733269 (21)
733186	—	733186	—	—	733186	733186	—	733464	—	733186	—	— (22)
—	—	—	—	—	—	—	—	—	—	—	730019	— (23)
733439	733439	733439	733439	733439	733439	733439	733439	733439	733439	733439	733439	733439 (24)
—	—	—	—	—	735099	735099	—	—	—	—	—	— (25)
—	—	—	—	—	727707	727707	—	—	—	—	—	— (26)
—	—	—	—	—	730185	730185	—	—	—	—	—	— (27)

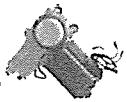
For illustrations, see page R9

† When ordering, quote part number shown in brackets

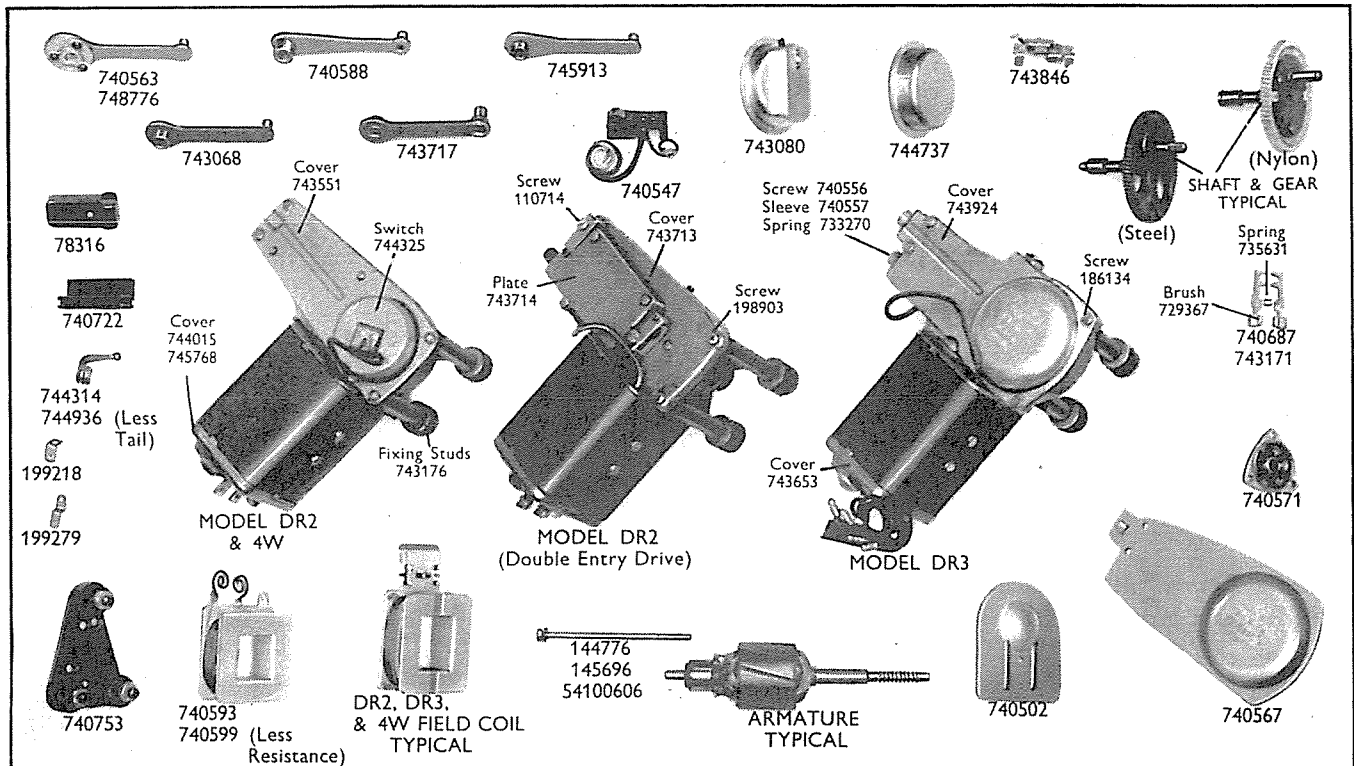
‡ Backplate, packing

§ Recommended spares for stock

|| Plate, fixing



# DRI, DR2 AND DR3 MOTORS (Windshield Wiper)



## DETAILED SPARE PARTS

Part No. . . . .	†75147A/D	†75147E/H	†75170A	†75172A/B	†75172D/F	†75174A/D	†75174E/F	†75177A
Model . . . . .	DR1	DR1	DR1	DR1	DR1	DR1	DR1	DR1
Voltage . . . . .	12	12	12	12	12	12	12	12
Speed . . . . .	Two	Two	Two	Single	Single	Single	Single	Two
Angle of wipe . . . . .	110°	110°	110°	120°	120°	130°	140°	110°
Replaced by (see footnote) . . . . .	(75231)	(75231)	(75331 & 745997)	(75311 & 745997)	(75311 & 745997)	(75296 & 745997)	(75296 & 745997)	(75213 & 745997)
Bolt or stud, fixing . . . . .	—	145696	145696	—	145696	—	145696	—
§Cover . . . . .	740502	740502	740502	740502	740502	740502	740502	740502
Cover and bearing, commutator end . . . . .	—	—	—	—	—	—	—	—
Screw, cover fixing . . . . .	—	—	—	—	—	—	—	—
Screw, earth lead . . . . .	—	—	—	—	—	—	—	—
§Brushgear . . . . .	740687	740687	740687	740687	740687	740687	740687	740687
§Brushes, set . . . . .	729367	729367	729367	729367	729367	729367	729367	729367
Spring, brush . . . . .	735631	735631	735631	735631	735631	735631	735631	735631
§Armature . . . . .	740616	740616	740616	740616	740616	740616	740616	740616
§Coil, field . . . . .	740593	740593	740593	740599	740599	740599	740599	740593
§Fixing studs, set . . . . .	740753	740753	740753	740753	740753	740753	740753	740753
Cover, gearbox . . . . .	740567	740567	740567	740567	740567	740567	740567	740567
Screw, gearbox cover . . . . .	—	—	—	—	—	—	—	—
Bearing, housing assembly . . . . .	740571	740571	740571	740571	740571	740571	740571	740571
Connecting rod . . . . .	740563	740563	740563	740563	740563	740588	740588	740563
§Shaft and gear . . . . .	745045	745045	745045	745046	745046	745047	745048	745045
Plate, cable rack cover . . . . .	—	—	—	—	—	—	—	—
Screw, clamp retaining . . . . .	—	—	—	—	—	—	—	—
§Switch . . . . .	740547	740547	740547	740547	740547	—	—	740547
Cover, gear . . . . .	—	—	—	—	—	—	—	—
Spring, contact switch . . . . .	—	—	—	—	—	—	—	—
Screw, parking switch adjusting . . . . .	740556	740556	740556	740556	740556	—	—	740556
Sleeve, adjusting screw . . . . .	740557	740557	740557	740557	740557	—	—	740557
Spring, adjusting screw . . . . .	733270	733270	733270	733270	733270	—	—	733270
Plate, gear stud locating . . . . .	—	—	—	—	—	—	—	—
Grommet, end cover . . . . .	740722	740722	—	740722	740722	740722	740722	740722
§Sundry parts, set . . . . .	740899	740899	740899	740899	740899	740899	740899	740899

For detailed spare parts, see also pages R13-R18

Note. For replacement motor spare parts, see appropriate column under part number  
 § Recommended spares for stock

† When ordering, quote part number shown in brackets

continued

# DRI, DR2 AND DR3 MOTORS (Windshield Wiper)



## DETAILED SPARE PARTS

Part No. . . . .	†75177B	†75177D	†75177E/F	†75181A	†75181B/H	†75181J	†75183A/B	75183D/E
Model . . . . .	DR1	DR1	DR1	DR1	DR1	DR1	DR1	DR1
Voltage . . . . .	12	12	12	12	12	12	12	12
Speed . . . . .	Two	Two	Two	Two	Two	Two	Two	Two
Angle of wipe . . . . .	110°	130°	130°	120°	120°	130°	120°	120°
Replaced by (see footnote) . . . . .	(75313 & 745997)	(75313 & 745997)	(75313 & 745997)	(75345 & 745997)	(75345 & 745997)	(75345 & 745997)	(75311 & 745997)	(75311 & 745997)
Bolt or stud, fixing . . . . .	145696	145696	145696	—	145696	145696	—	145696
§Cover . . . . .	740502	740502	740502	740502	740502	740502	740502	740502
Cover and bearing, commutator end . . . . .	—	—	—	—	—	—	—	—
Screw, cover fixing . . . . .	—	—	—	—	—	—	—	—
Screw, earth lead . . . . .	—	—	—	—	—	—	—	—
§Brushgear . . . . .	740687	740687	740687	740687	740687	740687	740687	740687
§Brushes, set . . . . .	729367	729367	729367	729367	729367	729367	729367	729367
Spring, brush . . . . .	735631	735631	735631	735631	735631	735631	735631	735631
§Armature . . . . .	740616	740616	740616	740616	740616	740616	740616	740616
§Coil, field . . . . .	740599	740599	740593	740593	740593	740593	740593	740593
§Fixing studs, set . . . . .	740753	740753	740753	740753	740753	740753	740753	740753
Cover, gearbox . . . . .	740567	740567	740567	740567	740567	740567	740567	740567
Screw, gearbox cover . . . . .	—	—	—	—	—	—	—	—
Bearing, housing assembly . . . . .	740571	740571	740571	740571	740571	740571	740571	740571
Connecting rod . . . . .	740563	740563	740563	740563	740563	740563	740563	740563
§Shaft and gear . . . . .	745045	745047	745047	745046	745046	745047	745046	745046
Plate, cable rack cover . . . . .	—	—	—	—	—	—	—	—
Screw, clamp retaining . . . . .	—	—	—	—	—	—	—	—
§Switch . . . . .	740547	740547	740547	740547	740547	740547	740547	740547
Cover, gear . . . . .	—	—	—	—	—	—	—	—
Spring, contact switch . . . . .	—	—	—	—	—	—	—	—
Screw, parking switch adjusting . . . . .	740556	740556	740556	740556	740556	740556	740556	740556
Sleeve, adjusting screw . . . . .	740557	740557	740557	740557	740557	740557	740557	740557
Spring, adjusting screw . . . . .	733270	733270	733270	733270	733270	733270	733270	733270
Plate, gear stud locating . . . . .	—	—	—	—	—	—	—	—
Grommet, end cover . . . . .	740722	740722	740722	740722	740722	740722	740722	740722
§Sundry parts, set . . . . .	740899	740899	740899	740899	740899	740899	740899	740899

Part No. . . . .	†75186A/H	†75187A/B	†75187D/F	†75188A/B	†75188D/E	†75192A/D	†75199A/D	†75200B
Model . . . . .	DR1	DR1	DR1	DR1	DR1	DR1	DR1	DR2
Voltage . . . . .	12	12	12	12	12	12	12	12
Speed . . . . .	Two	Two	Two	Two	Two	Single	Two	Single
Angle of wipe . . . . .	120°	130°	130°	110°	110°	130°	120°	130°
Replaced by (see footnote) . . . . .	(75331 & 745997)	(75309 & 745997)	(75309 & 745997)	(75319 & 745997)	(75319 & 745997)	(75296 & 745997)	(75310 & 745997)	(75296)
Bolt or stud, fixing . . . . .	145696	—	145696	—	145696	145696	145696	145696
§Cover . . . . .	740502	740502	740502	740502	740502	740502	740502	—
Cover and bearing, commutator end . . . . .	—	—	—	—	—	—	—	744015
Screw, cover fixing . . . . .	—	—	—	—	—	—	—	—
Screw, earth lead . . . . .	—	—	—	—	—	—	—	—
§Brushgear . . . . .	740687	740687	740687	740687	740687	740687	740687	743171
§Brushes, set . . . . .	729367	729367	729367	729367	729367	729367	729367	729367
Spring, brush . . . . .	735631	735631	735631	735631	735631	735631	735631	735631
§Armature . . . . .	740616	740616	740616	740616	740616	740616	740616	743029
§Coil, field . . . . .	740593	740593	740593	740593	740593	740599	740593	744009
§Fixing studs, set . . . . .	740753	740753	740753	740753	740753	740753	740753	743176
Cover, gearbox . . . . .	740567	740567	740567	740567	740567	740567	740567	743551
Screw, gearbox cover . . . . .	—	—	—	—	—	—	—	—
Bearing, housing assembly . . . . .	740571	740571	740571	740571	740571	740571	740571	—
Connecting rod . . . . .	740563	740563	740563	740563	740563	740588	740563	743068
§Shaft and gear . . . . .	745047	745047	745047	745045	745045	745047	745046	743172
Plate, cable rack cover . . . . .	—	—	—	—	—	—	—	—
Screw, clamp retaining . . . . .	—	—	—	—	—	—	—	—
§Switch . . . . .	740547	740547	740547	740547	740547	—	740547	743080
Cover, gear . . . . .	—	—	—	—	—	—	—	—
Spring, contact switch . . . . .	—	—	—	—	—	—	—	—
Screw, parking switch adjusting . . . . .	740556	740556	740556	740556	740556	—	740556	—
Sleeve, adjusting screw . . . . .	740557	740557	740557	740557	740557	—	740557	—
Spring, adjusting screw . . . . .	733270	733270	733270	733270	733270	—	733270	—
Plate, gear stud locating . . . . .	—	—	—	—	—	—	—	—
Grommet, end cover . . . . .	740722	740722	740722	740722	740722	740722	740722	—
§Sundry parts, set . . . . .	740899	740899	740899	740899	740899	740899	740899	743049

For illustrations, see page R12

Note. For replacement motor spare parts, see appropriate column under part number  
 § Recommended spares for stock

† When ordering, quote part number shown in brackets

continued



# DRI, DR2 AND DR3 MOTORS (Windshield Wiper)

## DETAILED SPARE PARTS

Part No. . . . .	75212A/E	75212F	75213A/E	75213F	†75214A/D	†75214E	75231A
Model . . . . .	DR2	DR2	DR2	DR2	DR2	DR2	DR1
Voltage . . . . .	12	—	12	12	12	12	12
Speed . . . . .	Single	Single	Single	Single	Single	Single	Two
Angle of wipe . . . . .	90°	90°	110°	110°	120°	120°	110°
Replaced by (see footnote) . . . . .	—	—	—	—	(75297)	(75297)	(75308 & 745997)
(1) Bolt or stud, fixing . . . . .	145696	145696	145696	145696	145696	145696	145696
(2) §Cover . . . . .	—	—	—	—	—	—	740502
(3) Cover and bearing, commutator end . . . . .	744015	744015	744015	744015	744015	744015	—
(4) Screw, cover fixing . . . . .	—	—	—	—	—	—	—
(5) Screw, earth lead . . . . .	—	—	—	—	—	—	—
(6) §Brushgear . . . . .	743171	743171	743171	743171	743171	743171	740687
(7) § Brushes, set . . . . .	729367	729367	729367	729367	729367	729367	729367
(8) Spring, brush . . . . .	735631	735631	735631	735631	735631	735631	735631
(9) §Armature . . . . .	743029	743029	743029	743029	743029	743029	740616
(10) §Coil, field . . . . .	744009	744009	744009	744009	744009	744009	740593
(11) §Fixing studs, set . . . . .	743176	743176	743176	743176	743176	743176	740753
(12) Cover, gearbox . . . . .	743551	743551	743551	743551	743551	743551	740567
(13) Screw, gearbox cover . . . . .	—	—	—	—	—	—	—
(14) Bearing, housing assembly . . . . .	—	—	—	—	—	—	740571
(15) Connecting rod . . . . .	743068	743068	743068	743068	743068	743068	740563
(16) §Shaft and gear . . . . .	744535	744740	744536	744742	743943	743943	745045
(17) Plate, cable rack cover . . . . .	—	—	—	—	—	—	—
(18) Screw, clamp retaining . . . . .	—	—	—	—	—	—	—
(19) §Switch . . . . .	743080	744325	743080	744325	743080	743080	740547
(20) Cover, gear . . . . .	—	—	—	—	—	—	—
(21) Spring, contact switch . . . . .	—	744314	—	744314	—	—	—
(22) Screw, parking switch adjusting . . . . .	—	—	—	—	—	—	740556
(23) Sleeve, adjusting screw . . . . .	—	—	—	—	—	—	740557
(24) Spring, adjusting screw . . . . .	—	—	—	—	—	—	733270
(25) Plate, gear stud locating . . . . .	—	—	—	—	—	—	—
(26) Grommet, end cover . . . . .	—	—	—	—	—	—	740722
(27) §Sundry parts, set . . . . .	743049	743049	743049	743049	743049	743049	740899

Part No. . . . .	†75250A/B	75251A/F	75251H	†75280A	75289A/D	75290A/B	†75291A	†75293A
Model . . . . .	DR1	DR2	DR2	DR1	DR2	DR2	DR1	DR1
Voltage . . . . .	12	12	12	12	12	24	12	12
Speed . . . . .	Two	Single	Single	Two	Single	Single	Two	Two
Angle of wipe . . . . .	130°	130°	130°	140°	120°	120°	110°	130°
Replaced by (see footnote) . . . . .	(75345 & 745997)	—	—	(75309 & 745997)	—	—	(75319 & 745997)	(75310 & 745997)
(1) Bolt or stud, fixing . . . . .	145696	145696	145696	145696	145696	145696	145696	145696
(2) §Cover . . . . .	740502	—	—	740502	—	—	740502	740502
(3) Cover and bearing, commutator end . . . . .	—	744015	744015	—	744015	744015	—	—
(4) Screw, cover fixing . . . . .	—	—	—	—	—	—	—	—
(5) Screw, earth lead . . . . .	—	—	—	—	—	—	—	—
(6) §Brushgear . . . . .	740687	743171	743171	740687	743171	743171	740687	740687
(7) § Brushes, set . . . . .	729367	729367	729367	729367	729367	729367	729367	729367
(8) Spring, brush . . . . .	735631	735631	735631	735631	735631	735631	735631	735631
(9) §Armature . . . . .	740616	743029	743029	740616	743029	743145	740616	740616
(10) §Coil, field . . . . .	740593	744009	744009	740593	744009	743910	740593	740593
(11) §Fixing studs, set . . . . .	740753	743176	743176	740753	743176	743176	740753	—
(12) Cover, gearbox . . . . .	740567	743551	743551	740567	743713	743713	740567	740567
(13) Screw, gearbox cover . . . . .	—	—	—	—	198903	198903	—	—
(14) Bearing, housing assembly . . . . .	740571	—	—	740571	—	—	740571	740571
(15) Connecting rod . . . . .	740563	743068	743068	740563	743717	743717	740563	740563
(16) §Shaft and gear . . . . .	745047	743172	744744	745048	743911	743911	745045	745047
(17) Plate, cable rack cover . . . . .	—	—	—	—	743714	743714	—	—
(18) Screw, clamp retaining . . . . .	—	—	—	—	110714	110714	—	—
(19) §Switch . . . . .	740547	743080	744325	740547	—	—	740547	740547
(20) Cover, gear . . . . .	—	—	—	—	—	—	—	—
(21) Spring, contact switch . . . . .	—	—	744314	—	—	—	—	—
(22) Screw, parking switch adjusting . . . . .	740556	—	—	740556	—	—	740556	740556
(23) Sleeve, adjusting screw . . . . .	740557	—	—	740557	—	—	740557	740557
(24) Spring, adjusting screw . . . . .	733270	—	—	733270	—	—	733270	733270
(25) Plate, gear stud locating . . . . .	—	—	—	—	—	—	—	—
(26) Grommet, end cover . . . . .	740722	—	—	740722	—	—	740722	740722
(27) §Sundry parts, set . . . . .	740899	743049	743049	740899	743049	743049	740899	740899

For illustrations, see page R12

Note. For replacement motor spare parts, see appropriate column under part number  
§ Recommended spares for stock

† When ordering, quote part number shown in brackets

# DRI, DR2 AND DR3 MOTORS (Windshield Wiper)



## DETAILED SPARE PARTS

†75232A DR1 12 Two 130° (75309 & 745997)	†75233A DR1 12 Two 90° (75305 & 745997)	†75234A/B DR1 12 Single 120° (75311 & 745997)	†75235A DR1 12 Two 120° (75310 & 745997)	†75236A DR1 12 Two 120° (75311 & 745997)	†75238A/E DR2 12 Single 100° (75295)	†75246A DR1 12 Two 130° (75313 & 745997)	†75247A/B DR1 12 Single 100° (75295 & 54710365)	†75249A/B DR1 12 Two 130° (75331 & 54710484)	
145696	145696	145696	145696	145696	145696	145696	145696	145696	145696 (1)
740502	740502	740502	740502	740502	740502	740502	740502	740502	740502 (2)
—	—	—	—	—	744015	—	—	—	— (3)
—	—	—	—	—	—	—	—	—	— (4)
—	—	—	—	—	—	—	—	—	— (5)
740687	740687	740687	740687	740687	740687	743171	740687	740687	740687 (6)
729367	729367	729367	729367	729367	729367	729367	729367	729367	729367 (7)
735631	735631	735631	735631	735631	735631	735631	735631	735631	735631 (8)
740616	740616	740616	740616	740616	740616	743029	740616	740616	740616 (9)
740593	740593	740599	740593	740593	740593	744009	740593	740599	740593 (10)
740753	740753	740753	740753	740753	740753	743176	740753	740753	740753 (11)
740567	740567	740567	740567	740567	740567	743551	740567	740567	740567 (12)
—	—	—	—	—	—	—	—	—	— (13)
740571	740571	740571	740571	740571	740571	740571	740571	740571	740571 (14)
740563	740563	740563	740563	740563	740563	743068	740563	740588	740563 (15)
745047	745044	745046	745046	745046	745046	743268	745047	743267	745047 (16)
—	—	—	—	—	—	—	—	—	— (17)
—	—	—	—	—	—	—	—	—	— (18)
740547	740547	740547	740547	740547	740547	743080	740547	—	740547 (19)
—	—	—	—	—	—	—	—	—	— (20)
—	—	—	—	—	—	—	—	—	— (21)
740556	740556	740556	740556	740556	740556	—	740556	—	740556 (22)
740557	740557	740557	740557	740557	740557	—	740557	—	740557 (23)
733270	733270	733270	733270	733270	733270	—	733270	—	733270 (24)
—	—	—	—	—	—	—	—	—	— (25)
740722	740722	740722	740722	740722	740722	—	740722	740722	740722 (26)
740899	740899	740899	740899	740899	740899	743049	740899	740899	740899 (27)

†75294A DR1 12 Two 130° (75311 & 745997)	75295A/D DR2 12 Single 100°	75295E DR2 12 Single 100°	75296A/D DR2 12 Single 130°	75296E DR2 12 Single 130°	75297A/D DR2 12 Single 120°	75297E DR2 12 Single 120°	75298A/E DR2 12 Single 120°	75298F DR2 12 Single 120°	75300A/E DR2 12 Single 100°	
145696	145696	145696	145696	145696	145696	145696	145696	145696	145696	145696 (1)
740502	—	—	—	—	—	—	—	—	—	— (2)
—	744015	744015	744015	744015	744015	744015	744015	744015	744015	744015 (3)
—	—	—	—	—	—	—	—	—	—	— (4)
—	—	—	—	—	—	—	—	—	—	— (5)
740687	743171	743171	743171	743171	743171	743171	743171	743171	743171	743171 (6)
729367	729367	729367	729367	729367	729367	729367	729367	729367	729367	729367 (7)
735631	735631	735631	735631	735631	735631	735631	735631	735631	735631	735631 (8)
740616	743029	743029	743029	743029	743029	743029	743029	743029	743029	743029 (9)
740593	744009	744009	744009	744009	744009	744009	744009	744009	744009	744009 (10)
—	743176	743176	743176	743176	743176	743176	743176	743176	743176	743176 (11)
740567	743551	743551	743551	743551	743551	743551	743551	743551	743551	743551 (12)
—	—	—	—	—	—	—	—	—	—	198903 (13)
740571	—	—	—	—	—	—	—	—	—	— (14)
740563	743068	743068	743068	743068	743068	743068	743068	743068	743068	743068 (15)
745047	743268	744741	743172	744744	743943	744743	743943	744743	744743	744070 (16)
—	—	—	—	—	—	—	—	—	—	743714 (17)
—	—	—	—	—	—	—	—	—	—	110714 (18)
740547	743080	744325	743080	744325	743080	744325	743080	744325	740547	740547 (19)
—	—	744314	—	744314	—	744314	—	744314	—	— (20)
740556	—	—	—	—	—	—	—	—	—	740556 (21)
740557	—	—	—	—	—	—	—	—	—	740557 (22)
733270	—	—	—	—	—	—	—	—	—	733270 (23)
—	—	—	—	—	—	—	—	—	—	— (24)
—	—	—	—	—	—	—	—	—	—	— (25)
740722	—	—	—	—	—	—	—	—	—	— (26)
740899	743049	743049	743049	743049	743049	743049	743049	743049	743049	743049 (27)

For illustrations, see page R12

† When ordering, quote part number shown in brackets

continued



# DRI, DR2 AND DR3 MOTORS (Windshield Wiper)

## DETAILED SPARE PARTS

Part No. . . . .	75301A/F	75305A/B	75308A/B	75309A/B	75310A/B	75311A/B	75313A/B	75315D
Model . . . . .	DR2	DR3	DR3	DR3	DR3	DR3	DR3	DR2
Voltage . . . . .	12	12	12	12	12	12	12	12
Speed . . . . .	Single	Two	Two	Two	Two	Two	Two	Single
Angle of wipe (standard)	120°	85°	110°	130°	120°	120°	130°	130°
Angle of wipe (when large gear wheelbox used)	—	—	—	—	—	—	—	90°
Replaced by (see footnote)	—	—	—	—	—	—	—	—
(1) Bolt or stud, fixing . . . . .	145696	145696	145696	145696	145696	145696	145696	145696
(2) §Cover . . . . .	—	—	—	—	—	—	—	—
(3) Cover and bearing, commutator end	744015	743653	743653	743653	743653	743653	743653	744015
(4) Screw, cover fixing . . . . .	—	186134	186134	186134	186134	186134	186134	—
(5) Screw, earth lead . . . . .	—	126444	126444	126444	126444	126444	126444	—
(6) §Brushgear . . . . .	743171	743171	743171	743171	743171	743171	743171	743171
(7) §Brushes, set . . . . .	729367	729367	729367	729367	729367	729367	729367	729367
(8) Spring, brush . . . . .	735631	735631	735631	735631	735631	735631	735631	735631
(9) §Armature . . . . .	743029	743929	743929	743929	743929	743929	743929	743029
(10) §Coil, field . . . . .	744009	744907	744907	744907	744907	744907	744907	744009
(11) §Fixing studs, set . . . . .	743176	743176	743176	743176	743176	743176	743176	743176
(12) Cover, gearbox . . . . .	743551	743924	743924	743924	743924	743924	743924	743551
(13) Screw, gearbox cover . . . . .	—	—	—	—	—	—	—	—
(14) Bearing, housing assembly . . . . .	—	—	—	—	—	—	—	—
(15) Connecting rod . . . . .	743068	740563	740563	740563	740563	740563	740563	743068
(16) §Shaft and gear . . . . .	744743	744910	744912	744914	744913	744913	744914	744744
(17) Plate, cable rack cover . . . . .	—	—	—	—	—	—	—	—
(18) Screw, clamp retaining . . . . .	—	—	—	—	—	—	—	—
(19) §Switch . . . . .	—	743846	743846	743846	743846	743846	743846	—
(20) Cover, gear . . . . .	744737	—	—	—	—	—	—	744737
(21) Spring, contact switch . . . . .	—	—	—	—	—	—	—	—
(22) Screw, parking switch adjusting . . . . .	—	740556	740556	740556	740556	740556	740556	—
(23) Sleeve, adjusting screw . . . . .	—	740557	740557	740557	740557	740557	740557	—
(24) Spring, adjusting screw . . . . .	—	733270	733270	733270	733270	733270	733270	—
(25) Plate, gear stud locating . . . . .	—	—	—	—	—	—	—	—
(26) Grommet, end cover . . . . .	—	—	—	—	—	—	—	—
(27) §Sundry parts, set . . . . .	743049	740899	740899	740899	740899	740899	740899	743049

Part No. . . . .	75347A	75349A	75356A/B	75356D	75357A	75358A	75359A	75361A
Model . . . . .	DR2	DR2	DR3	DR3	DR3	DR3	DR2	DR3
Voltage . . . . .	12	12	12	12	12	12	12	12
Speed . . . . .	Single	Single	Single	Single	Single	Single	Single	Two
Angle of wipe (standard)	150°	160°	110°	100°	130°	130°	150°	150°
Angle of wipe (when large gear wheelbox used)	103°	—	—	—	90°	90°	—	103°
Replaced by (see footnote)	—	—	—	—	—	—	—	—
(1) Bolt or stud, fixing . . . . .	145696	145696	145696	145696	145696	145696	145696	145696
(2) §Cover . . . . .	—	—	—	—	—	—	—	—
(3) Cover and bearing, commutator end	744015	744015	743653	743653	743653	743653	744015	743653
(4) Screw, cover fixing . . . . .	—	—	186134	186134	186134	186134	—	186134
(5) Screw, earth lead . . . . .	—	—	126444	126444	126444	126444	—	126444
(6) §Brushgear . . . . .	743171	743171	743171	743171	743171	743171	743171	743171
(7) §Brushes, set . . . . .	729367	729367	729367	729367	729367	729367	729367	729367
(8) Spring, brush . . . . .	735631	735631	735631	735631	735631	735631	735631	735631
(9) §Armature . . . . .	743029	743029	743929	743929	743929	743929	743029	743929
(10) §Coil, field . . . . .	744009	744009	745586	745586	54710865	54710865	744009	744907
(11) §Fixing studs, set . . . . .	743176	743176	743176	743176	743176	743176	743176	743176
(12) Cover, gearbox . . . . .	743713	743713	743924	743924	743924	743924	743551	743924
(13) Screw, gearbox cover . . . . .	198903	198903	—	—	—	—	—	—
(14) Bearing, housing assembly . . . . .	—	—	—	—	—	—	—	—
(15) Connecting rod . . . . .	743717	743717	740563	740563	745913	745913	743068	740563
(16) §Shaft and gear . . . . .	54710282	54710348	744912	744911	54710866	54710866	54710428	748796
(17) Plate, cable rack cover . . . . .	743714	743714	—	—	—	—	—	—
(18) Screw, clamp retaining . . . . .	110714	110714	—	—	—	—	—	—
(19) §Switch . . . . .	740547	740547	743846	743846	743846	743846	—	743846
(20) Cover, gear . . . . .	—	—	—	—	—	—	744737	—
(21) Spring, contact switch . . . . .	—	—	—	—	—	—	—	—
(22) Screw, parking switch adjusting . . . . .	740556	740556	740556	740556	740556	740556	—	740556
(23) Sleeve, adjusting screw . . . . .	740557	740557	740557	740557	740557	740557	—	740557
(24) Spring, adjusting screw . . . . .	733270	733270	733270	733270	733270	733270	—	733270
(25) Plate, gear stud locating . . . . .	—	—	—	—	744936	744936	—	—
(26) Grommet, end cover . . . . .	—	—	—	—	—	—	—	—
(27) §Sundry parts, set . . . . .	743049	743049	740899	740899	740899	740899	743049	740899
(28) Connector, Lucar, terminal . . . . .	—	—	—	—	—	—	—	—
(29) Connector, Lucar, earth . . . . .	—	—	—	—	—	—	—	—

For illustrations, see page R12

Note. For replacement motor spare parts, see appropriate column under part number § Recommended spares for stock

# DRI, DR2 AND DR3 MOTORS (Windshield Wiper)



## DETAILED SPARE PARTS

75319A/B DR3 12 Two 110°	†75322A DR1 12 Two 120°	†75323A DR1 12 Two 120°	75325A/B DR3 12 Single 120°	†75329A/B DR3 12 Two 120°	75330A DR2 12 Single 110°	75331A/B DR3 12 Two 130°	75332A 4W DR3 12 Single 130°	75335A/D DR3 12 Two 150°	75345A/B DR3 12 Two 130°
—	— (75310 & 745997)	— (75311 & 745997)	—	— (75311)	—	—	—	103°	—
145696	145696	145696	145696	145696	145696	145696	145696	145696	145696
—	740502	740502	—	—	—	—	—	—	—
743653	—	—	743653	743653	744015	743653	744015	743653	743653
186134	—	—	186134	186134	—	186134	—	186134	186134
126444	—	—	126444	126444	—	126444	—	126444	126444
743171	740687	740687	743171	743171	743171	743171	743171	743171	743171
729367	729367	729367	729367	729367	729367	729367	729367	729367	729367
735631	735631	735631	735631	735631	735631	735631	735631	735631	735631
743929	740616	740616	743929	743929	743029	745985	744843	743929	745985
744907	740593	740593	745586	744907	744009	744907	745887	744907	744907
743176	—	—	743176	743176	743176	743176	743176	743176	743176
743924	740567	740567	743924	743924	743713	743924	743551	743924	743924
—	—	—	—	—	198903	—	—	—	—
—	740571	740571	—	—	—	—	—	—	—
740563	740563	740563	740563	740563	743717	740563	743068	748776	740563
744912	745046	745046	744913	744913	745833	744914	744744	748796	744914
—	—	—	—	—	743714	—	—	—	—
—	—	—	—	—	110714	—	—	—	—
743846	740547	740547	743846	743846	740547	743846	—	743846	743846
—	—	—	—	—	—	—	744737	—	—
—	—	—	—	—	—	—	—	—	—
740556	740556	740556	740556	740556	740556	740556	—	740556	740556
740557	740557	740557	740557	740557	740557	740557	—	740557	740557
733270	733270	733270	733270	733270	733270	733270	—	733270	733270
—	—	—	—	—	—	—	—	—	—
—	740722	740722	—	—	—	—	—	—	—
740899	740899	740899	740899	740899	743049	740899	743049	740899	740899

75363A DR2 12 Single 160°	75365A DR3 12 Two 150°	75366A DR3 12 Two 150°	75367A DR2 12 Single 160°	75371A DR2 12 Single 90°	75371B DR2 12 Single 130°	75371D DR2 12 Single 130°	75374A DR3 12 Two 150°	75377A DR2 12 Single 160°	75379A/D D3 12 Two 130°
—	103°	103°	110°	—	—	—	103°	110°	—
—	—	—	—	—	—	—	—	—	—
145696	145696	145696	145696	145696	145696	54100606	145696	145696	145696
744015	743653	743653	745768	744015	745768	745768	743653	744015	743653
—	186134	186134	—	—	—	—	186134	—	186134
—	126444	126444	—	—	—	—	126444	—	126444
743171	743171	743171	743171	743171	743171	743171	743171	743171	743171
729367	729367	729367	729367	729367	729367	729367	729367	729367	729367
735631	735631	735631	735631	735631	735631	735631	735631	735631	735631
743029	743929	743929	743029	743029	743029	743029	743929	743029	743929
744009	744907	744907	54711057	744009	54711719	54712958	744907	744009	744907
743176	743176	743176	743176	743176	743176	743176	743176	743176	743176
743713	743924	743924	743551	743551	743551	743551	743924	743713	743924
198903	—	—	—	—	—	—	—	198903	—
—	—	—	—	—	—	—	—	—	—
743717	748776	748776	743068	743068	743068	743068	748776	743717	740563
54710348	748796	748796	54711022	744744	744744	744744	748796	54710348	744914
743714	—	—	—	—	—	—	—	743714	—
110714	—	—	—	—	—	—	—	110714	—
740547	743846	743846	—	744325	744325	744325	743846	—	743846
—	—	—	744737	—	—	—	—	—	—
—	—	—	—	744314	744314	744314	—	—	—
740556	740556	740556	—	—	—	—	740556	—	750556
740557	740557	740557	—	—	—	—	740557	—	740557
733270	733270	733270	—	—	—	—	733270	—	733270
—	—	—	—	—	—	—	—	—	—
—	—	—	—	—	—	—	—	—	—
743049	740899	740899	743049	743049	743049	743049	740899	743049	740899
—	—	—	—	199218	—	—	—	—	—
—	—	—	—	199279	—	—	—	—	—

For illustrations, see page R12

† When ordering, quote part number shown in brackets

continued



# DRI, DR2 AND DR3 MOTORS (Windshield Wiper)

## DETAILED SPARE PARTS

Part No.	75380A	75385A	75385B	75385D	75388A/B	75389A/B	75392A/B
Model .. .. .	DR2	DR2	DR2	DR2	DR3	DR3	DR3
Voltage .. .. .	12	12	12	12	12	12	12
Speed .. .. .	Single	Single	Single	Single	Single	Single	Single
Angle of wipe (standard) .. .. .	140°	130°	130°	130°	130°	130°	160°
Angle of wipe (when large gear wheelbox used) .. .. .	97°	90°	—	—	—	—	—
Replaced by (see footnote) .. .. .	—	—	—	—	—	—	—
§Motor (less Lucar) .. .. .	—	75315	—	—	—	—	—
Bolt or stud, locating .. .. .	145696	145696	145696	54100606	145696	145696	145696
§Cover .. .. .	—	—	—	—	—	—	—
Cover and bearing, commutator end	744015	744015	745768	745768	743653	743653	743653
Screw, cover fixing .. .. .	—	—	—	—	186134	186134	186134
Screw, earth lead .. .. .	—	—	—	—	—	—	126444
§Brushgear .. .. .	743171	743171	743171	743171	743171	743171	743171
§Brushes, set .. .. .	729367	729367	729367	729367	729367	729367	729367
Spring, brush .. .. .	735631	735631	735631	735631	735631	735631	735631
§Armature .. .. .	743029	743029	743029	743029	743929	743929	743929
§Coil, field .. .. .	744009	744009	54711057	54712959	54710865	54710865	54710865
§Fixing studs, set .. .. .	743176	743176	743176	743176	743176	743176	743176
Cover, gearbox .. .. .	743551	743551	743551	743551	743924	743924	743924
Screw, gearbox cover .. .. .	—	—	—	—	—	—	—
Connecting rod .. .. .	743068	743068	743068	743068	745913	745913	745913
§Shaft and gear .. .. .	54711349	744744	744744	744744	54710866	54710866	54711838
Plate, cable rack cover .. .. .	—	—	—	—	—	—	—
Screw, clamp retaining .. .. .	—	—	—	—	—	—	—
§Switch .. .. .	—	—	—	—	743846	743846	743846
Cover, gear .. .. .	744737	744737	744737	744737	—	—	—
Screw, parking switch adjusting .. .. .	—	—	—	—	740556	740556	740556
Sleeve, adjusting screw .. .. .	—	—	—	—	740557	740557	740557
Spring, adjusting screw .. .. .	—	—	—	—	733270	733270	733270
Plate, gear stud locating .. .. .	—	—	—	—	744936	744936	744936
§Sundry parts, set .. .. .	743049	743049	743049	743049	740899	740899	740899
Connector, Lucar, terminal .. .. .	—	199218	—	—	—	—	—

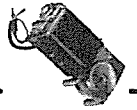
Part No.	75393A/B	75396A/D	75398A	75398B	75399A	75399B	75400A
Model .. .. .	DR3	DR3	DR2	DR2	DR2	DR2	DR2
Voltage .. .. .	12	12	12	12	24	24	12
Speed .. .. .	Single	Two	Single	Single	Single	Single	Single
Angle of wipe (standard) .. .. .	160°	150°	120°	120°	120°	120°	110°
Angle of wipe (when large gear wheelbox used) .. .. .	—	103°	—	—	—	—	—
Replaced by (see footnote) .. .. .	—	—	—	—	—	—	—
Bolt or stud, locating .. .. .	145696	145696	145696	54100606	145696	54100606	145696
§Cover .. .. .	—	—	—	—	—	—	—
Cover and bearing, commutator end	743653	743653	745768	745768	745768	745768	743653
Screw, cover fixing .. .. .	186134	186134	—	—	—	—	—
Screw, earth lead .. .. .	126444	—	—	—	—	—	—
§Brushgear .. .. .	743171	743171	743171	743171	743171	743171	743171
§Brushes, set .. .. .	729367	729367	729367	729367	729367	729367	729367
Spring, brush .. .. .	735631	735631	735631	735631	735631	735631	735631
§Armature .. .. .	743929	743929	743029	743029	743145	743145	743029
§Coil, field .. .. .	54710865	744907	54711057	54712959	54712463	54712961	54710139
§Fixing studs, set .. .. .	743176	743176	743176	743176	743176	743176	743176
Cover, gearbox .. .. .	743924	743924	743713	743713	743713	743713	743551
Screw, gearbox cover .. .. .	—	—	198903	198903	198903	198903	—
Connecting rod .. .. .	745913	740563	743717	743717	743717	743717	743068
§Shaft and gear .. .. .	54711838	748796	743911	743911	743911	743911	744742
Plate, cable rack cover .. .. .	—	—	743714	743714	743714	743714	—
Screw, clamp retaining .. .. .	—	—	110714	110714	110714	110714	—
§Switch .. .. .	743846	743846	—	—	—	—	—
Cover, gear .. .. .	—	—	—	—	—	—	743080
Screw, parking switch adjusting .. .. .	740556	740556	—	—	—	—	—
Sleeve, adjusting screw .. .. .	740557	740557	—	—	—	—	—
Spring, adjusting screw .. .. .	733270	733270	—	—	—	—	—
Plate, gear stud locating .. .. .	744936	—	—	—	—	—	—
§Sundry parts, set .. .. .	740899	740899	743049	743049	743049	743049	743049
Connector, Lucar, terminal .. .. .	—	—	—	—	—	—	—

For illustrations, see page R12

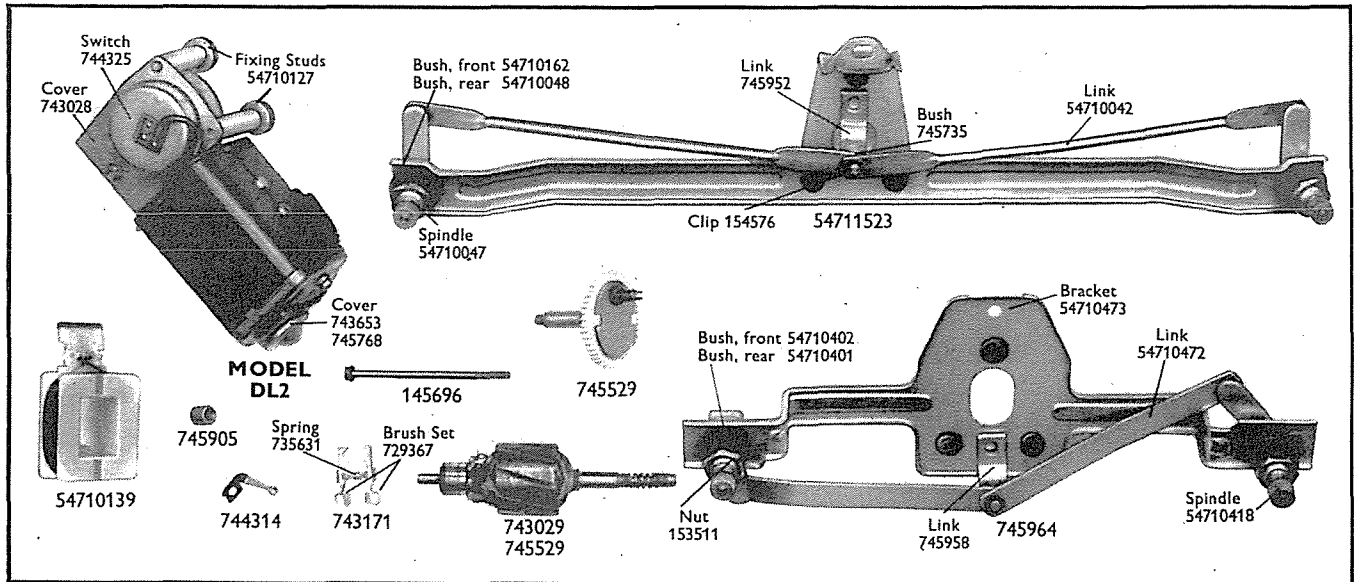
§ Recommended spares for stock



# DL2 WINDSCREEN WIPERS



## DETAILED SPARE PARTS



## DL2 MOTORS

Part No.	75342A/D	75353A/D	75390A
Model	DL2	DL2	DL2
Voltage	12	12	12
Angle of wipe	120°	90°	120°
Speed	Single	Single	Single
Bolt, through, 2 B.A.	145696	145696	145696
Cover, end, with bearing (commutator end)	743653	745768	743653
§Brushgear	743171	743171	743171
§ Brush set	729367	729367	729367
Spring, brush	735631	735631	735631
§Armature	743029	743029	743029
§Coil	54710139	54710139	54710139
§Studs, fixing (set of parts)	54710127	54710127	54710127
Cover, gearbox	743028	743028	743028
§Switch, cover adjusting	744325	744325	744325
Contact	744314	744314	744314
Bush, spacing	745905	745905	745905
§Shaft and gear	745529	745529	745529
§Sundry parts, set	54710077	54710077	54710077

## DL2 LINK SETS

Part No.	745964	745965	54711523	54712397
Link, primary	54710472	‡54710569	54710042	‡‡54710567
Link	—	¶54710565	—	§54710570
Joint, snap lock	—	54710566	—	—
Nut, locking joint	—	156601	—	—
Driver, knurled, and screw	—	54710532	—	—
Screw, grub	—	54710531	—	—
Grommet	—	54710533	—	—
Spindle assembly with bearing bush, arm boss and oscillating link	54710418	54710529	54710047	54712122
Bracket, mounting	54710473	—	—	—
Link, rotary, gear shaft	745958	745952	745952	54713162
Nut, fixing	153511	156691	153511	153511
Bush, front	54710402	54710260	54710162	54712121
Bush, rear	54710401	—	54710048	54712164
Washer	—	—	—	740820
Bush, bearing	—	54710522	745735	—
Clip, link retaining	—	—	154576	—
§Sundry parts, set	54710077	—	—	54710077

‡ 10 1/8" long

§ Recommended spares for stock

¶ Off side

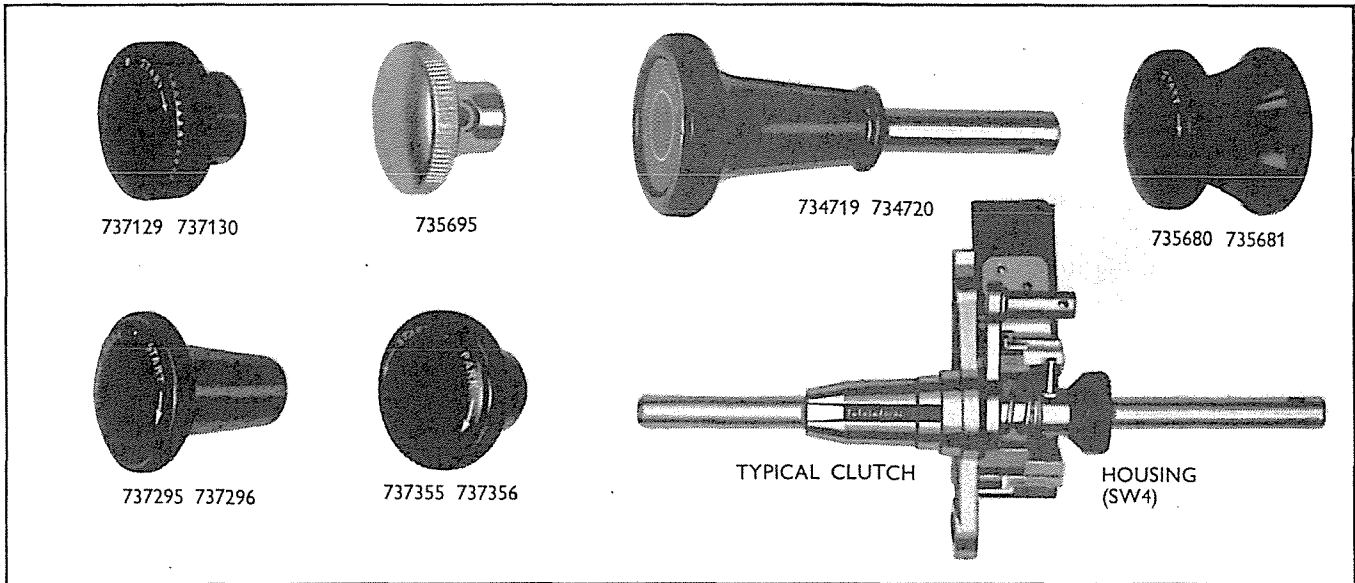
‡ 12 1/8" long

§ Near side



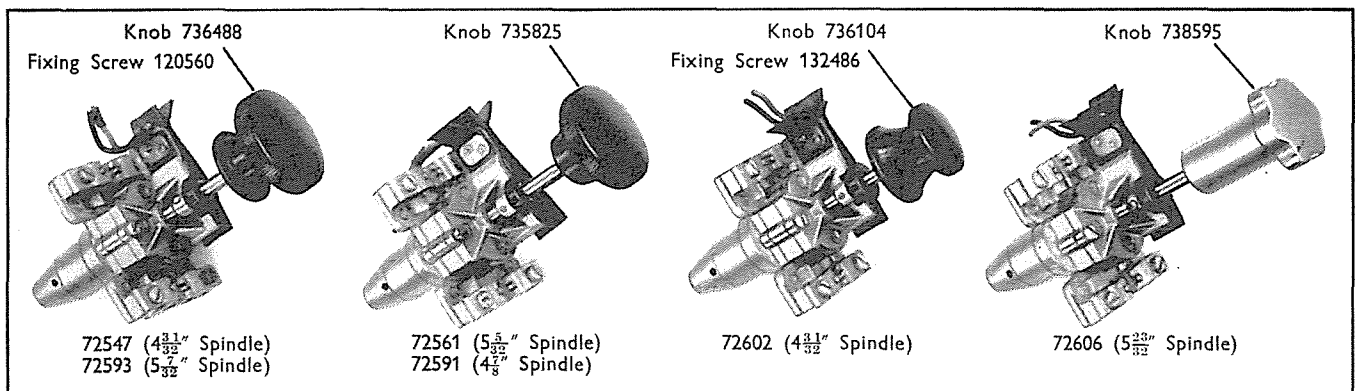
# CLUTCH HOUSINGS AND CONTROL BOXES

## SW4 CLUTCH HOUSINGS



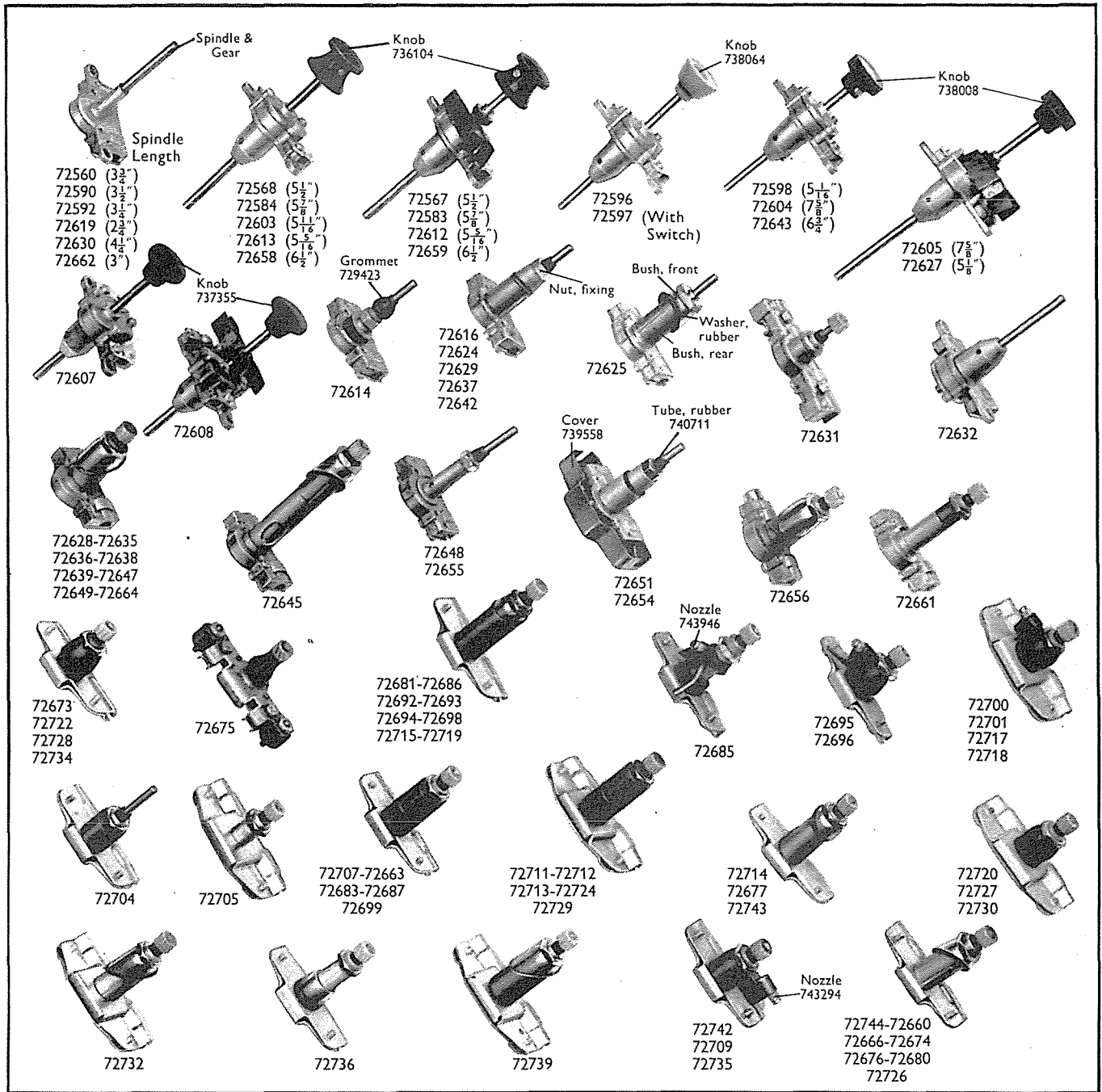
Clutch Housing	Knob	Screw, knob fixing	Clutch Housing	Knob	Screw, knob fixing
735471	737355	132486	737066	737356	132486
735691	735680	132486	737085	735695	132486
737013	737355	132486	737186	734720	132486
737038	737296	132486	737266	737356	132486
737039	737295	132486	737357	737355	132486
737065	737355	132486	737412	737129	132486

## CONTROL BOXES (Windshield Wiper) DETAILED SPARE PARTS



Part No.	72547	72561	72591	72593	72602	72606
Model	CR1	CR1	CR1	CR1	CR6 CRT16	CR1 CRT11
Gear wheel, fixed	735883	735883	735883	735883	735883	735883
Gear wheel, free	736290	730290	736290	736290	736290	736290
Knob	736488	735825	735825	736488	736104	738595
Screw, knob fixing	120560	132504	132504	120560	132504	132504

# WHEELBOXES (Windshield Wiper)



## DETAILED SPARE PARTS

Part No.	†72548A/K	72560A/K	†72564A/F	†72565A/J	72567A/H	72568A/E	72583A/H	72584A/E
Replaced by (see footnote)	(72662)	—	(72658)	(72659)	—	—	—	—
§Spindle and gear	736056	736056	742100	—	—	742100	—	—
Screw, cover fixing	110714	110714	132504	132504	132504	132504	132504	132504
Screw, clamp fixing	110714	110714	129524	129524	129524	129524	129524	129524
§Knob	—	—	736104	736104	736104	736104	736104	736104

For detailed spare parts, see also pages R22-R23

Note. For replacement wheelbox spare parts, see appropriate column under part number  
 § Recommended spares for stock

† When ordering, quote part number shown in brackets

continued



# WHEELBOXES (Windshield Wiper)

## DETAILED SPARE PARTS

Part No. . . . .	72590A/K	72592A/K	72596A/D	72597A/H	72598A/D	72603A/E	72604A/D	72605A/D	72607A/B
§Spindle and gear . . . . .	736056	736056	—	—	728233	738172	—	—	738632
Screw, cover fixing . . . . .	110714	110714	132504	132504	132504	132504	132504	132504	132504
Screw, clamp fixing . . . . .	110714	110714	129524	129524	129524	129524	129524	129524	129524
§Knob . . . . .	—	—	738064	738064	738008	736104	738008	738008	737355

Part No. . . . .	72608A/D	72612A/B	72613A/B	72614A/F	72616A/M	72619A/F	72624A/H	72625A/E
§Spindle and gear . . . . .	—	—	—	736056	736056	736056	736056	736056
Tube, rubber, spindle . . . . .	—	—	—	—	740711	—	740711	—
Nut, wheelbox fixing . . . . .	—	—	—	170423	181261	228375	181261	—
Bush, rear . . . . .	—	—	—	—	738948	736170	739634	740656
Bush, front . . . . .	—	—	—	—	738949	—	739635	740657
Washer, rubber . . . . .	—	—	—	146303	163356	146380	163356	740659
Cover . . . . .	—	—	—	—	—	739558	—	—
Screw, cover fixing . . . . .	132504	132504	132504	110714	110714	110714	110714	110714
Screw, clamp fixing . . . . .	129524	129524	129524	110714	110714	110714	110714	110714
§Grommet . . . . .	—	—	—	729423	—	729423	—	—
§Knob . . . . .	737355	736104	736104	—	—	—	—	—

Part No. . . . .	72627A/B	72628A/H	72629A/D	72630A/F	72631A/B	72632A	72635B	72636D	72637A/E
§Spindle and gear . . . . .	—	740786	736056	740483	740892	742100	740835	740786	736056
Tube, rubber, spindle . . . . .	—	740711	740711	—	740711	—	740711	740711	740711
Nut, wheelbox fixing . . . . .	—	153511	181261	—	740795	—	153511	153511	181261
Bush, front . . . . .	—	740657	740476	—	188408	—	740834	740818	—
Bush, rear . . . . .	—	740656	740477	—	166019	—	740833	740819	—
Washer, rubber . . . . .	—	740659	740478	—	740794	—	740820	740820	163356
Screw, cover fixing . . . . .	132504	110714	110714	126486	110714	110714	110714	110714	110714
Screw, clamp fixing . . . . .	129524	110714	110714	110714	127824	129524	110714	110714	110714
§Knob . . . . .	738008	—	—	—	—	—	—	—	—

Part No. . . . .	72638B	72639D	72642A/E	72643A	72645D	72647B	72648A/B	72649B
§Spindle and gear . . . . .	740835	740786	736056	741807	740897	740786	736056	740786
Tube, rubber, spindle . . . . .	740711	740711	740711	—	740711	740711	740711	740711
Nut, wheelbox fixing . . . . .	153511	153511	181261	—	153511	153511	181261	153511
Bush, front . . . . .	—	740880	741802	—	740909	740922	—	740961
Bush, centre . . . . .	—	—	—	—	740908	—	—	—
Bush, rear . . . . .	—	740881	741801	—	740907	740923	—	740962
Washer, rubber . . . . .	740820	740882	740478	—	740910	740925	146303	740882
Screw, cover fixing . . . . .	110714	110714	110714	100863	110714	110714	110714	110714
Screw, clamp fixing . . . . .	110714	110714	110714	129524	110714	110714	110714	110714
§Knob . . . . .	—	—	—	738008	—	—	—	—

Part No. . . . .	72651A	72654A	72655A	72656A	72658A	72659A	72660A/B	72661A/B
§Spindle and gear . . . . .	736056	736056	736056	740786	742100	—	740786	745321
Tube, rubber, spindle . . . . .	740711	740711	740711	740711	—	—	740711	740711
Nut, wheelbox fixing . . . . .	181261	181261	181261	153511	—	—	153511	153511
Bush, front . . . . .	742066	742086	—	740880	—	—	740818	—
Bush, rear . . . . .	742067	742087	742090	—	—	—	743158	—
Washer, rubber . . . . .	163356	163356	163356	—	—	—	740820	—
Cover . . . . .	739558	739558	—	—	—	—	—	—
Screw, cover fixing . . . . .	110714	110714	110714	110714	100863	100863	126444	110714
Screw, clamp fixing . . . . .	110714	110714	110714	110714	129524	129524	—	110714
§Grommet . . . . .	—	—	—	—	—	—	—	185040
§Knob . . . . .	—	—	—	—	736104	736104	—	—

Part No. . . . . Replaced by (see footnote)	72662A	72663A/H	72664A	†72665A/B (72699)	72666A	†72670A (72656)	†72671A (72636)	72673A/B
§Spindle and gear . . . . .	736056	740786	745137	740786	740786	740786	740786	743088
Tube, rubber, spindle . . . . .	—	740711	740711	740711	740711	740711	740711	740711
Nut, wheelbox fixing . . . . .	—	153511	153511	153511	153511	153511	153511	153511
Bush, front . . . . .	—	745143	745128	745145	745154	740880	—	743779
Bush, rear . . . . .	—	745142	745124	745144	745155	740881	—	743780
Washer, rubber . . . . .	—	—	740882	—	745156	740882	740820	—
Cover . . . . .	—	—	—	743141	—	—	—	—
Screw, cover fixing . . . . .	110714	110714	110714	126444	126444	126444	110714	110714
Screw, clamp fixing . . . . .	110714	—	110714	—	—	—	110714	—

For illustrations, see page R21

Note. For replacement wheelbox spare parts, see appropriate column under part number † When ordering, quote part number shown in brackets  
 ‡ Nut, clamp screw § Recommended spares for stock ¶ Washer, spring, clamp screw

# WHEELBOXES (Windshield Wiper)



## DETAILED SPARE PARTS

Part No. . . . . Replaced by (see footnote)	†72674A/B (72744)	72675A/B —	72676A/D —	72677A/B —	72680A/D —	72681A/B —	†72682A/D (72685)	72683A/B —
§Spindle and gear . . . . .	740786	745188	740955	740786	740786	745137	740786	740835
Tube, rubber, spindle . . . . .	740711	‡745283	740711	740711	740711	740711	740711	740711
Nut, wheelbox fixing . . . . .	153511	177036	153511	153511	153511	153511	153511	153511
Bush, front . . . . .	740880	‡745258	740818	743889	745205	743992	743946	740834
Nozzle . . . . .	—	—	—	—	—	—	743294	—
Bush, rear . . . . .	743508	—	743783	743890	745208	743938	744151	744101
Washer, rubber . . . . .	740882	¶185051	—	740925	745207	740925	—	740820
Cover . . . . .	—	—	—	—	—	—	—	—
Screw, cover fixing . . . . .	126444	126903	110714	126444	126444	126444	110714	126444
Screw, clamp fixing . . . . .	—	127824	—	—	—	—	—	—
Nut, clamp fixing . . . . .	—	166032	—	—	—	—	—	—
Washer, clamp fixing . . . . .	—	188408	—	—	—	—	—	—

Part No. . . . . Replaced by (see footnote)	72685A/E —	72686A/B —	72687A/B —	†72688A/B (72660)	72692A/D —	72693A/D —	72694A/B —	72695A/D —
§Spindle and gear . . . . .	740786	740786	740786	740786	744544	740786	740786	743088
Tube, rubber, spindle . . . . .	740711	740711	740711	740711	740711	740711	740711	740711
Nut, wheelbox fixing . . . . .	153511	153511	153511	153511	153511	153511	153511	153511
Bush, front . . . . .	743946	740880	744293	—	743992	745128	740922	744531
Nozzle . . . . .	743294	—	—	—	—	—	—	743294
Bush, rear . . . . .	744151	744281	744294	743158	744525	744545	744557	744455
Washer, rubber . . . . .	—	740882	—	—	740925	744551	740925	—
Cover . . . . .	—	—	—	—	—	—	—	—
Screw, cover fixing . . . . .	110714	126444	126444	126444	126444	126444	126444	110714

Part No. . . . . Replaced by (see footnote)	72696A/D —	72698A/B —	72699A/B —	72700A —	72701A —	†72702A (72673)	†72703A/E (72699)	72704A/B —
§Spindle and gear . . . . .	743088	740786	740786	745874	745874	743088	740786	744579
Tube, rubber, spindle . . . . .	740711	740711	740711	740711	740711	740711	740711	—
Nut, wheelbox fixing . . . . .	153511	153511	153511	153511	153511	153511	153511	153511
Bush, front . . . . .	744859	740961	745145	744531	744859	743779	—	744357
Nozzle . . . . .	743294	—	—	743294	743294	—	—	—
Bush, rear . . . . .	744455	744983	745144	744455	744455	743780	54711303	744358
Washer, rubber . . . . .	—	740882	—	—	—	—	—	—
Cover . . . . .	—	740925	—	—	—	—	—	—
Screw, cover fixing . . . . .	110714	126444	110714	110714	110714	110714	126444	126444

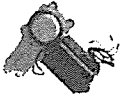
Part No. . . . .	72705A	72707A	72709A	72711A	72712A	72713A/B	72714A	72715A	72717A
§Spindle and gear . . . . .	748751	740786	743088	748752	748752	748752	740786	740786	745874
Tube, rubber, spindle . . . . .	740711	740711	740711	740711	740711	740711	740711	740711	740711
Nut, wheelbox fixing . . . . .	153511	153511	153511	153511	153511	153511	153511	153511	153511
Bush, front . . . . .	—	744293	745629	745145	54710155	744293	743889	740961	54710683
Nozzle . . . . .	—	—	743294	—	—	—	—	—	54710699
Bush, rear . . . . .	—	744358	743780	745144	54710155	744358	743890	744983	744455
Washer, rubber . . . . .	—	—	—	—	740820	740820	740925	740882	—
Cover . . . . .	—	—	—	—	—	—	—	—	—
Screw, cover fixing . . . . .	110714	126444	110714	110714	110714	110714	126444	126444	110714

Part No. . . . .	72718A	72719A	72720A	72722A	72724A	72726A	72727A	72728A	72729A
§Spindle and gear . . . . .	745874	740786	745874	743088	748752	740835	745874	743088	748752
Tube, rubber, spindle . . . . .	740711	740711	740711	740711	740711	740711	740711	740711	740711
Nut, wheelbox fixing . . . . .	153511	153511	153511	153511	153511	153511	153511	153511	153511
Bush, front . . . . .	54710682	740657	54710150	744293	54710463	740880	743779	54711100	740961
Nozzle . . . . .	54710699	—	—	—	—	—	—	—	—
Bush, rear . . . . .	744455	54710776	54710644	744358	744358	743508	743780	54711101	744983
Washer, rubber . . . . .	—	740659	—	—	—	740882	—	—	740882
Cover . . . . .	—	—	—	—	—	—	—	—	—
Screw, cover fixing . . . . .	110714	126444	110714	126444	110714	126444	110714	110714	110714

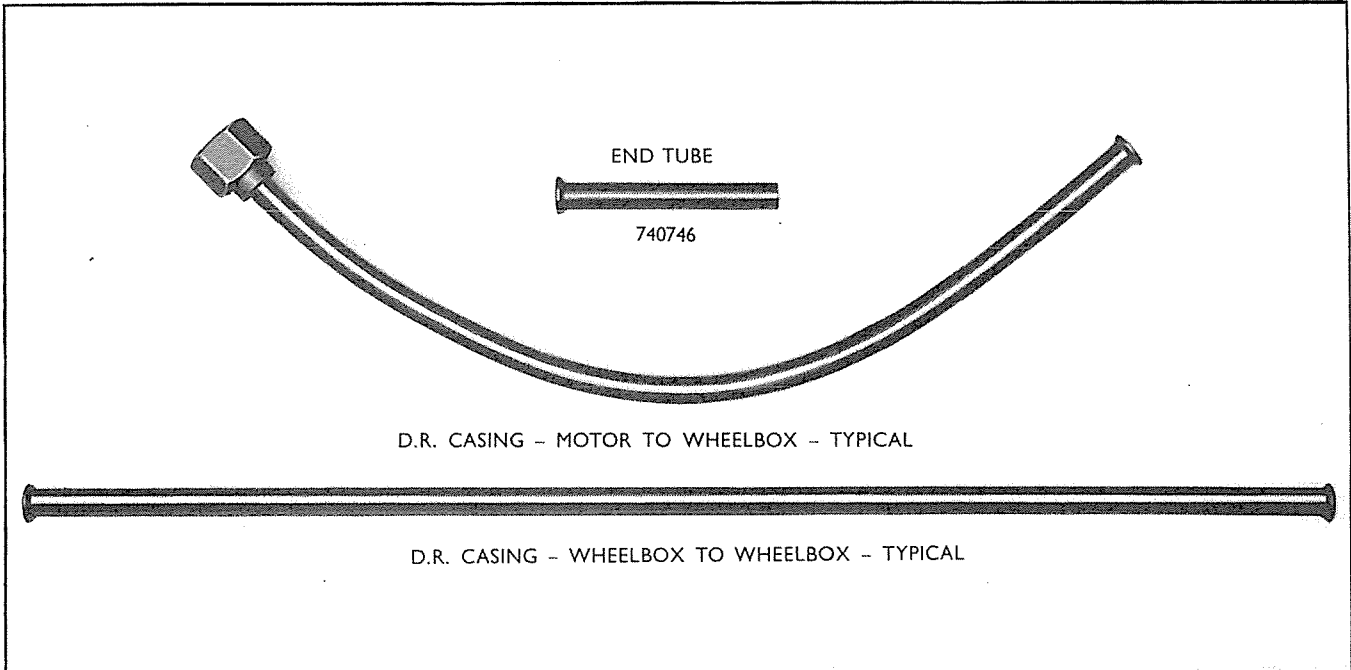
Part No. . . . .	72730A	72732A	72734A	72735A	72736A	72739A	72742A	72743A	72744A
§Spindle and gear . . . . .	745874	748752	743088	743088	740786	748753	743088	744544	740786
Tube, rubber, spindle . . . . .	740711	740711	740711	740711	740711	740711	740711	740711	740711
Nut, wheelbox fixing . . . . .	153511	153511	153511	153511	153511	153511	153511	153511	153511
Bush, front . . . . .	744454	740880	54711034	54711882	740818	740880	54712339	745128	740880
Nozzle . . . . .	—	—	—	743294	—	—	743294	—	—
Bush, rear . . . . .	744455	743508	54711033	54711033	743158	54712207	54711033	54711368	743508
Washer, rubber . . . . .	—	740882	—	—	740820	740882	—	744551	740882
Cover . . . . .	—	—	—	—	—	—	—	—	—
Screw, cover fixing . . . . .	110714	110714	110714	110714	110714	110714	110714	110714	110714

For illustrations, see page R21

Note. For replacement wheelbox spare parts, see appropriate column under part number    † When ordering, quote part number shown in brackets  
 ‡ Body, wheelbox    § Recommended spares for stock    ¶ Stud, fixing    ¶ Washer, fixing nut



# DR TYPE CASINGS FOR CABLE RACKS



## DR TYPE CASINGS

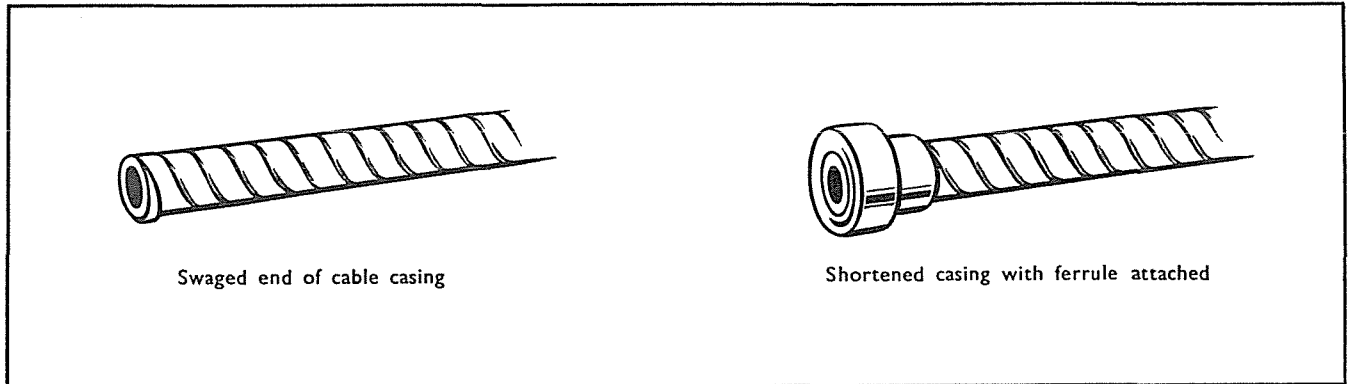
MOTOR TO WHEELBOX				WHEELBOX TO WHEELBOX			
Part No.	Part No.	Part No.	Part No.	Part No.	Part No.	Part No.	Part No.
740713	744007	745138	54710414	740714	744006	745039	54710180
740770	744048	745150	54710508	740776	744150	745066	54710208
740775	744099	745153	54710509	740779	744198	745119	54710349
740778	744149	745162	54710550	740781	744217	745127	54710363
740780	744197	745170	54710610	740782	744219	745133	54710551
740816	744249	745186	54710619	740814	744280	745139	54710612
740867	744283	745227	54710655	740889	744284	745151	54710620
740901	744299	745277	54710692	740917	744300	745168	54710693
740916	744306	745290	54710694	740953	744307	745179	54710695
740952	744327	745387	54710706	740963	744404	745226	54710839
740954	744403	745436	54710707	740982	744462	745278	54710839
740969	744463	745554	54710837	743317	744528	745386	54710951
743316	744529	745677	54710838	743510	744547	745555	54711060
743362	744546	745678	54710952	743665	744683	745713	54711250
743509	744550	745806	54711025	743706	744739	745807	54711271
743517	744682	747248	54711026	743711	744891	748795	54711647
743599	744738	748794	54711059	743778	745005	748803	54711649
743664	744838	748802	54711248	743819	745030	748868	54711716
743708	744892	748867	54711249	743881	745032	54710173	54712199
743709	745029	54710142	54711270				
743710	745037	54710143	54711301				
743777	745038	54710174	54711585				
743818	745050	54710186	54711609				
743880	745054	54710207	54711632				
743920	745065	54710280	54711646				
743940	745118	54710362	54711648				
743981	745132	54710413	54712198				
				<b>END TUBE</b>			
				Part No.	..	..	740746

# CABLE RACKS AND CASINGS



## FLEXIBLE CASINGS FOR CABLE RACKS

(CR and CRT Windshield Wipers)



To simplify service on flexible outer cable rack casings for CR and CRT wiper mechanisms, we are now stocking these items in a number of standard lengths. This supersedes the previous arrangement of supplying special lengths of cable to suit each particular vehicle. The standard lengths now supplied are:

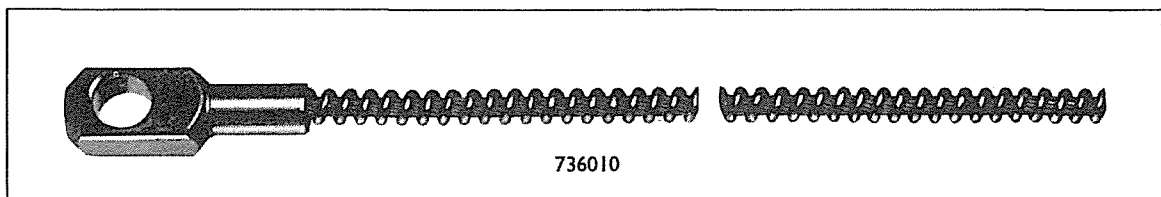
Length of Cable	Part No.	Length of Cable	Part No.
5 $\frac{1}{4}$ "	739833	22"	739868
10 $\frac{1}{2}$ "	739844	33 $\frac{11}{16}$ "	739858
16 $\frac{3}{32}$ "	739879	39 $\frac{1}{4}$ "	739866
20 $\frac{1}{2}$ "	739870		

When it is necessary to shorten the casing, it can be cut with a hacksaw to the required length. All rough edges should be cleaned off with a file after cutting.

If the length of casing required for the run between the gearbox and first wheelbox has to be shortened, a piece from the swaged end of the casing (see diagram) should be cut off. After cleaning, the loose ferrule, Part No. 738410 which is supplied with the kit, should be sweated on to the casing with its chamfered edge facing outwards to provide a lead-in for the inner driving cable. A normal soft solder can be used to secure the ferrule provided that the end of the casing and the bore of the ferrule are cleaned and tinned before assembly.

It is not necessary to solder a ferrule on to the length of casing fitted between the two wheelboxes; the casing clamps are sufficient to locate this straight run of cable where no flexing takes place.

## CABLE RACKS

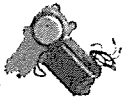


For service purposes, cable rack assemblies are supplied in standard lengths. These may be cut down as required. Details of those available are shown below.

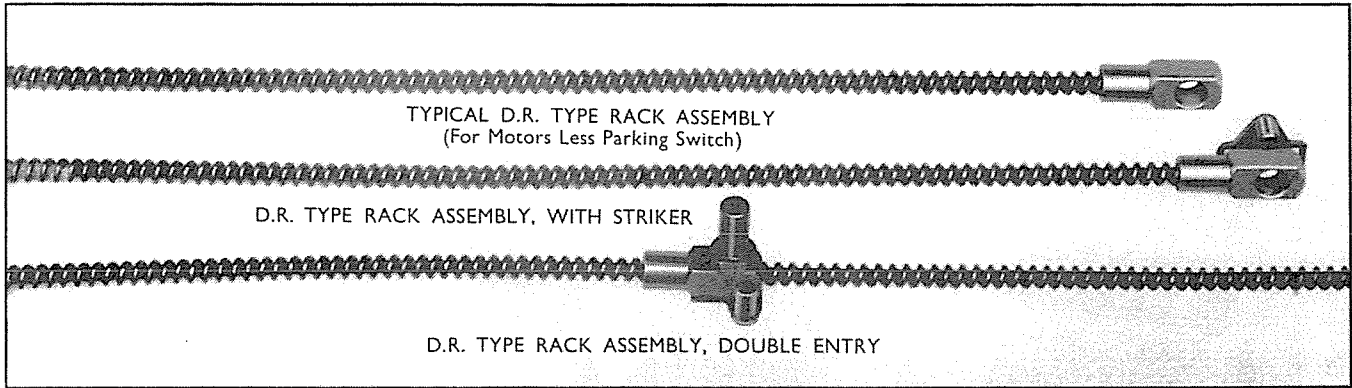
### 4W and CR WIPERS

Length	Part No.	Length	Part No.
5 $\frac{1}{16}$ "	738006	38 $\frac{3}{16}$ "	736177
13 $\frac{11}{16}$ "	736121	42 $\frac{3}{16}$ "	744833
21 $\frac{1}{16}$ "	738987	46 $\frac{5}{16}$ "	736307
27 $\frac{3}{16}$ "	736364	53 $\frac{7}{8}$ "	738499
33 $\frac{1}{16}$ "	738764	61 $\frac{3}{16}$ "	738223

Part No. 736024; Length 32 $\frac{1}{2}$ "; special guide block (no hole)



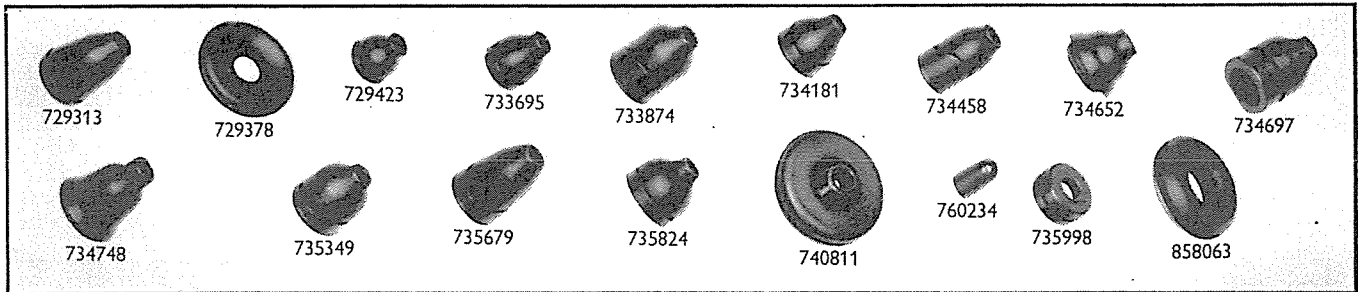
# CABLE RACKS (Windshield Wiper)



For service purposes, cable rack assemblies are supplied in standard lengths. These may be cut down as required. Details of those available are shown below.

DR1 WIPERS		DR2 WIPERS		DR2 WIPERS (Double Entry)		DR3 WIPERS	
Length	Part No.	Length	Part No.	Length	Part No.	Length	Part No.
26 <sup>33</sup> / <sub>32</sub> "	743209	35 <sup>33</sup> / <sub>32</sub> "	743221	27 <sup>1</sup> / <sub>2</sub> "	743957	20 <sup>33</sup> / <sub>32</sub> "	54712402
42 <sup>31</sup> / <sub>32</sub> "	741263	41 <sup>33</sup> / <sub>32</sub> "	743229	35 <sup>1</sup> / <sub>2</sub> "	743722	37 <sup>13</sup> / <sub>32</sub> "	744254
50 <sup>5</sup> / <sub>32</sub> "	741264	46 <sup>13</sup> / <sub>32</sub> "	743235	39 <sup>1</sup> / <sub>2</sub> "	743955	47 <sup>29</sup> / <sub>32</sub> "	744256
56 <sup>5</sup> / <sub>32</sub> "	741262	48 <sup>31</sup> / <sub>32</sub> "	743238	40 <sup>1</sup> / <sub>4</sub> "	743950	50 <sup>5</sup> / <sub>32</sub> "	744250
59 <sup>33</sup> / <sub>32</sub> "	741268	52 <sup>13</sup> / <sub>32</sub> "	743243	41"	743959	56 <sup>5</sup> / <sub>32</sub> "	744257
		58 <sup>13</sup> / <sub>32</sub> "	743251			59 <sup>33</sup> / <sub>32</sub> "	744258
		60 <sup>31</sup> / <sub>32</sub> "	743254				

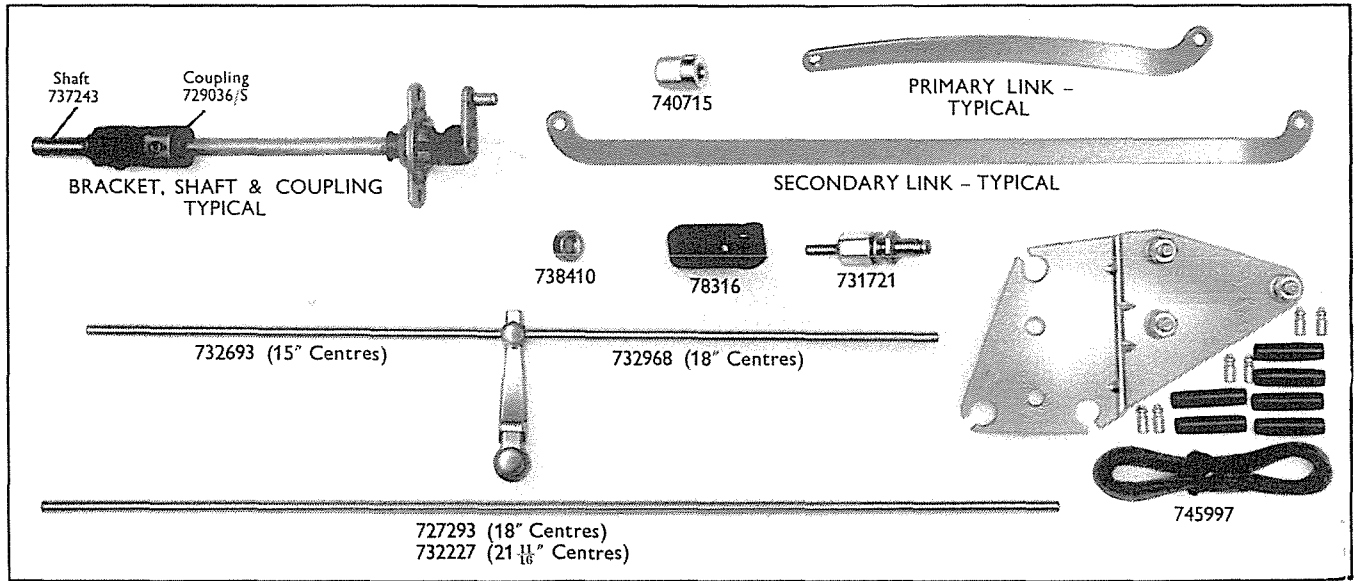
## GROMMETS



Part No.	Model	Fitted to
729313	CR4, CRT14 and SW4 .. .. .	Morgan, Sunbeam-Talbot and Triumph.
729378	SW4 .. .. .	Commer, Hillman, Jaguar, Lea Francis, Morgan, Morris, Rover, Singer, Standard, Sunbeam-Talbot, Triumph and Wolseley.
729423	CR1, CR2, CR4, CR6, CRT15 and SW4	Allard, Alvis, Aston Martin, Austin, Commer, Daimler, Healey, Jaguar, Karrier and Rover.
733695	CR4, CR6, CRT12 and SW4 .. .. .	Austin, Citroen, Healey and Jensen.
733874	CR2, CR4, CRT12, CRT14 and SW4 ..	Citroen, Commer, Hillman, Lea Francis, Rover, Singer, Standard and Wolseley.
734181	CR2, CR4, CRT14 and SW4 .. .. .	Alvis, Humber, Jaguar, Jensen, Lanchester, Singer and Standard.
734458	CR1, CR2, CR4, CRT14 and SW4 ..	Allard, Bristol, Commer, H.R.G., Jaguar, Karrier, Lea Francis, Morris, Nash-Healey and Riley.
734652	CR2 and SW4 .. .. .	Daimler, Lanchester, Riley and Wolseley.
734697	CR1, CR2 and CRT14 .. .. .	Alvis, Jowett and M.G.
734748	SW4 .. .. .	Wolseley.
735349	CR2, CR4, CRT14 and SW4 .. .. .	Commer, Daimler, Jowett, Rover and Triumph.
735679	SW4 .. .. .	Riley and Standard.
735824	CR1, CR4 and CRT14 .. .. .	Armstrong Siddeley, Humber and Lea Francis.
740811	DR .. .. .	A.C. Cars, Alvis, Aston Martin, Austin, Citroen, Daimler, Jaguar, M.G., Morris, Riley, Simca Aronde and Wolseley.
760234	CRT .. .. .	Daimler.
735998	CRT, CRT12 and CRT14 .. .. .	Conversion sets.
858063	CRT, CRT12 and CRT14 .. .. .	Conversion sets.



# WINDSHIELD WIPER SUNDRIES



## CW WIPER DETAILS

### Couplings

Part No.	Size	Finish	Special Features
727293	18" centres .. .. .	Chromium plated .. .. .	Tubular; threaded both ends.
732191	18" centres .. .. .	Chromium plated .. .. .	Square bar.
732227	21 1/16" centres .. .. .	Chromium plated .. .. .	Tubular; threaded both ends.
732693	15" centres .. .. .	Chromium plated .. .. .	Tubular; threaded both ends.
732968	18" centres .. .. .	Chromium plated .. .. .	Tubular; threaded both ends.

## DR WIPER DETAILS

Bracket, fixing	Ferrule	Circuit breaker
Part No. . . . . ‡745997	Part Nos. . . . . 738410 740715	Part No. . . . . 78316

## SW4 WIPER DETAILS

Links, primary		Links, secondary		Brackets	Shafts
Part No.	Size	Part No.	Size	Part No.	Part No.
733813	6 1/4" centres	729234	17" centres	733826	735594
733820	11 1/16" centres	733817	14" centres	734476	737054
734457	6 3/16" centres	733819	18 1/2" centres	734489	737243
734463	5 1/4" centres	734455	16" centres	734625	737273
734756	8 1/2" centres	734787	16" centres	734678	
735383	4 9/16" centres	735501	14 3/8" centres	734747	
735448	6" centres	735683	19" centres	735395	
735685	8 7/16" centres	735686	15 1/16" centres	735404	
735697	5 1/8" centres	735687	12 1/16" centres	737306	
737067	8 1/2" centres	737071	13" centres		
737095	5 1/16" centres	737097	17 1/2" centres		
737166	6 3/16" centres	737167	18" centres		
737274	5 1/8" centres	737281	16" centres		
737297	6 3/4" centres	737285	7 1/16" centres		
737337	9 5/8" centres	737312	18" centres		
		737336	18" centres		
		737338	18" centres		

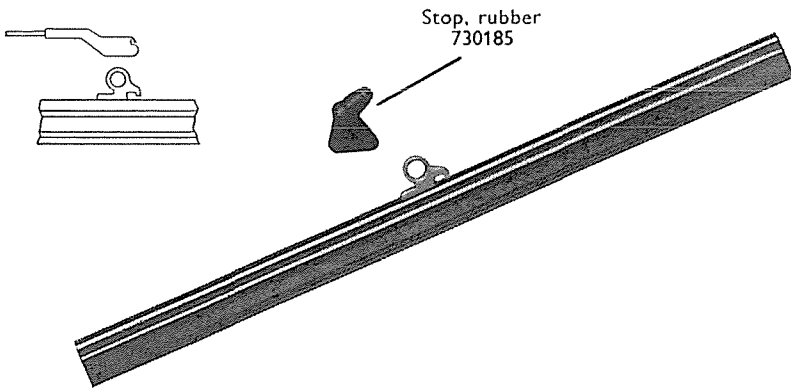
‡ Used when replacing DR1 motor by DR3 type



# WINDSHIELD WIPER BLADES

## WIPER BLADES FOR FLAT SCREENS

### STANDARD HOOK TYPE

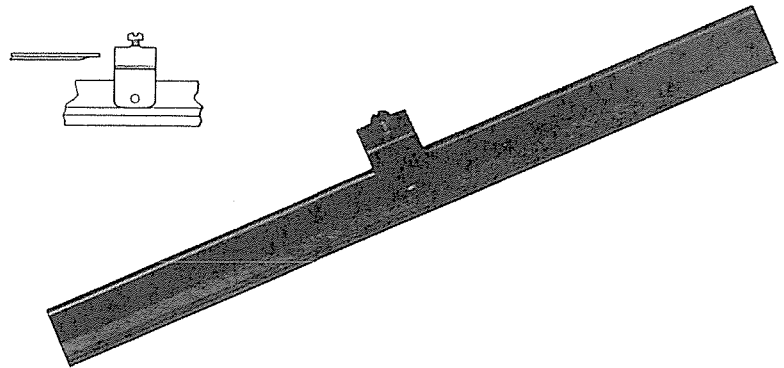


Length	Part No.	Finish	Type of Rubber
6"	727804	Black	5-ply
6"	727809	Chrome	5-ply
7"	727784	Chrome	5-ply
7"	727801	Black	5-ply
7½"	737424	Chrome	5-ply
8"	727707	Chrome	5-ply
8"	727802	Black	5-ply
9"	727759	Chrome	5-ply
9"	727803	Black	5-ply
10"	732642	Stainless	5-ply
11"	737673	Black	5-ply
11"	737800	Chrome	5-ply

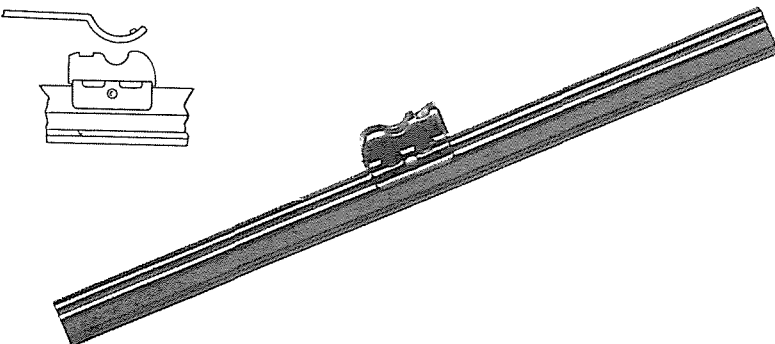
STOP, RUBBER. Part No. 730185 is used with all standard type blades.

### SCREW FIXING TYPE

Length	Part No.	Finish	Type of Rubber
11¾"	738930	Black	5-ply



### WRIST ACTION TYPE



Length	Part No.	Finish	Type of Rubber
6"	737811	Chrome	5-ply
7"	737680	Chrome	5-ply
8"	†736414	Chrome	5-ply
8"	‡737681	Chrome	5-ply
9"	736412	Chrome	5-ply
9"	741543	Chrome	Moulded
10"	736428	Chrome	5-ply
10"	741680	Chrome	Moulded
11"	737883	Chrome	5-ply
12"	737886	Chrome	5-ply

† Die cast swivel carrier

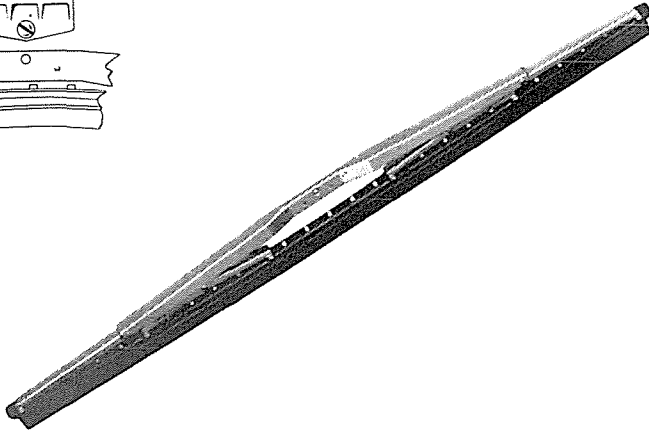
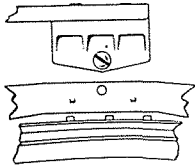
‡ Pressed carrier

continued

# WINDSHIELD WIPER BLADES



## WIPER BLADES FOR CURVED SCREENS



### SCREW FIXING TYPE

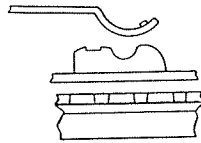
Length	Part No.	Finish	Type of Rubber
18"	54711074	Silver grey	Moulded

### DETAILED PARTS

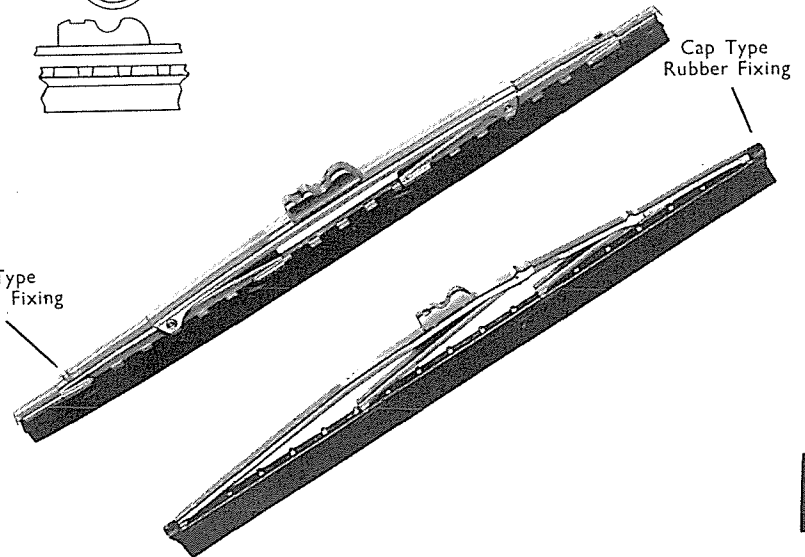
Description	Part No.
Rubber, with backing plate ..	54712384
Cap, rubber retaining .. ..	54712385

## WRIST ACTION (RAINBOW) TYPE

Length	Part No.	Finish	Type of Rubber
8"	737910	Chrome	Moulded
9"	738724	Chrome	Moulded
10"	54710656	Chrome	Moulded
10"	54711614	Chrome	Moulded
11"	737897	Chrome	Moulded
11"	54711280	Chrome	Moulded



Peg Type  
Rubber Fixing



### DETAILED PARTS

	737897	737910	738724
Rubber, with backing plate .. ..	737918	737919	738736
Cap, rubber retaining	737916	—	—
Peg .. .. .	—	737675	737675
	54710656	54711280	54711614
Rubber, with backing plate .. ..	54711103	54711780	54713149
Cap, rubber retaining	—	737916	737916
Peg .. .. .	54710968	—	—



# WINDSHIELD WIPER BLADES

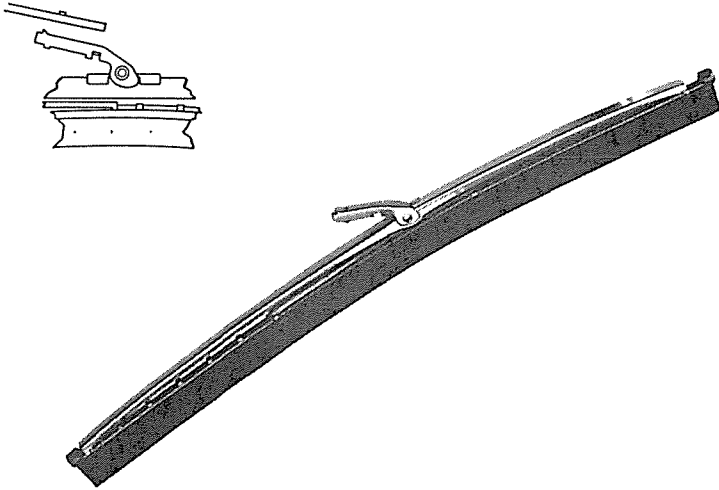
## WIPER BLADES FOR CURVED SCREENS

### BAYONET TYPE

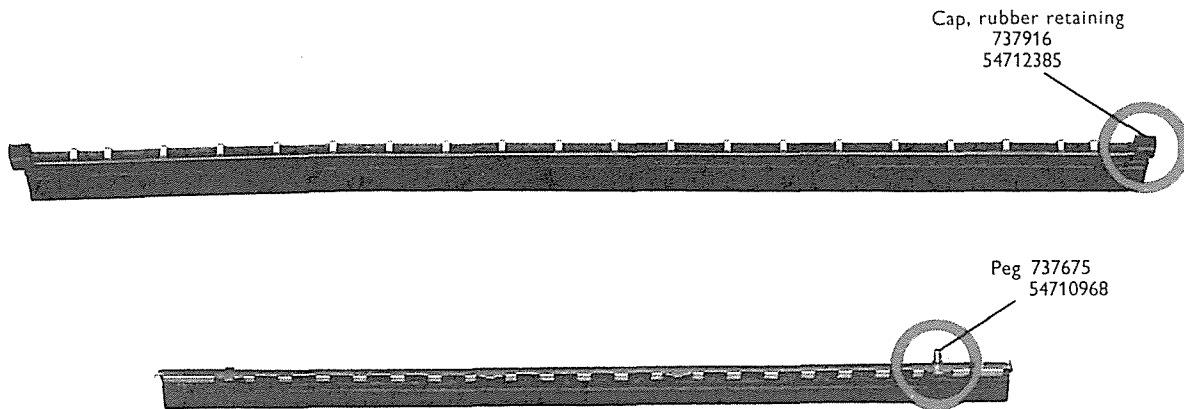
Length	Part No.	Finish	Type of Rubber
10"	54711613	Chrome	Moulded
11"	54711281	Chrome	Moulded
11"	54711282	Chrome	Moulded
12"	54711283	Chrome	Moulded
14"	54711284	Silver grey	Moulded
14"	54711285	Chrome	Moulded

### DETAILED PARTS

	54711281	54711282	54711283
Rubber, with backing plate .. ..	54711743	54711780	54711781
Cap, rubber retaining	737916	737916	737916
	54711284	54711285	54711613
Rubber, with backing plate .. ..	54712205	54712205	54712462
Cap, rubber retaining	737916	737916	737916



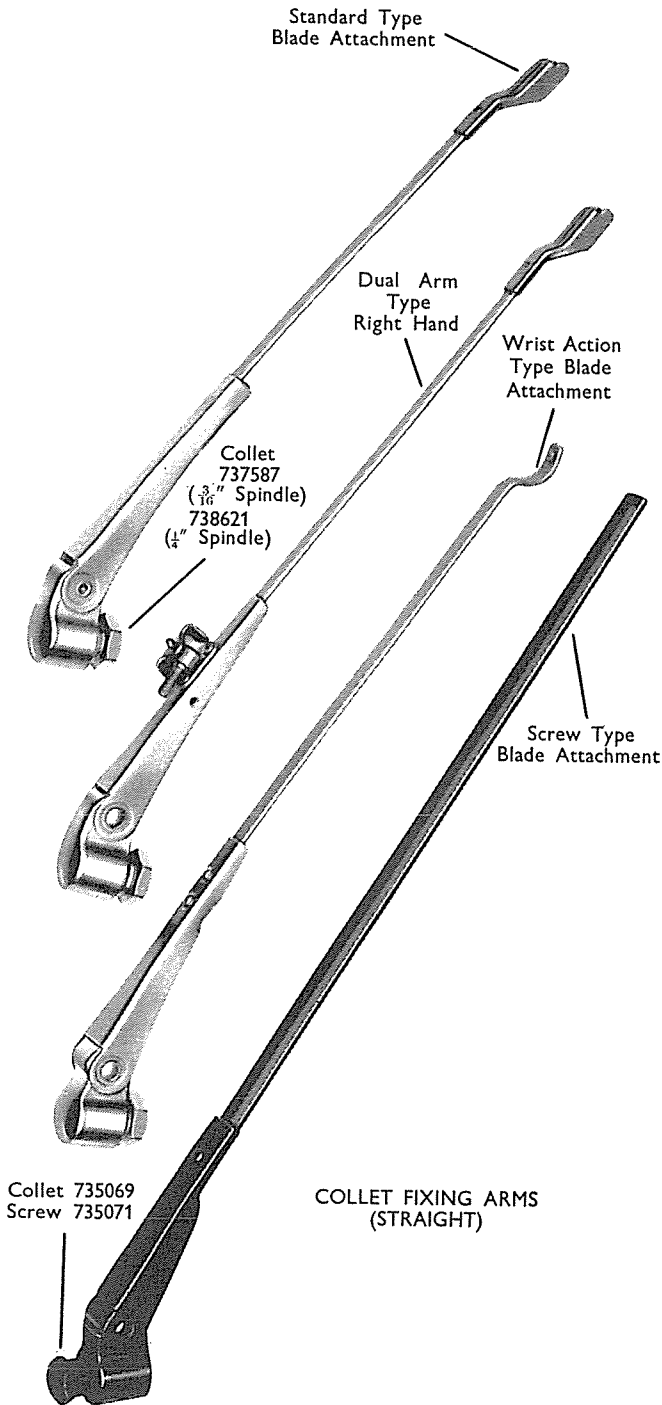
## RUBBER AND BACKING PLATE ASSEMBLIES FOR RAINBOW BLADES



# WINDSHIELD WIPER ARMS



## COLLET FIXING



### STRAIGHT — Standard Type Blade Attachment

Length	Part No.	Finish	Spindle Size	Special Features
5½"–7¾"	735097	Black	⅜"	Adjustable
5½"–7¾"	735099	Chrome	⅜"	Adjustable
7½"–9"	737839	Chrome	¼"	Adjustable; lock back
8½"	735052	Chrome	¼"	—
8½"	735054	Black	¼"	—
9"	735060	Black	¼"	—
9"	742312	Chrome	⅜"	Lock back
9½"	735064	Black	¼"	—
10½"	735072	Black	¼"	—
10½"	735156	Black	⅜"	90° lift
10½"	742313	Chrome	⅜"	Lock back

### STRAIGHT — DUAL ARM Standard Type Blade Attachment

Length	Part No.	Finish	Spindle Size	Special Features
4½"	735102	Chrome	⅜"	Dual arm; R.H.
4½"	735103	Chrome	⅜"	Dual arm; L.H.
5½"	735110	Chrome	⅜"	Dual arm; R.H.
5½"	735111	Chrome	⅜"	Dual arm, L.H.
6½"	735118	Chrome	⅜"	Dual arm; R.H.
6½"	735119	Chrome	⅜"	Dual arm; L.H.
8"	735132	Chrome	⅜"	Dual arm; R.H.
8"	735133	Chrome	⅜"	Dual arm; L.H.
9½"	735144	Chrome	⅜"	Dual arm; R.H.
9½"	735145	Chrome	⅜"	Dual arm; L.H.

### STRAIGHT — Wrist Action Type Blade Attachment

Length	Part No.	Finish	Spindle Size	Special Features
6"	742294	Chrome	¼"	Lock back
7"	742295	Chrome	¼"	Lock back
7½"	742290	Chrome	¼"	Lock back
7½"	742297	Chrome	⅜"	Lock back
8"	742291	Chrome	¼"	Lock back
8½"	736423	Chrome	¼"	—
9"	742296	Chrome	¼"	Lock back
9½"	736430	Chrome	¼"	—
10½"	742293	Chrome	¼"	Lock back
10½"	742298	Chrome	⅜"	Lock back

### STRAIGHT — Screw Type Blade Attachment

Length	Part No.	Finish	Spindle Size
10½"	738929	Black	¼"

continued



# WINDSHIELD WIPER ARMS

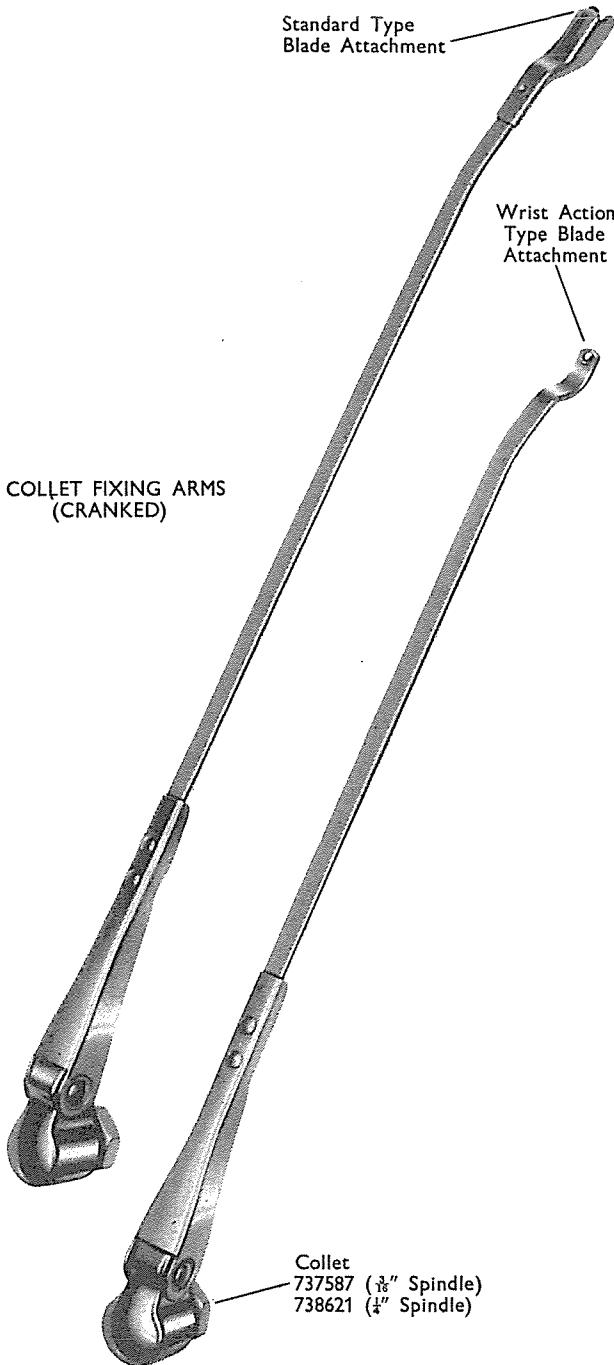
## COLLET FIXING

### CRANKED — Standard Type Blade Attachment

Length	Part No.	Finish	Crank	Spindle Size	Special Features
8"	742277	Chrome	15° R.H.	$\frac{1}{4}$ "	Lock back
8 $\frac{1}{2}$ "	737696	Black	15° L.H.	$\frac{1}{4}$ "	—
8 $\frac{3}{4}$ "	742276	Chrome	15° R.H.	$\frac{1}{4}$ "	Lock back
9"	737444	Black	15° R.H.	$\frac{1}{4}$ "	—
9"	737445	Black	15° L.H.	$\frac{1}{4}$ "	—
9"	742272	Chrome	15° R.H.	$\frac{1}{4}$ "	Lock back
9"	742273	Chrome	15° L.H.	$\frac{1}{4}$ "	Lock back
9 $\frac{1}{2}$ "	737762	Black	15° R.H.	$\frac{1}{4}$ "	—
9 $\frac{1}{2}$ "	737763	Black	15° L.H.	$\frac{1}{4}$ "	—
9 $\frac{3}{4}$ "	742274	Chrome	15° R.H.	$\frac{1}{4}$ "	Lock back
9 $\frac{3}{4}$ "	742275	Chrome	15° L.H.	$\frac{1}{4}$ "	Lock back
10"	737639	Black	15° L.H.	$\frac{1}{4}$ "	—
10"	737640	Black	15° R.H.	$\frac{1}{4}$ "	—
10 $\frac{1}{2}$ "	737495	Black	15° R.H.	$\frac{1}{4}$ "	—
10 $\frac{1}{2}$ "	737496	Black	15° L.H.	$\frac{1}{4}$ "	—
10 $\frac{3}{4}$ "	737780	Black	10° R.H.	$\frac{1}{4}$ "	—
10 $\frac{3}{4}$ "	737806	Black	10° L.H.	$\frac{1}{4}$ "	—
10 $\frac{3}{4}$ "	737830	Black	30° L.H.	$\frac{1}{4}$ "	—
10 $\frac{3}{4}$ "	737831	Black	30° R.H.	$\frac{1}{4}$ "	—
10 $\frac{3}{4}$ "	742270	Chrome	15° R.H.	$\frac{1}{4}$ "	Lock back
10 $\frac{3}{4}$ "	742271	Chrome	15° L.H.	$\frac{1}{4}$ "	Lock back
10 $\frac{3}{4}$ "	742280	Chrome	30° R.H.	$\frac{1}{4}$ "	Lock back
10 $\frac{3}{4}$ "	742281	Chrome	30° L.H.	$\frac{1}{4}$ "	Lock back

### CRANKED — Wrist Action Type Blade Attachment

Length	Part No.	Finish	Crank	Spindle Size	Special Features
6"	742156	Chrome	25° L.H.	$\frac{1}{4}$ "	Lock back
6"	742157	Chrome	25° R.H.	$\frac{1}{4}$ "	Lock back
7"	742158	Chrome	15° R.H.	$\frac{1}{4}$ "	Lock back
7"	742159	Chrome	15° L.H.	$\frac{1}{4}$ "	Lock back
8 $\frac{1}{2}$ "	742142	Chrome	10° R.H.	$\frac{1}{4}$ "	Lock back
8 $\frac{1}{2}$ "	742143	Chrome	10° L.H.	$\frac{1}{4}$ "	Lock back
8 $\frac{3}{4}$ "	742150	Chrome	15° R.H.	$\frac{1}{4}$ "	Lock back
8 $\frac{3}{4}$ "	742151	Chrome	15° L.H.	$\frac{1}{4}$ "	Lock back
9"	737575	Chrome	10° R.H.	$\frac{1}{4}$ "	—
9"	742144	Chrome	15° R.H.	$\frac{1}{4}$ "	Lock back
9"	742145	Chrome	15° L.H.	$\frac{1}{4}$ "	Lock back
9"	742160	Chrome	10° L.H.	$\frac{1}{4}$ "	Lock back
9 $\frac{1}{2}$ "	742140	Chrome	10° R.H.	$\frac{1}{4}$ "	Lock back
9 $\frac{1}{2}$ "	742141	Chrome	10° L.H.	$\frac{1}{4}$ "	Lock back
9 $\frac{1}{2}$ "	742146	Chrome	15° R.H.	$\frac{1}{4}$ "	Lock back
9 $\frac{1}{2}$ "	742147	Chrome	15° L.H.	$\frac{1}{4}$ "	Lock back
10"	742154	Chrome	15° R.H.	$\frac{1}{4}$ "	Lock back
10"	742155	Chrome	15° L.H.	$\frac{1}{4}$ "	Lock back
10"	742282	Chrome	20° L.H.	$\frac{1}{4}$ "	Lock back
10"	742349	Chrome	20° R.H.	$\frac{1}{4}$ "	Lock back
10 $\frac{1}{2}$ "	742148	Chrome	15° R.H.	$\frac{1}{4}$ "	Lock back
10 $\frac{1}{2}$ "	742149	Chrome	15° L.H.	$\frac{1}{4}$ "	Lock back
10 $\frac{3}{4}$ "	742152	Chrome	10° R.H.	$\frac{1}{4}$ "	Lock back
10 $\frac{3}{4}$ "	742153	Chrome	10° L.H.	$\frac{1}{4}$ "	Lock back
11 $\frac{3}{16}$ "	745967	Chrome and black	20° R.H.	$\frac{1}{4}$ "	Lock back
11 $\frac{3}{16}$ "	745968	Chrome and black	20° L.H.	$\frac{1}{4}$ "	Lock back



COLLET FIXING ARMS (CRANKED)

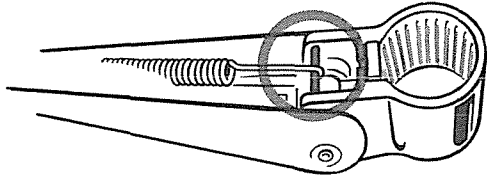
# WINDSHIELD WIPER ARMS



## COLOUR CODE FOR SPRING TENSIONS

Certain coil spring loaded arms are similar in construction except for the difference in pressure exerted on the screen. The correct pressure can be selected by using the following code. The colour of the spring anchor pin denoting the load.

Black ..	3-5 ozs.	Red ..	9-11 ozs.
Green ..	5-7 ozs.	White ..	11-13 ozs.
Blue ..	7-9 ozs.	Yellow ..	13-16 ozs.



Bayonet Type Blade Attachment



SPLINE FIXING ARM  
(CRANKED)

## SPLINE FIXING

### COIL SPRING TYPES

#### CRANKED — Bayonet Type Blade Attachment

Length	Part No.	Finish	Crank	Colour Code
10 $\frac{1}{4}$ "	54711525	Chrome	10° R.H.	Blue
10 $\frac{1}{4}$ "	54711526	Chrome	10° L.H.	Blue
10 $\frac{3}{8}$ "	54712030	Chrome	10° R.H.	Blue
10 $\frac{3}{8}$ "	54712031	Chrome	10° L.H.	Blue
11"	54712027	Chrome	10° R.H.	Yellow
11 $\frac{1}{4}$ "	54711534	Chrome	10° R.H.	Blue
11 $\frac{1}{4}$ "	54711535	Chrome	10° L.H.	Blue
11 $\frac{1}{2}$ "	54710232	Silver grey	10° R.H.	Blue
11 $\frac{1}{2}$ "	54710233	Silver grey	10° L.H.	Blue
11 $\frac{1}{2}$ "	54711212	Chrome	10° L.H.	Red
11 $\frac{1}{2}$ "	54711530	Silver grey	20° R.H.	Blue
11 $\frac{1}{2}$ "	54711531	Silver grey	20° L.H.	Blue
11 $\frac{1}{2}$ "	54711536	Chrome	10° R.H.	Blue
11 $\frac{1}{2}$ "	54711537	Chrome	10° L.H.	Blue
11 $\frac{3}{4}$ "	54711434	Chrome	10° L.H.	Red
12"	54710008	Chrome	10° R.H.	White
12"	54710009	Chrome	10° L.H.	White
12"	†54711431	Chrome	10° R.H.	Blue
12"	†54711432	Chrome	10° L.H.	Blue
12"	54711532	Chrome	10° R.H.	Blue
12"	54711533	Chrome	10° L.H.	Blue
12"	54711552	Chrome	10° R.H.	Red
12"	54711553	Chrome	10° L.H.	Red
12"	54712028	Silver grey	10° R.H.	Blue
12"	54712029	Silver grey	10° L.H.	Blue
12 $\frac{1}{4}$ "	54710230	Silver grey	10° L.H.	Blue
12 $\frac{1}{4}$ "	54710231	Silver grey	10° R.H.	Blue
12 $\frac{1}{2}$ "	54711538	Chrome	10° R.H.	Blue
12 $\frac{1}{2}$ "	54711539	Chrome	10° L.H.	Blue
12 $\frac{1}{2}$ "	54711540	Silver grey	10° R.H.	Blue
12 $\frac{1}{2}$ "	54711541	Silver grey	10° L.H.	Blue
12 $\frac{1}{2}$ "	54711542	Silver grey	15° R.H.	Blue
12 $\frac{1}{2}$ "	54711543	Silver grey	15° L.H.	Blue
13"	54711544	Chrome	10° R.H.	Blue
13"	54711545	Chrome	10° L.H.	Blue
13 $\frac{1}{2}$ "	54711211	Chrome	10° L.H.	White
14"	54711546	Chrome	10° R.H.	Blue
14"	54711547	Chrome	10° L.H.	Blue

## COLLET FIXING

### COIL SPRING TYPES

#### CRANKED — Bayonet Type Blade Attachment

Length	Part No.	Finish	Crank	Colour Code
11 $\frac{1}{4}$ "	745643	Chrome	10° L.H.	Red
11 $\frac{1}{4}$ "	745644	Chrome	10° R.H.	Red

† Special for Rolls-Royce

continued

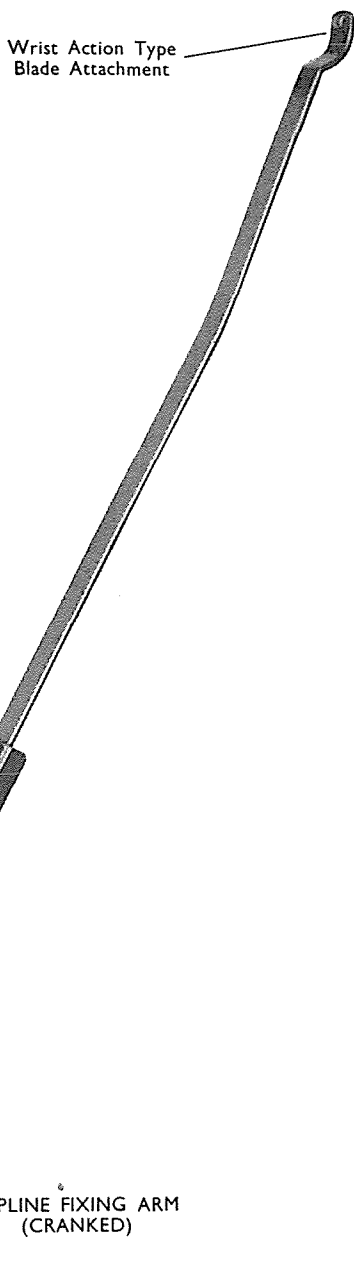


# WINDSHIELD WIPER ARMS

## SPLINE FIXING

### COIL SPRING TYPES

#### CRANKED – Wrist Action Type Blade Attachment



Length	Part No.	Finish	Crank	Colour Code
9"	54711565	Chrome	15° R.H.	Blue
9"	54711566	Chrome	15° L.H.	Blue
9 $\frac{1}{4}$ "	54711567	Chrome	15° R.H.	Blue
9 $\frac{1}{4}$ "	54711568	Chrome	15° L.H.	Blue
10 $\frac{1}{2}$ "	54711557	Chrome	10° R.H.	Green
10 $\frac{1}{2}$ "	54711558	Chrome	10° L.H.	Green
10 $\frac{1}{2}$ "	54711569	Chrome	10° R.H.	Blue
10 $\frac{1}{2}$ "	54711570	Chrome	10° L.H.	Blue
11 $\frac{1}{2}$ "	54711555	Chrome	10° R.H.	Blue
11 $\frac{1}{2}$ "	54711556	Chrome	10° L.H.	Blue
11 $\frac{1}{2}$ "	54711561	Chrome	10° R.H.	Green
11 $\frac{1}{2}$ "	54711562	Chrome	10° L.H.	Green
11 $\frac{1}{2}$ "	54711573	Chrome	10° R.H.	White
11 $\frac{1}{2}$ "	54711574	Chrome	10° L.H.	White
12 $\frac{1}{2}$ "	743528	Chrome	15° R.H.	Blue
12 $\frac{1}{2}$ "	743529	Chrome	15° L.H.	Blue
12 $\frac{1}{2}$ "	745652	Chrome	15° R.H.	White
12 $\frac{1}{2}$ "	745653	Chrome	15° L.H.	White
12 $\frac{1}{2}$ "	54711450	Chrome	10° R.H.	Red
12 $\frac{1}{2}$ "	54711451	Chrome	10° L.H.	Red
12 $\frac{1}{2}$ "	54711563	Chrome	10° R.H.	Green
12 $\frac{1}{2}$ "	54711564	Chrome	10° L.H.	Green
12 $\frac{1}{2}$ "	54711571	Chrome	10° R.H.	Blue
12 $\frac{1}{2}$ "	54711572	Chrome	10° L.H.	Blue

### LOCK BACK TYPES

#### CRANKED – Wrist Action Type Blade Attachment

Length	Part No.	Finish	Crank
8"	745089	Chrome	15° R.H.
8 $\frac{1}{2}$ "	745076	Chrome	15° L.H.
8 $\frac{1}{2}$ "	745077	Chrome	15° R.H.
9"	745075	Chrome	15° R.H.
9"	745084	Chrome	15° L.H.
9 $\frac{1}{2}$ "	745073	Chrome	10° R.H.
9 $\frac{1}{2}$ "	745074	Chrome	10° L.H.
9 $\frac{1}{2}$ "	745082	Chrome	15° R.H.
9 $\frac{1}{2}$ "	745083	Chrome	15° L.H.
10"	745080	Chrome	10° R.H.
10"	745081	Chrome	10° L.H.
10"	745085	Chrome	15° R.H.
10"	745086	Chrome	15° L.H.
10 $\frac{1}{2}$ "	745071	Chrome	10° R.H.
10 $\frac{1}{2}$ "	745072	Chrome	10° L.H.
10 $\frac{1}{2}$ "	745384	Chrome	30° R.H.
10 $\frac{1}{2}$ "	745385	Chrome	30° L.H.

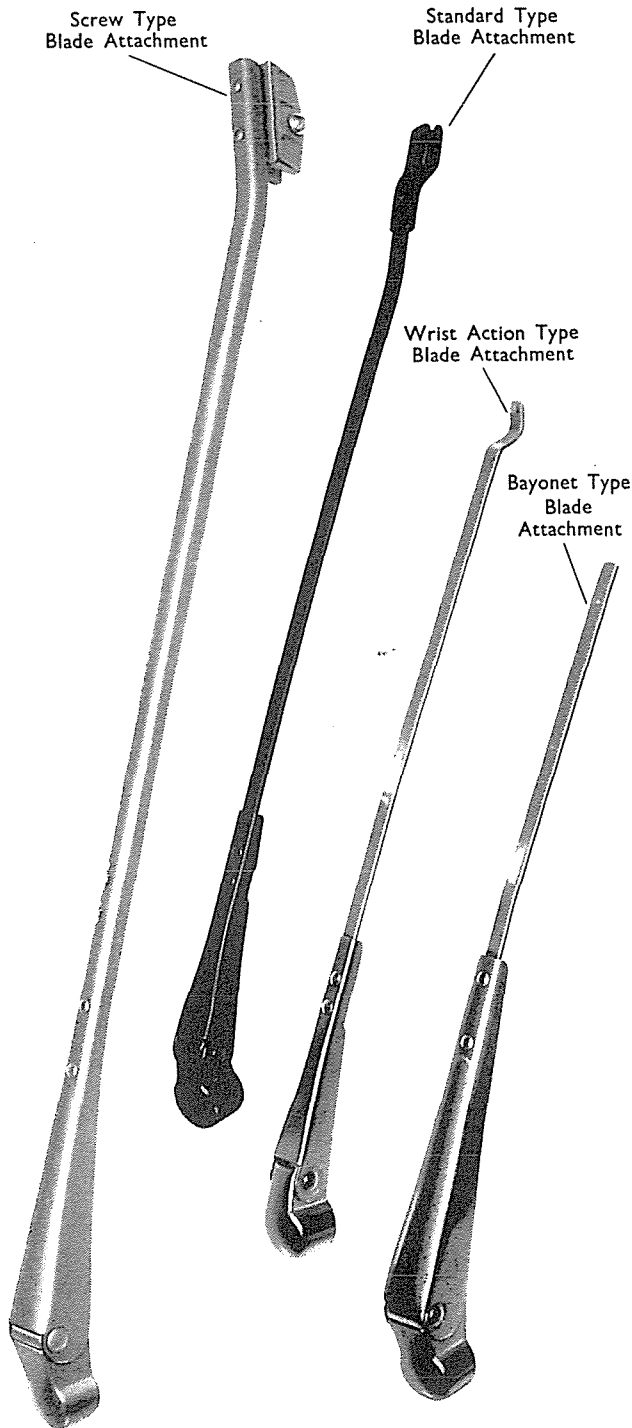
continued



# WINDSHIELD WIPER ARMS



## SPLINE FIXING



SPLINE FIXING ARMS

## COIL SPRING TYPES

### CRANKED – Screw Type Blade Attachment

Length	Part No.	Finish	Crank	Colour Code
14"	54712110	Silver grey	20° R.H.	Red
14"	54712111	Silver grey	20° L.H.	Red

### STRAIGHT – Wrist Action Type Blade Attachment

Length	Part No.	Finish	Colour Code
8"	741813	Chrome	Red
11½"	54712081	Chrome	Green

### STRAIGHT – Bayonet Type Blade Attachment

Length	Part No.	Finish	Colour Code
8¾"	54711529	Chrome	Blue
11½"	54711202	Chrome	Red
12"	†54710542	Chrome	Blue
12"	54712050	Chrome	Blue
13½"	54711201	Chrome	White
14"	54712051	Silver grey	Blue

## LOCK BACK TYPES

### CRANKED – Standard Type Blade Attachment

Length	Part No.	Finish	Crank
10½"	745380	Black	10° R.H.
10½"	745381	Black	10° L.H.
10½"	745382	Black	30° R.H.
10½"	745383	Black	30° L.H.

### STRAIGHT – Wrist Action Type Blade Attachment

Length	Part No.	Finish	Special Features
8"	741488	Chrome	—
8½"	741485	Chrome	—
9"	741489	Chrome	—
9½"	741487	Chrome	—
10"	741450	Chrome	With roller
10½"	741486	Chrome	—

† Complete with bracket and nylon peg

continued



# WINDSHIELD WIPER ARMS

## UNIVERSAL REPLACEMENT ARMS

Designed to replace wiper arms on most British and American cars and trucks

The new range provides suitable replacements for arms between 7½" and 13½" in length and of varying designs for blade and spindle fixing. All arms can be adjusted to suit any degree of crank.

### UNIVERSAL ARMS

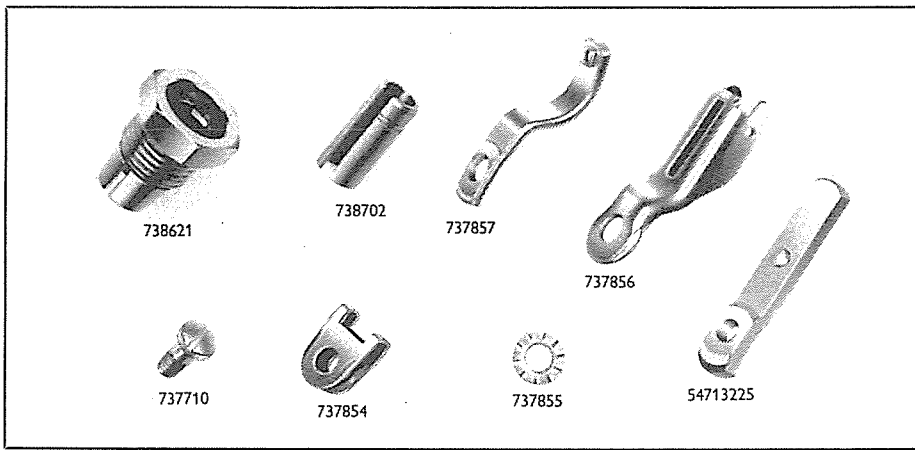
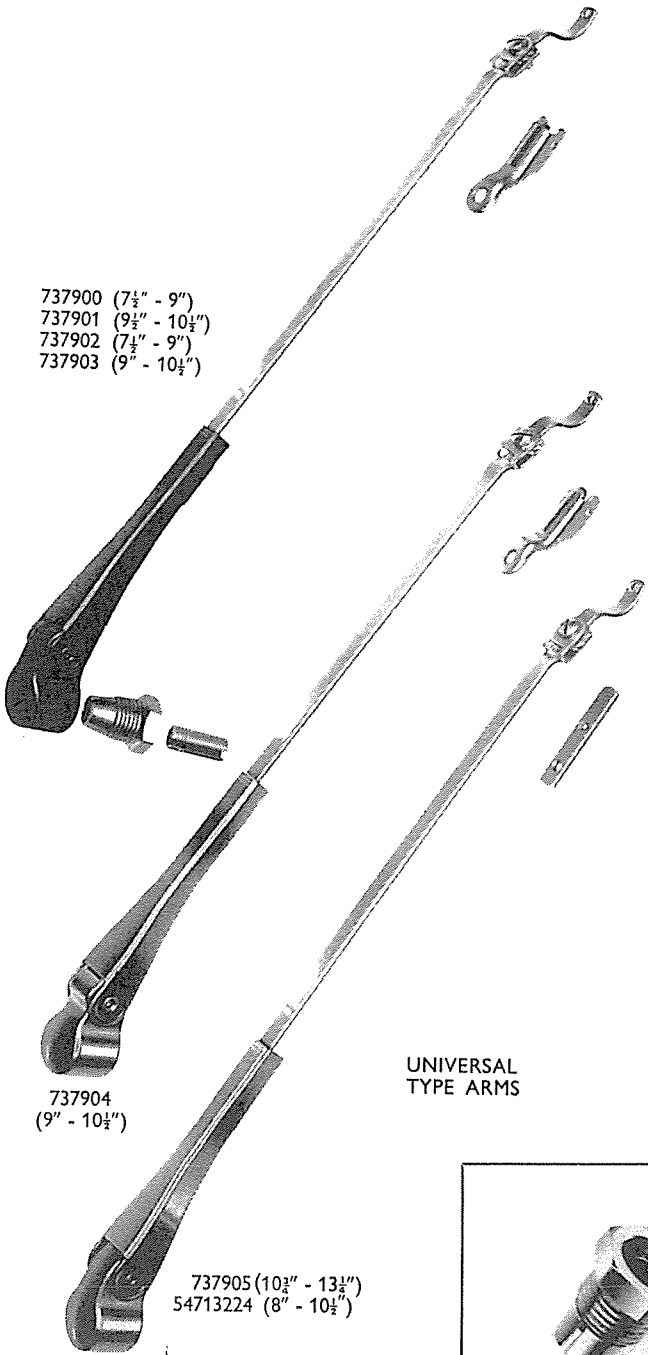
Length	Part No.	Finish	Spindle Size	Special Features
7½" - 9"	737900	Black	¼" or ⅜"	—
7½" - 9"	737902	Chrome	¼" or ⅜"	Lock back
9" - 10½"	737903	Chrome	¼" or ⅜"	Lock back
9" - 10½"	737904	Chrome	Splined	Lock back
9" - 10½"	737901	Black	¼" or ⅜"	—
10¾" - 13½"	737905	Chrome	Splined	Coil spring
8" - 10½"	54713224	Chrome	Splined	Coil spring

### COLLET FIXING DETAILS

	737900	737901	737902	737903
Collet .. ..	738621	738621	738621	738621
Sleeve .. ..	738702	738702	738702	738702
Attachment (Wrist action)	737857	737857	737857	737857
(Standard) ..	737856	737856	737856	737856
Screw .. ..	737710	737710	737710	737710
Plate .. ..	737854	737854	737854	737854
Washer .. ..	737855	737855	737855	737855

### SPLINE FIXING DETAILS

	737904	737905	54713224
Attachment (Wrist action) ..	737857	737857	737857
(Standard) .. ..	737856	—	—
(Bayonet) .. ..	—	54713225	54713225
Screw .. ..	737710	737710	737710
Plate .. ..	737854	737854	737854
Washer .. ..	737855	737855	737855



continued

# WINDSHIELD WIPER ARMS



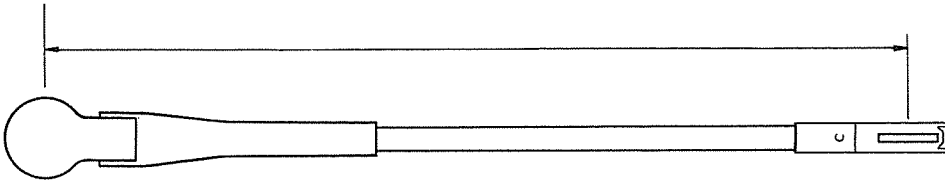
## UNIVERSAL REPLACEMENT ARMS

Part No.	Universal Replacement	Part No.	Universal Replacement	Part No.	Universal Replacement
735052	737902	742150	737902	54710005	737905
735054	737900	742151	737902	54710006	737905
735060	737900	742152	737903	54710008	737905
735064	737901	742153	737903	54710009	737905
735072	737901	742154	737903	54710542	737905
735156	737901	742155	737903	54711202	737905
736423	737902	742160	737902	54711212	737905
736430	737903	742270	737903	54711431	737905
737444	737900	742271	737903	54711432	737905
737445	737900	742272	737902	54711434	737905
737495	737901	742273	737902	54711450	737905
737496	737901	742274	737903	54711451	737905
737575	737902	742275	737903	54711525	54713224
737622	737902	742276	737902	54711526	54713224
737639	737901	742277	737902	54711529	54713224
737640	737901	742280	737903	54711532	737905
737696	737900	742281	737903	54711533	737905
737762	737901	742282	737903	54711534	737905
737763	737901	742290	737902	54711535	737905
737780	737901	742291	737902	54711536	737905
737806	737901	742293	737903	54711537	737905
737830	737901	742296	737902	54711538	737905
737831	737901	742297	737902	54711539	737905
737839	737902	742298	737903	54711544	737905
741240	737903	742312	737902	54711545	737905
741241	737903	742313	737903	54711552	737905
741246	737903	742349	737903	54711553	737905
741247	737903	743523	737905	54711555	737905
741483	737903	743527	737905	54711556	737905
741485	737902	743528	737905	54711557	54713224
741486	737903	743529	737905	54711558	54713224
741487	737903	744140	737905	54711561	737905
741488	737902	745071	737904	54711562	737905
741489	737902	745072	737904	54711563	737905
741810	737905	745073	737904	54711564	737905
741813	54713224	745074	737904	54711565	54713224
741832	737902	745075	737904	54711566	54713224
741833	737902	745080	737904	54711567	54713224
741836	737905	745081	737904	54711568	54713224
741837	737905	745082	737904	54711569	54713224
741838	737905	745083	737904	54711570	54713224
741839	737905	745084	737904	54711571	737905
741847	54713224	745085	737904	54711572	737905
741848	737905	745086	737904	54711573	737905
742142	737902	745089	54713224	54711574	737905
742143	737902	745384	737904	54712027	737905
742144	737902	745385	737904	54712030	737905
742145	737902	745651	54713224	54712031	737905
742148	737903	745652	737905	54712050	737905
742149	737903	745653	737905	54712081	737905

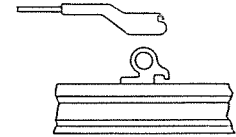


# WINDSHIELD WIPER ARMS

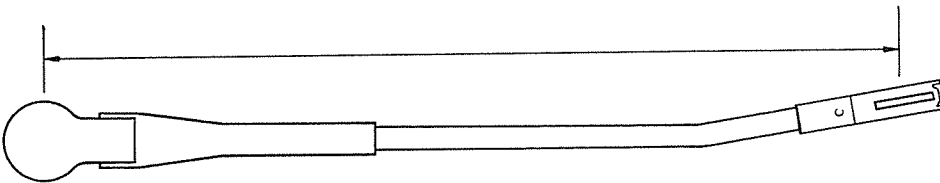
## MEASURING LUCAS WIPER ARMS



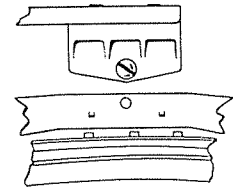
Lucas Adjustable Arms should be measured from centre of head to centre of clip or hook and dimensions given for fully closed and fully extended.



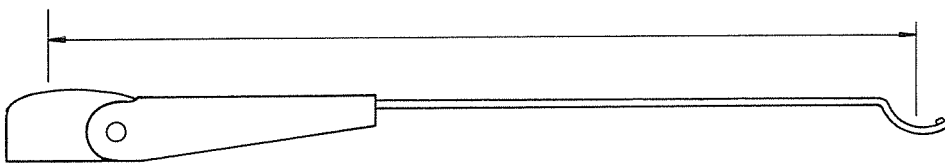
**STANDARD FIXING**



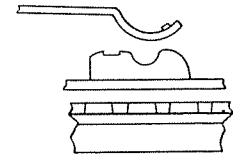
Lucas fixed length arms, straight or cranked, are measured from centre of head to centre of clip or hook.



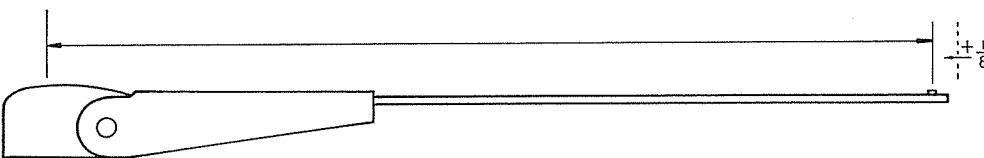
**SCREW FIXING**



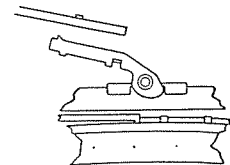
Wrist Action type arms should be measured to centre of hook as illustrated.



**WRIST ACTION**



Flat ended bayonet type arms should be measured to centre of pip, and then add  $\frac{1}{8}$ " to arrive at catalogued length.



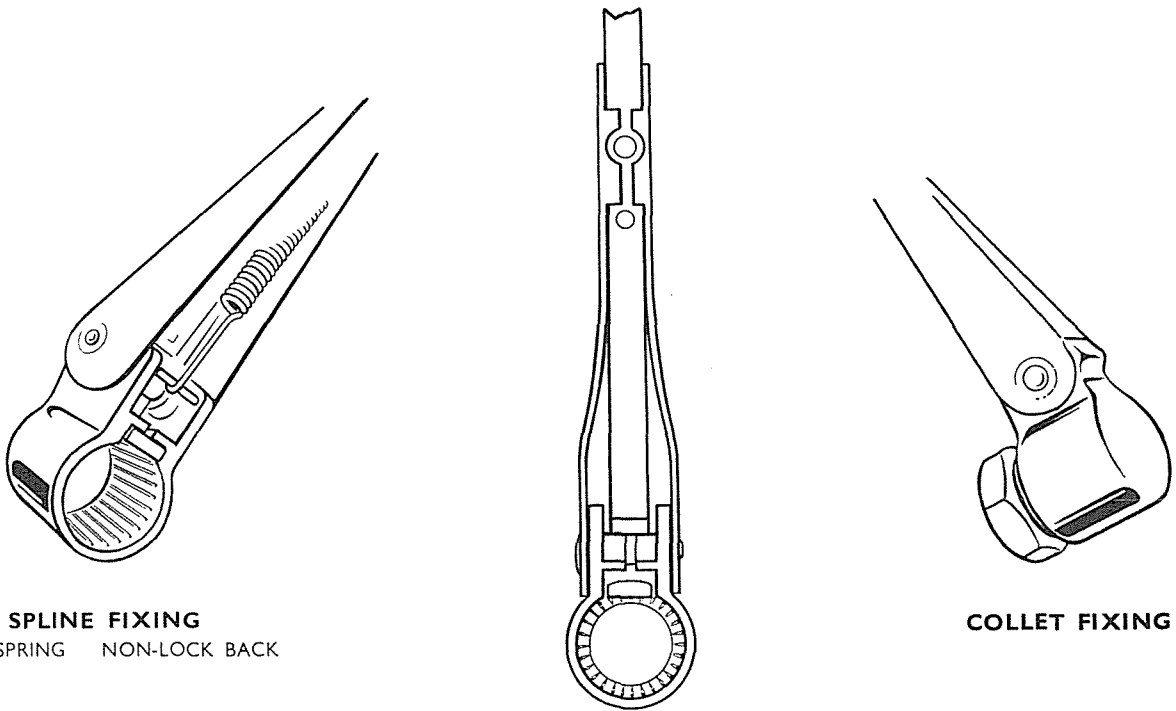
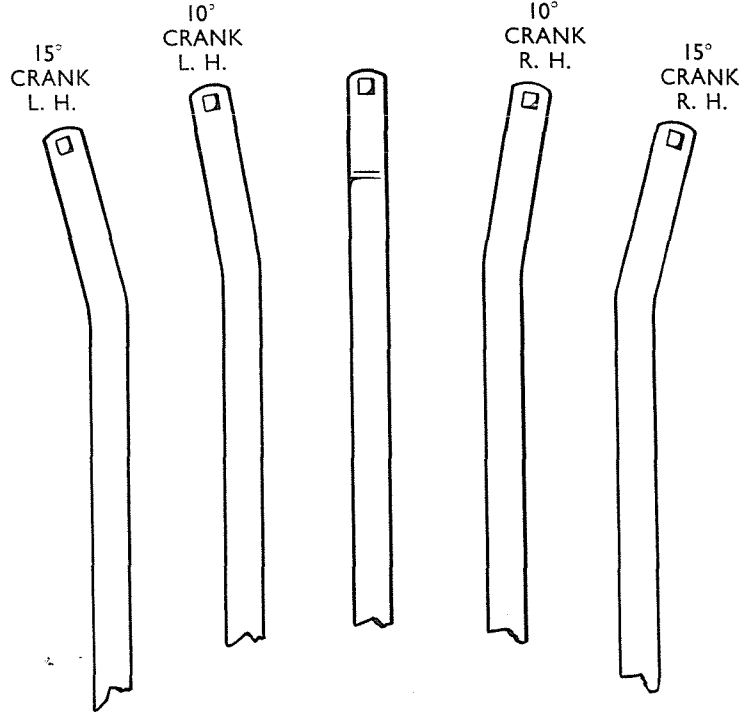
**BAYONET FIXING**

# WINDSHIELD WIPER ARMS



## ANGLE OF CRANK

To determine the angle of crank, Wiper Arm should be placed in the appropriate position below.

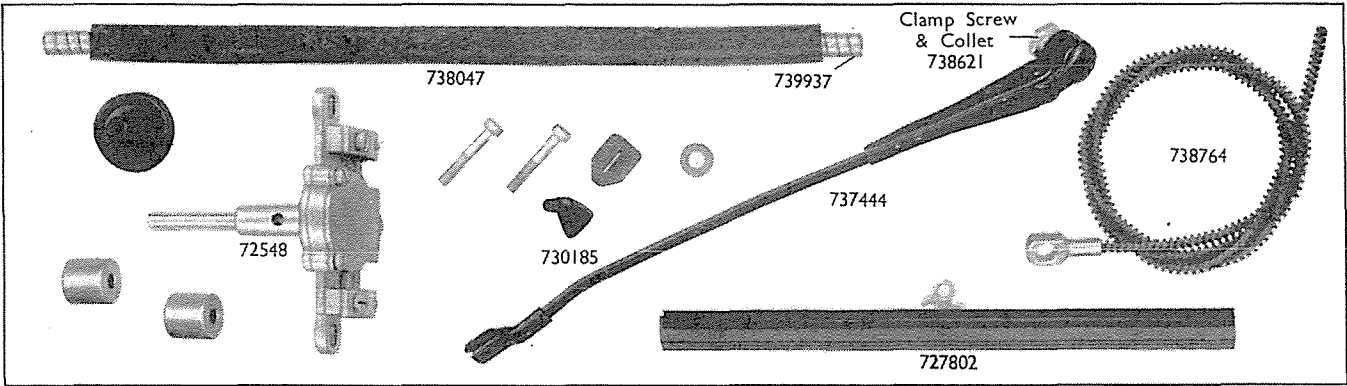


The expression "LEFT HAND" and "RIGHT HAND" is as viewed from the driver's seat.



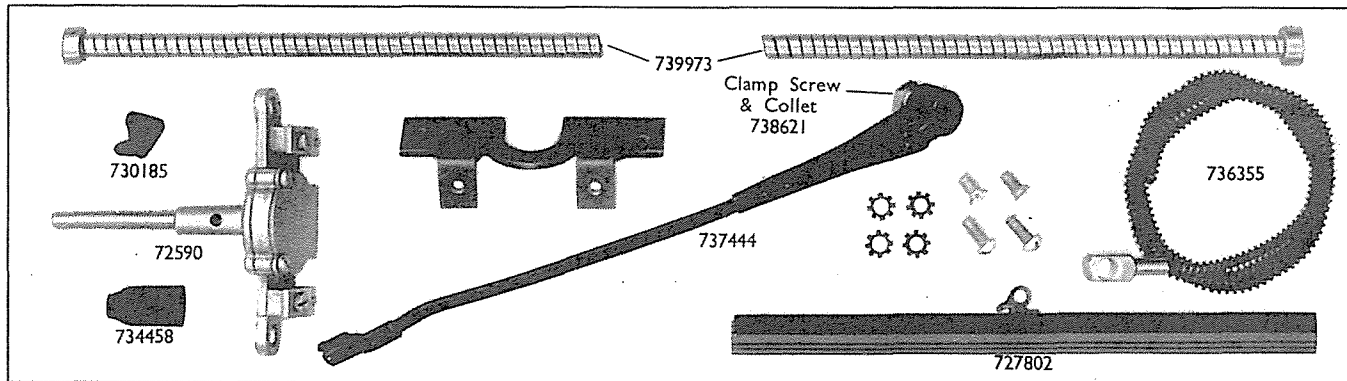
# DUAL ARM ATTACHMENT SETS

for converting from single to dual wipe



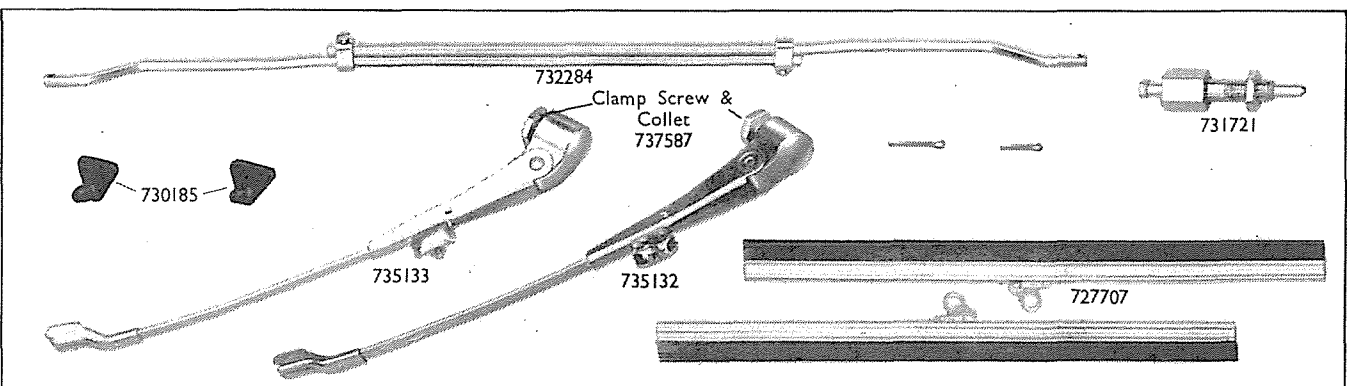
**Part No. 072659 Model CR4.** Suitable for Austin A40 1948. Set comprises:

1 Wheelbox .. .. .	†72548 (72662)	1 Arm .. .. .	737444
1 Cable rack .. .. .	738764	1 Blade .. .. .	727802
1 Casing, outer .. .. .	739937	1 Stop .. .. .	730185
1 Tube, rubber .. .. .	738047	1 Liner .. .. .	734182



**Part No. 072662 Model CR4.** Suitable for Morris 'Minor' 1949-50. Set comprises:

1 Wheelbox .. .. .	72590	1 Arm .. .. .	737444
1 Cable rack .. .. .	†736355 (738764)	1 Blade .. .. .	727802
1 Casing, outer .. .. .	739973	1 Stop .. .. .	730185
		1 Grommet .. .. .	734458



**Part No. 732479 Models CW and DW.** Suitable for all vehicles fitting CW or DW windshield wiper. Includes a 14"-20" adjustable bar. Set comprises:

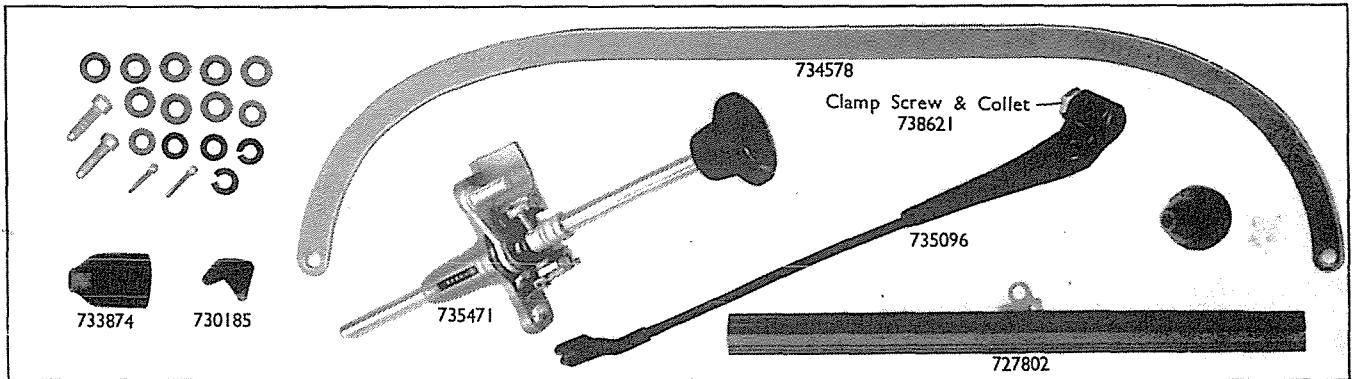
1 Arm, right hand .. .. .	735132	2 Blades .. .. .	727707
1 Arm, left hand .. .. .	735133	2 Stops, rubber .. .. .	730185
1 Coupling bar assembly .. .. .	732284	1 Bearing, passenger side .. .. .	731721
2 Cotter pins .. .. .	186711		

† When ordering, quote part number shown in brackets

continued

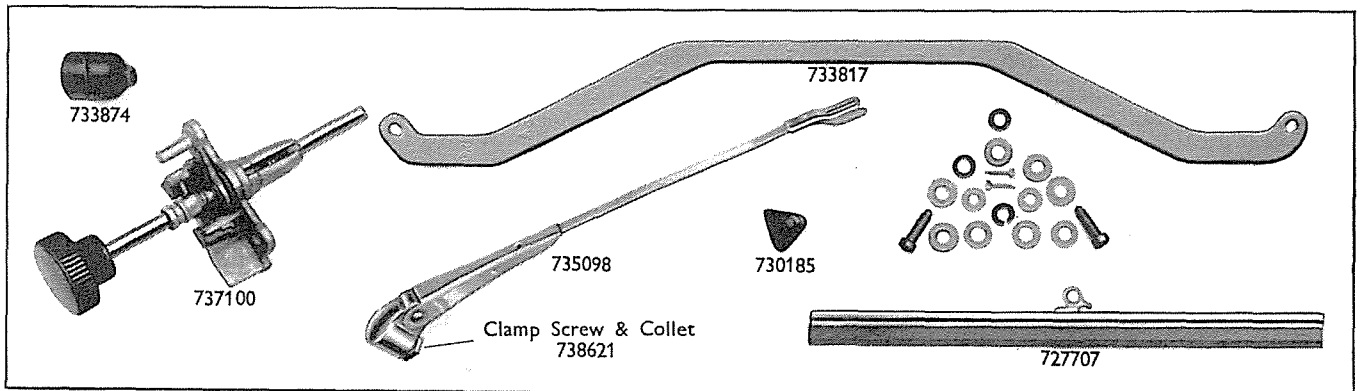
# DUAL ARM ATTACHMENT SETS

for converting from single to dual wipe



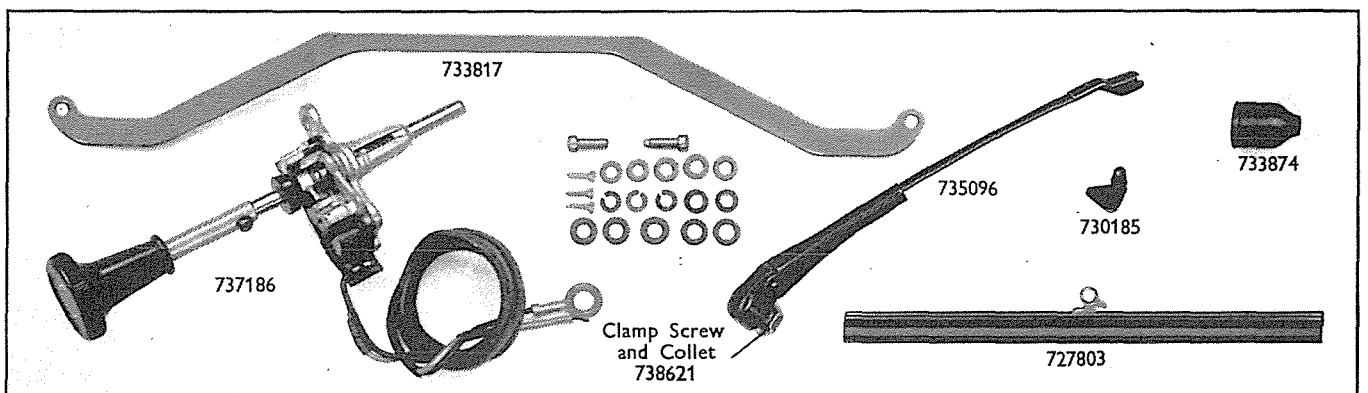
Part No. 734710 Model SW4. Suitable for Morris 8 1939-47. Set comprises:

1 Arm .. .. .	†735096 (737900)	1 Grommet .. .. .	733874
1 Blade .. .. .	727802	1 Link .. .. .	734578
1 Stop, rubber .. .. .	730185	1 Clutch housing .. .. .	735471



Part No. 734725 Model SW4. Suitable for Hillman 'Minx' 1939-46. Set comprises:

1 Clutch housing .. .. .	†737100 (737357)	1 Arm .. .. .	†735098 (737902)
1 Main link .. .. .	733817	1 Blade .. .. .	727707
1 Grommet .. .. .	733874	1 Stop .. .. .	730185



Part No. 734726 Model SW4. Suitable for Austin 10 and 12 Vans 1939 and Standard 8 1939-46. Set comprises:

1 Arm .. .. .	†735096 (737900)	1 Grommet .. .. .	733874
1 Blade .. .. .	727803	1 Clutch housing .. .. .	737186
1 Stop, rubber .. .. .	730185	1 Main link .. .. .	733817

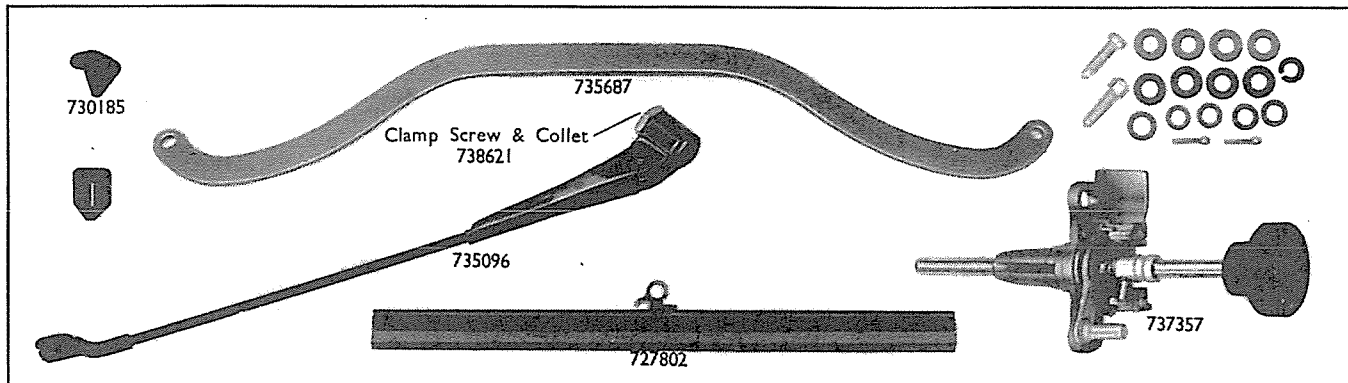
† When ordering, quote part number shown in brackets

continued



# DUAL ARM ATTACHMENT SETS

for converting from single to dual wipe



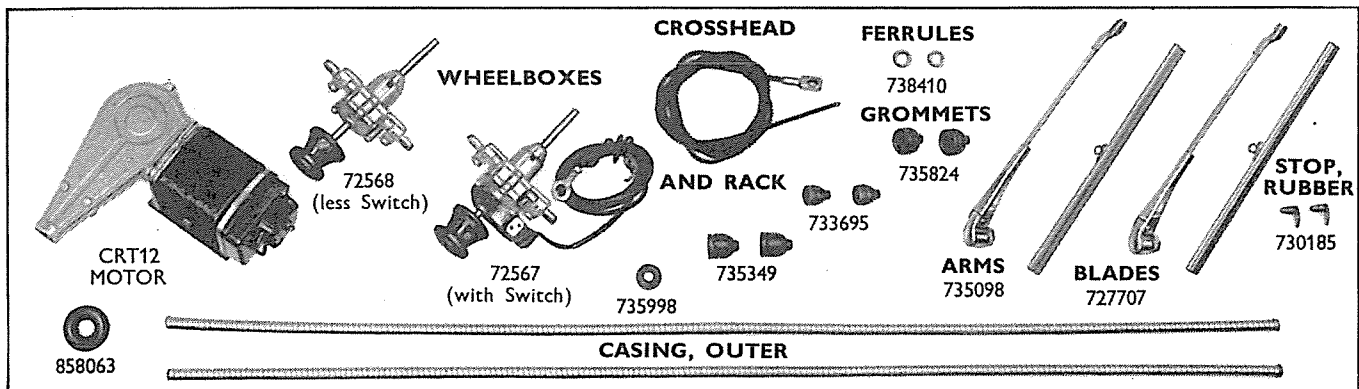
Part No. 737340 Model SW4. Suitable for Austin 8 1945-46. Set comprises:

1 Clutch housing .. .. .	737357	1 Blade .. .. .	727802
1 Main link .. .. .	735687	1 Stop .. .. .	730185
1 Arm .. .. .	†735096 (737900)	1 Liner .. .. .	734182

## CONVERSION SETS (Windshield Wiper)

The following complete sets of windshield wiper equipment are available for cases where it is desired to replace either the older SW type of wiper or the suction type.

(For fitting instructions, see Instruction Booklet 847A issued by Advertising Dept., Joseph Lucas Ltd., Great King St., Birmingham 19).



Part No. 072840 Model CRT12. 12 volt; 120° angle of wipe; 2-stud motor fixing. Set comprises:

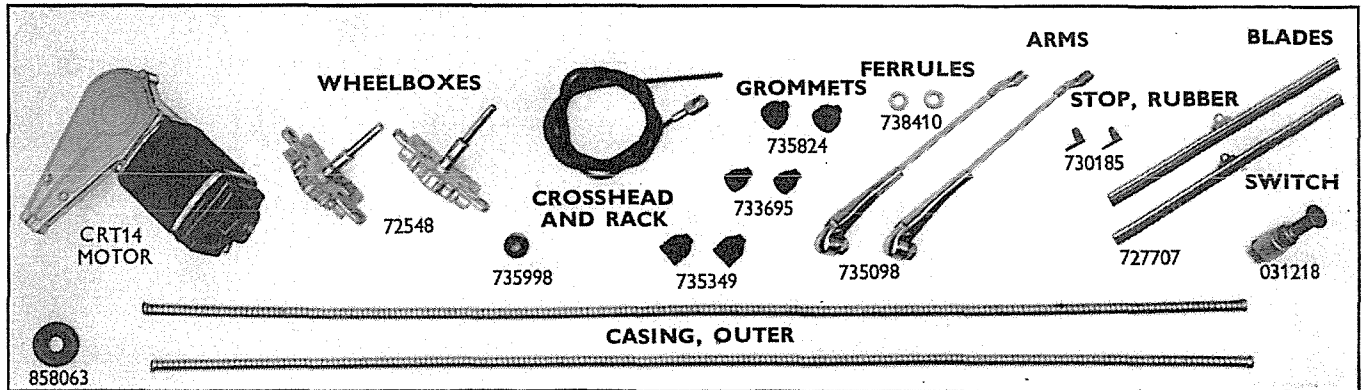
1 Motor .. .. .	75144	2 Grommets .. .. .	733695
1 Wheelbox, with switch .. .. .	72567	1 Grommet .. .. .	735998
1 Wheelbox, less switch .. .. .	72568	2 Grommets .. .. .	735349
1 Crosshead and rack .. .. .	738223	1 Grommet .. .. .	858063
2 Casings, outer .. .. .	739972	2 Arms .. .. .	†735098 (737902)
2 Ferrules .. .. .	738410	2 Blades .. .. .	727707
2 Grommets .. .. .	735824	2 Stops, rubber .. .. .	730185

† When ordering, quote part number shown in brackets

continued



# CONVERSION SETS (Windshield Wiper)



**Part No. 072841 Model CRT14.** 12 volt; 140° angle of wipe; 2-stud motor fixing. Set comprises:

1 Motor .. .. .	75145	2 Grommets .. .. .	735349
2 Wheelboxes .. .. .	†72548 (72662)	1 Grommet .. .. .	735998
1 Crosshead and rack .. .. .	738223	1 Grommet .. .. .	858063
2 Casings, outer * .. .. .	739972	2 Arms .. .. .	†735098 (737902)
2 Ferrules .. .. .	738410	2 Blades .. .. .	727707
2 Grommets .. .. .	735824	2 Stops, rubber .. .. .	730185
2 Grommets .. .. .	733695	1 Switch .. .. .	031218

**Part No. 072896 Model CRT14.** 12 volt; 140° angle of wipe; 2-stud motor fixing; as 072841, but less arm and blade.

**Part No. 072842 Model CRT14.** 6 volt; 140° angle of wipe; 3-stud motor fixing. Set comprises:

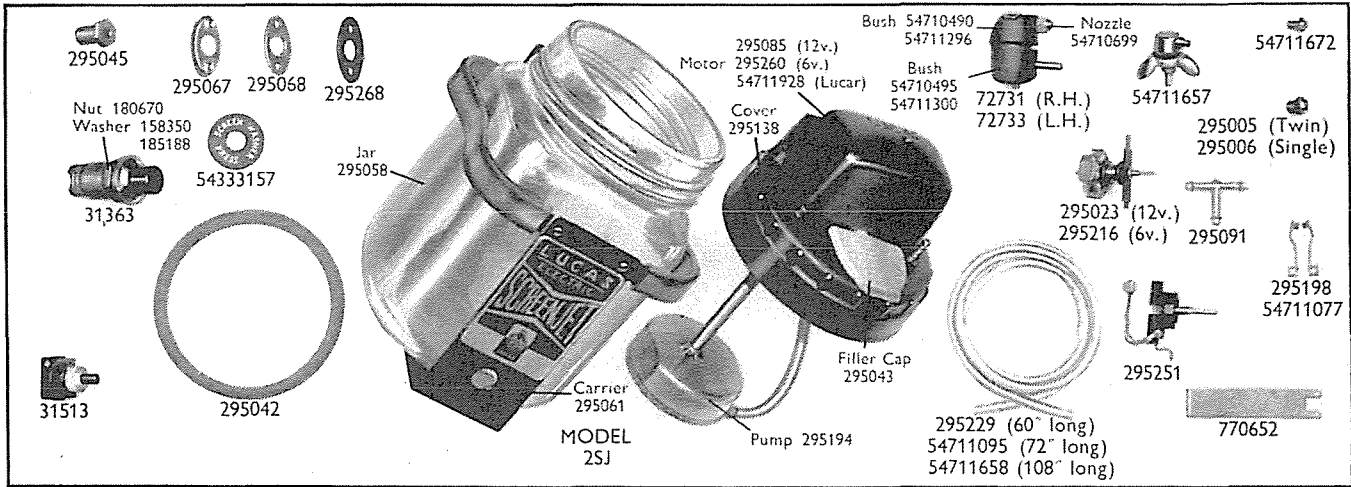
1 Motor .. .. .	75149	2 Grommets .. .. .	735349
2 Wheelboxes .. .. .	†72548 (72662)	1 Grommet .. .. .	735998
1 Crosshead and rack .. .. .	738223	1 Grommet .. .. .	858063
2 Casings, outer .. .. .	739972	2 Arms .. .. .	†735098 (737902)
2 Ferrules .. .. .	738410	2 Blades .. .. .	727707
2 Grommets .. .. .	735824	2 Stops, rubber .. .. .	730185
2 Grommets .. .. .	733695	1 Switch .. .. .	031218

**Part No. 072853 Model CRT14.** 6 volt; 140° angle of wipe; 3-stud motor fixing; as 072842, but less arm and blade.

† When ordering, quote part number shown in brackets



# SCREENJETS (Model 2SJ)



Complete assembly Part No. . . . .	077006	077014	077018	077020	077021	077025
Voltage . . . . .	12	6	12	6	12	12
Nozzle arrangement . . . . .	Twin	Twin	—	Single	Single	—
Comprising:						
Motor, pump, jar and bracket . . . . .	077011	‡077015	077011	‡077015	077011	077011
Accessories, set . . . . .	‡54711656	‡295118	‡295312	‡295330	‡295330	‡54710716

## DETAILED SPARE PARTS

Motor, pump, jar and bracket . . . . .	077011	‡077015	077026
Voltage . . . . .	12	6	12
§ Motor and coupling . . . . .	295085	295260	54711928
Switch contact and adjusting screw . . . . .	295251	295251	295251
§ Brush set . . . . .	54711077	295198	54711077
§ Armature . . . . .	295023	295216	295023
§ Cover, moulding . . . . .	295138	295138	295138
§ Cap, filler, rubber . . . . .	295043	295043	295043
§ Gasket, cover, rubber . . . . .	295042	295042	295042
Union, motor to pump fixing . . . . .	295045	295045	295045
§ Pump . . . . .	295194	295194	295194
Jar, glass . . . . .	295058	295058	295058
Carrier, jar . . . . .	295061	295061	295061
§ Sundry parts, set . . . . .	295196	295196	295196

## NOZZLE ASSEMBLY

Part No. . . . .	72731 (Right hand)	72733 (Left hand)
Nut, fixing . . . . .	166014	166014
Washer, fixing nut . . . . .	131023	131023
Bush, rear . . . . .	54710485	54711300
Bush, front . . . . .	54710490	54711296
Nozzle . . . . .	54710699	54710699
Stud, fixing . . . . .	54710493	54710493

Accessories, sets . . . . .	‡295118	‡295230 ‡295330	‡295270	‡295312	‡54710716	‡54711656	‡54711671	‡54711945
	Twin jet	Single jet	Twin jet	Less jets	Less jets	Twin jet	Single jet	Single jet
§ Nozzle assembly . . . . .	295110	‡295112	295110	‡	‡	295110	—	—
Nozzle . . . . .	295005	295006	295005	—	—	295005	54711657	54711672
Plate, clamp, upper . . . . .	295067	295067	295067	—	—	295067	—	—
Plate, clamp, lower . . . . .	295068	295068	295068	—	—	295068	—	—
Gasket, rubber, clamp plate . . . . .	295268	295268	295268	—	—	295268	—	—
Washer, rubber, nozzle . . . . .	295098	295098	295098	—	—	295098	—	—
Spanner . . . . .	770652	770652	770652	—	—	770652	—	—
Screw, fixing . . . . .	186147	186147	186147	—	—	186147	—	—
§ Switch . . . . .	31513	31513	—	31513	31363	31513	—	31513
Nut, fixing . . . . .	—	—	—	—	180670	—	—	—
Washer, fixing nut . . . . .	—	—	—	—	158350	—	—	—
Washer, spring . . . . .	—	—	—	—	185188	—	—	—
§ Screw, terminal . . . . .	—	—	—	—	120584	—	—	—
Tee-piece . . . . .	—	295091	—	295091	295091	—	295091	295091
Tubing . . . . .	295229	295229	295229	54711095	295229	54711095	54711658	295229
Screw, jar bracket . . . . .	198865	198865	198865	—	198865	198865	—	—
Escutcheon plate . . . . .	—	—	—	—	—	—	—	54333157

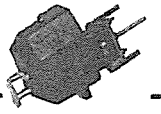
‡ For reference only; parts to be ordered individually as required.

§ Recommended spares for stock

‡ This assembly may be supplied to convert a twin (two-nozzle) jet to two single (one-nozzle) jets.

¶ On Humber cars the nozzles are fitted to the wheelboxes. The 1959-60 model has special nozzles, details of which are given above.

# WINDSHIELD WIPERS (Motors)



## VEHICLE APPLICATION REFERENCE

- 75051 CW1. 12v.**  
A.F.N. 'Le Mans' 1951-54.  
Lea Francis 1½ litre Sports 1949.  
M.G. 1½ litre Tourer 1949-51; 'Midget' 1946-53.
- 75065 SW4. 6v.**  
Austin 8 1946-47.  
Morris 8 1946-48.  
Standard 8 1946-48.  
Wolseley 8 1946-48.
- 75066 SW4. 12v.**  
Austin 10 Van and 12 1946-47; 16 1946-48.  
Citroen 15 1946-48.  
Hillman 'Minx' All Models 1946-47.  
Daimler 2½ litre 1946-53.  
Humber 'Hawk' 1946-48; 'Imperial', 'Pullman' and 'Snipe' 1946; 'Super Snipe' 1946-47.  
Jaguar 1½ litre 1946-48.  
Lanchester LD10 1946-51.  
Lea Francis 14 1946-50.  
Morgan 'Plus Four' 1946-50; 'Four Four' Coupé (Standard engine) 1949-50.  
Morris 10 1946-48.
- 75073 CW1. 6v.**  
Jowett De Luxe Van and 6 Light Utility 1949-50; 'Bradford' Van 1946-50.  
Renault 12 Car 1946-51.
- 75081 CWH. 6v.**  
Austin 8 Van 1946-47.
- 75089 CW1. 12v.**  
Morris Commercial CV Ambulance 1949-51.
- 75091 CW1. 12v.**  
Dodge Petrol Models (special orders) 1949-58; Diesel (P4 and P6, 12 volt) 1951-58.
- 75096 CW1. 12v.**  
Rover 'Landrover' 1948-53.
- 75097 CW1. 12v.**  
Austin 10 cwt. 101 Van 1958-60.  
Morris Commercial 10 cwt. 'J' Van 1949-57; 'JB' Van 1958-60.
- 75113 FW2. 12v.**  
Austin 3, 4 and 5 ton Normal Control 1960; Coach Series III Normal Control 1957-60.  
Morris Commercial 3 ton 3KNC (G.P.O.) 1956-59.  
Rover 'Landrover' 1957-60.
- 75122 CW1. 12v.**  
Reliant 'Regent' 1951-56.
- 75128 CW1. 12v.**  
Jowett 10 cwt. 'Bradford' Van 1951-52.
- 75129. CW1. 12v.**  
Commer 15/25 cwt. 1946-48; 25 cwt. 'Superpoise' Van 1949-56; Medium Pick-up Truck Mk. IV 1951-54; 2 and 3 ton 1946-47; 2/3 and 3/4 ton 1949-54; 4/5 ton 1949-51; 5 ton 'Superpoise' 1952-54; 'Commando' (Petrol) 1950-53; 2/5 ton (Petrol) and 3/5 ton (Diesel) 'Superpoise' 1955; 3 ton four-wheel drive Cross Country Vehicle (Export only) 1956; 3 and 4 ton Trucks, Pan-technicon, Tipper and 'Commando' 1947-49; 5 ton 'Superpoise' (Diesel) 1952-54; 5 ton 1947; 8 ton Tractor 1950.  
Jowett De Luxe Van and 6 Light Utility 1951-52.  
Smiths Delivery Vehicles 2 ton (Diesel) 1953-55.
- 75130 CW1. 12v.**  
Austin 2 and 3 ton 1946-48; 2 and 5 ton Trucks 1949-55; 3 ton Series II 1955; Coach 1947-55; 2/5 ton Petrol Tanker 1946-55; 3/4 and 3/5 ton Petrol Tankers Series III 1957-60.
- 75138 CW1. 12v.**  
Morris Commercial 25/30 cwt. LC 1951-52.
- 75143 CRT14. 12v.**  
A.F.N. 'Mille Miglia' 1951.  
Bristol '401' 1950-53; '403' 1954.  
Healey 'Silverstone' 1950.  
Jaguar XK120 1950-54.  
Morris 'Cowley' Van and Pick-up Truck 1950-53; 'Oxford', 'Traveller' and 'Six' Saloon 1948-54; Quarter Ton Van (G.P.O.) 1954-59; Half Ton Van and Pick-up Truck 1954-56.  
Wolseley 'Four Fifty' 1949-53; 'Six Eighty' 1949-54.
- 75144 CRT12. 12v.**  
A.C. Cars 'Ace' and 'Aecca' 1955-56.  
Austin-Healey '100' and '100M' 1955.  
Commer 25 cwt. Forward Control Van 1954-56; 1½/1¼ ton Forward Control Mk. IV 1956-60; 1 ton Forward Control 1959-60; 5 and 7 ton Forward Control (Petrol and Rootes TS3 Diesel) 1955-58; 'Avenger' Coach (Petrol, 12 volt) 1952-54; Fire Tender and Pump Chassis 1952-58.  
Daimler 27 1946-53; 36 1950-52.  
Jaguar XK-SS Open 2-seater (U.S.A. only) 1946-47.  
Jensen 4 litre 'Interceptor' 1950.  
Karrier 'Bantam' 1953-60; 'Gamecock' 1953-58; 1½/1¼ ton Passenger Chassis 1957-60.  
M.G. 1½ litre Saloon 1947-51; 1½ litre Tourer 1952-53; 'Midget' 1954-55.  
Morgan 'Plus Four' 1951-54.  
Morris 'Oxford' Taxi and Hire Car 1947-51.  
Standard 'Vanguard' 1948-51.
- 75145 CR14. 12v.**  
Austin A40 1948-56; A70 1948-50; A90 1952; 'Metropolitan' 1957-60; LD1A, LD2A, LDO1A and LDO2A 1956-60; LCFO 1958; 301FC 1959.  
Healey 'Sportsmobile' 1949.  
Morris Commercial LD1 and LD2 1954; LDO 1956; LDO1 and LDO2 1957-60; LCFO 1958-60.  
Nash 'Metropolitan' Series I-IV 1954-60.  
Singer 'SM1500' 1949-54; 'Hunter' 1955-56; 'Hunter S' 1956.  
Triumph 'Mayflower' 1950-53.
- 75146 CR14. 12v.**  
Austin LD1A and LD2A 1955; '301' Range (except 301FC) 1957-60.  
Morris Commercial LC4, LC5, LCO and LCO5 1953-60; LD1 and LD2 1955; LC4, LC5 and LCO5X (G.P.O. Models) 1953-55; Engineers Cab 1957-59; NV and NV12/3 1954-55; NVO, NVO12/3 and NVO11/5 1951-55; NVS 1951-54; NVS12/3 and NVS13/5 1955; 10 cwt. 'J' Van (G.P.O.) 1951-57; 'JB' Van 1958-60.  
Standard 'Vanguard' 1952-57.
- 75148 CRT. 12v.**  
Allard 16 Sports 1949; 'J', 'J2' and 'J2X' Models 1952-54; 'J2R' 1956; 'K' and 'L' 1951; 'M' 1949-51; 'P' 1949-50.  
Armstrong Siddeley 'Hurricane' and 'Lancaster' 1948-53; 'Typhoon' 1948-50; Utility 1950-52; 'Whitley' 1950-53; Limousine 1951-52.  
Aston Martin DB2 1951-52.  
Austin A90 'Atlantic' 1949-51.  
Jaguar 2½ and 3½ litre Mk. V 1949.  
Lea Francis 18 4 Light Saloon 1951-52; 14 and 18 6 Light Saloon and 2½ litre Sports 1952-54.
- 75150 CRT14. 12v.**  
Alvis 14 1946-50.  
Austin A35 1957-58; A30 1952-56; A40 (later) 1952-54; A70 1951-55; Austin-Healey '100' and '100M' 1954; Taxi and Hire Car 1948-56.  
Commer 8 cwt. Van 1948-52; Estate Car 1949; 'Express' Delivery Van and Pick-up Truck 1953-54; 5 and 7 ton Van 1949-51; 6½ and 7 ton 1949-50.  
Daimler 36 1946-50.  
Hillman 'Minx' All Models 1948-56.  
Humber 'Hawk' 1949-52.  
Morgan 'Plus Four' 1954-60; 'Four Four' Series II (Ford engine) 1956-60.  
Standard 'Eight' and 'Ten' Saloons 1954-56.  
Swallow Coachbuilding 'Doretta' 1954-55.  
Triumph 2-seater Sports 1954; TR2 1955-56.
- 75151 CRT14. 12v.**  
Austin A125 1950-54; Ambulance and Hearse 1951-53.  
Bristol '401' 1949.  
Jaguar 3½ litre Mk. V 1951-52; XK120 1949.  
Jowett 'Jupiter' Sports 1952-54.  
Meynell (see also Paramount) 'Cub' Mk. I, 'Vixen' and 'Flying Fox' 1952.  
Morris 'Minor' 1948-56; Quarter Ton Van and Pick-up Truck 1954-56.  
Paramount Cars (see also Meynell) Roadster and Coupé 1951-54.
- 75152 CRT14. 12v.**  
A.C. Cars 16 1948-51.  
Allard 16 1947-48; 'J', 'J2', 'J2X' and 'P' Models 1951; 'K3' 1954-55; '21C' and '21Z' 1953-55.  
Alvis TA21 1951-52; TC21 and TC21/100 1954-55.  
Armstrong Siddeley 'Hurricane' and 'Lancaster' 1946-47.  
Austin A125 1948-49; A135 1948-50.  
Citroen 15 and 23 1949-55.  
Daimler 3 litre 'Regency' 1953; DC27 Ambulance 1949-54.  
Humber 'Imperial' and 'Pullman' 1947-54; 'Super Snipe' 1948-52.  
Jaguar 2½ litre 1950-51; 3½ litre Mk. V 1949.  
Jensen 4 litre 'Interceptor' 1951-55.  
Jowett 'Javelin' and 'Javelin' De Luxe 1948-54.  
Lanchester 14 1952-53.  
Rover '60' and '75' 1948-49.  
Sunbeam 'Alpine' 1953-54.  
Sunbeam-Talbot '80' 1948-50; '90' 1948-54.
- 75153 CRT14. 12v.**  
A.C. Cars 16 1951-57.  
Alvis 3 litre TB21 Sports 1952.  
Bentley 4½ litre Mk. IV 1946-51.  
Daimler 2½ litre Models 1950-53.  
Jowett 'Jupiter' Sports 1951.  
Nash-Healey Sports 1951-54.  
Riley 1½ litre 1950-55; 2½ litre 1950-53.  
Rolls-Royce 'Silver Wraith' 1946-55; 'Silver Dawn' 1953-55.
- 75158 CRT14. 12v.**  
Allard 'J', 'J2' and 'J2X' Models (later) 1953; 'P2' 1952-54.  
A.F.N. 'Mille Miglia' 1952-54.  
Austin A135 1951-53.  
Frazer Nash 'Mille Miglia', 'Targa Florio' and 'Sebring' Hard Top 1955.  
Healey 'Abbott' Drophead and 'Tickford' 1951-54.  
Lea Francis 14, 2½ litre Sports and 18 4 Light Saloon 1952-54; 2½ litre Sports 1953-54.  
Rover '75' 1950-51; Station Wagon 1948-51.
- 75161 CRT14. 12v.**  
Aston Martin 2 litre 1947-50; DB2 1953.  
Healey 16 1948-49.  
Lagonda 2½ litre 1949-52.  
Singer 'SM1500' 1949.
- 75165 CW1. 6v.**  
Morris 8 cwt. Van 1952-53.
- 75167 CRT15. 6v.**  
Reliant 'Regal' Car 1953.
- 75168 CW1. 12v.**  
Austin 4 x 4 Cargo Truck (Civilian) 1954-55.
- 75179 CRT. 12v.**  
Bristol '400' 1949-50.  
Jowett 10 cwt. 'Bradford' Van 1953-54.  
Lea Francis 14 6 Light Saloon 1949.  
Smiths Delivery Vehicles Standard Drive Models (Electric) 1953-55; 14, 20 and 30 cwt. (Electric) 1956-57.
- 75193 CW1. 24v.**  
Commer 5 ton 'Superpoise' 1954-55.
- 75197 CW1. 12v.**  
Rover 'Landrover' 1954-56.
- 75198 CW1. 12v.**  
Austin 'Champ' (Civilian) 1954-56.



# WINDSHIELD WIPERS (Motors)

## VEHICLE APPLICATION REFERENCE—continued

### 75202 CW1. 24v.

Dodge (Perkins R6) 1954-56; (Perkins R6, Semi-forward Control) 1957-58;

### 75212 DR2. 12v.

Beardmore Taxi Mk. VII (Ford 'Consul' engine) 1958.

Morris 'Cowley' 1958-59; 'Oxford' and 'Traveller' 1958-60; 'Isis' and Series II 1958; Half Ton Van and Pick-up Truck 1958-60.

### 75213 DR2. 12v.

Alfa Romeo '1900' 1956-58; 'Giulietta' Sports 'Veloce' 1958-59; 'Giulietta' 'Spyder Veloce' 1957-59; T10 Van 1958-60.

Austin-Healey 'Sprite' 1959-60.

Lancia 'Appia' and 'Flamina' Coupés 1959-60.

Morris 'Minor 1000' Series III, 'Traveller', Quarter Ton Van and Pick-up Truck 1957.

### 75229 CRT15. 6v.

Reliant 'Regal' Car 1954.

### 75250 DR1. 12v.

Bentley 'Continental' Sports 1952-54.  
Rolls-Royce 'Silver Wraith' 1956-59.

### 75251 DR2. 12v.

Austin A40 1955-59; A55 'Cambridge' Mk. II 1958-60; A90 and A95 1955-59; A105 1957-59; A105 'Vanden Plas' 1958-59; 3 and 5 ton Trucks and Prime Mover Forward Control 1956; B.M.C. 7 ton Forward Control Trucks 1956.

Morris Commercial 2/3, 4 and 5 ton Series III Trucks 1956-59.

Reliant 'Regent Four' Van (Export only) 1959-60.

### 75289 DR2. 12v.

Commer 3/1½ ton 'Superpoise' Van and Medium Pick-up Truck Mk. V 1956-60; 2/5 ton 'Superpoise' (Petrol), and 3/5 ton 'Superpoise' (Diesel) 1956-60; 6 ton 'Superpoise' 1960; 4, 5, 6 and 7 ton Forward Control and Fire Tender or Pump Chassis 1959-60.

Dodge Petrol Models Normal Control 1957-60; (Perkins R6, 12 volt) 1959-60.

Karrier 'Gamecock' 1959-60.

Smiths Delivery Vehicles Mobile Shop 1956-58.

### 75290 DR2. 24v.

Commer 5 ton 'Superpoise' 1956-60; 6 ton 'Superpoise' (Diesel, 24 volt) 1959-60.

Dodge (Perkins R6, 24 volt) Normal Control 1957-58; (Leyland 0.350 Diesel, 24 volt) 1958-60.

### 75295 DR2. 12v.

Alfa Romeo 'Giulietta Spyder' 1956.

Morris 'Minor 1000' and 'Traveller' 1958-60; 'Cowley' 1955-57; 'Oxford' and 'Traveller' 1954-57; 'Isis' 1956-57; Quarter Ton Van and Pick-up Truck 1958-60; Quarter Ton Van (G.P.O.) 1960; Half Ton Van and Pick-up Truck 1957.

Simca 'Aronde' De Luxe, 'Oceane' and 'Plien Ciel' 1959.

### 75296 DR2. 12v.

Alvis 3 litre TC108G 1956-57.

Austin A135 1957-60; DA1, DH1, DA2, DA3, DH2 and DH3 1959-60; Austin-Healey 'Sprite' 1958; Taxi and Hire Car 1957-58.

Commer 'Express' Delivery Van and Pick-up Truck 1955-60; 'Cob' 1957-60.

Daimler 'Conquest' ('Century') 1954-58.

Fairthorpe Electron (optional) 1958-59; 'Atomota' 1959.

Hillman 'Minx' All Models 1955-57; 'Minx' De Luxe Series II 1958-59; 'Minx Special' Series III 1958-60.

Humber 'Hawk' 1953-57.

Jensen '541' and '541R' 1954-57.

Lanchester 'Sprite' 1955-56.

Layton Sports Cars 'Jomar' (T.V.R.) 1959-60.

M.G. 'Magnet' 1954-59.

Peerless 'Gran Turismo' 1959-60.

Riley 'Pathfinder' 1955-57; 'One-Point-Five' 1958-59.

### 75296—continued

Singer 'Gazelle' Series I-III 1957-59.

Standard 'Eight', 'Ten', 'Companion' Estate Car, 6 cwt. Van and Pick-up Truck 1957-60; 'Vanguard' 1956-60; Estate Car 1957-60; Sportsman 1957-58; 'Pennant' 1958-59; 'Ensign' 1958-60.

Triumph TR3 1957-59.

Wolseley 'Four Forty-Four' 1953-56; 'Six Ninety' 1955-59; 'Fifteen Fifty' 1957-59.

### 75297 DR2. 12v.

Armstrong Siddeley ½ ton Pick-up Truck (Export only) 1957.

Austin-Healey '100' and '100M' 1956; '100 Six' 1957-59; '3000' 1959-60.

Elva 'Courier' (B.M.C. 1,500 c.c. engine) 1959-60.

M.G. MGA and MGA 1600 1959-60.

Riley 'One-Point-Five' 1958-60.

Tornado 'Typhoon' (special Lucas kit) 1959-60.

Wolseley 'Fifteen Hundred' 1958-60.

### 75298 DR2. 12v.

Austin 3, 4 and 5 ton Trucks and Prime Mover Series III 1956-59; B.M.C. 7 ton Forward Control Trucks (Diesel) (later) 1956-58; Coach Series III Forward Control 1957-60.

Morris Commercial 7 ton Truck Series IVFF 1958.

### 75299 CRT15. 12v.

Morris Commercial LC5 and LCO5X (G.P.O.) 1956-59.

### 75300 DR2. 12v.

Austin 152 Range 1957.

Morris Commercial 'J2' Van, Pick-up Truck and 'Minibus' 1957-58.

### 75301 DR2. 12v.

Austin 7 ton B.M.C. Series III Petrol Tanker 1958; 3/4 and 3/5 ton Series III Petrol Tankers 1957-60.

Morris Commercial 2, 3, 4 and 5 ton Series III Tankers 1957-59; 7 ton Series IVFF Tanker 1958-59.

### 75305 DR3. 12v.

Humber New 'Hawk' 1958.

### 75308 DR3. 12v.

Allard 'P2' Model 1955.

Jaguar 3½ litre Mk. VII 1952-58; 3½ litre Mk. VIII (R.H.D.) 1957-59; Mk. IX (R.H.D.) 1959-60; XK150 (L.H.D.) 1958-60.

Jensen 4 litre 'Interceptor' 1955.

### 75309 DR3. 12v.

Armstrong Siddeley 'Sapphire 234' and 'Sapphire 236' 1956-58.

Austin 'Princess' Mk. IV 1957.

Humber 'Super Snipe' (R.H.D.) 1953-57.

Peerless 'Gran Turismo' (special orders) 1960.

Riley 'Pathfinder' (R.H.D.) 1945-55.

Standard 'Vanguard' (special orders) 1958-60.

Sunbeam 'Alpine' Special (L.H.D.) Saloon Mk. III and Coupé 1955-57.

### 75310 DR3. 12v.

Alvis 3 litre TD21 1958-60.

Armstrong Siddeley 'Sapphire' and 'Star Sapphire' (R.H.D.) 1953-60.

Bristol '406' 1958-60.

Daimler 'Regency' and 'Regina' Sportsman 1955; 'One-O-Four' and 4½ litre Limousine 1956-60; 'Majestic' 1959-60.

Humber New 'Hawk' Series I and IA (later) 1958-59; New 'Super Snipe' Series I and II 1959.

Jaguar 2.4 litre (R.H.D.) 1956-60; 3.4 and 3.8 litre (R.H.D.) 1958-60.

Rover '60' 1958-59.

Sunbeam 'Rapier' (L.H.D.) 1956-60.

### 75311 DR3. 12v.

Armstrong Siddeley 'Sapphire' and 'Star Sapphire' (L.H.D.) 1953-60.

Aston Martin DB2 1954; DB2/4 1955-57; DB Mk. IIIA and Mk. IIIB 1958-59.

A.C. Cars 'Ace' and 'Aceca' 1957-60.

Austin 'Princess' Mk. IV 1958-59.

### 75311—continued

Daimler 36 Limousine 1953; 'Empress', 'Regency' and 'Regina' Sportsman 1955; 'One-O-Four' and 4½ litre Limousine 1956-60; 'Majestic' 1959-60.

Jaguar 2.4 litre (L.H.D.) 1956-60; 3.4 and 3.8 litre (L.H.D.) 1958-60.

Jensen '541' and '541R' 1958-60.

Lagonda 3 litre Saloon and Coupé 1954-58.

Lotus 'Elite' 1959-60.

Rover '60' 1954-57; '75' and '90' 1952-53.

Sunbeam 'Rapier' (R.H.D.) 1956-60.

### 75313 DR3. 12v.

Humber 'Super Snipe' (R.H.D.) 1953-57.

Riley 'Pathfinder' (R.H.D.) 1955.

Sunbeam 'Alpine' Special Saloon Mk. III and Coupé (R.H.D.) 1955-57.

### 75315 DR2. 12v.

Austin 'Seven' (850) 1959.

Morris 'Mini-Minor' (850) 1959.

### 75319 DR3. 12v.

Austin A135 1954-56.

Jaguar Mk. VII (L.H.D.) 1957-58; Mk. VIII and Mk. IX (L.H.D.) 1957-60; XK150 (R.H.D.) 1958-60.

### 75324 FW2. 12v.

Smiths Delivery Vehicles 14, 20 and 30 cwt. (Electric) (later) 1957-58.

### 75325 DR3. 12v.

Rover '75', '90' and '105' 1958-59; '80' and '100' 1960.

### 75330 DR2. 12v.

Citroen DS19, ID19 and 'Safari' 1958-60.

### 75331 DR3. 12v.

Bentley 4½ litre Mk. VII 1952-54; 'Continental' and Model 'S' 1955-59.

Rolls-Royce 'Silver Cloud' 1956-59.

### 75332 4W. 12v.

Austin A35 1958-60.

### 75335 DR3. 12v.

Alfa Romeo '2000' Saloon and 'Spyder' 1958-60.

### 75347 DR2. 12v.

Austin 152 Range 1958-60; 'J2' Range 1958-60.

### 75349 DR2. 12v.

Austin B.M.C. Series IVFF Trucks (R.H.D.) 1958-60.

Morris Commercial Series IVFF Trucks (R.H.D.) 1958-60.

### 75353 DL2. 12v.

Austin Series IVFG Forward Control Trucks 1960.  
Morris Commercial 1½, 2, 3 and 4 ton Forward Control Trucks Series IVFG 1960.

### 75356 DR3. 12v.

Rover 3 litre 1959-60.

### 75357 DR3. 12v.

M.G. 'Magnet' Mk. III (R.H.D.) 1960.

Morris 'Oxford' Series V (R.H.D.) 1959-60.

Riley 'Four Sixty-Eight' (R.H.D.) 1959-60.

Wolseley 'Fifteen Sixty' (R.H.D.) 1959-60.

### 75358 DR3. 12v.

M.G. 'Magnet' Mk. III (L.H.D.) 1960.

Morris 'Oxford' Series V (L.H.D.) 1959-60.

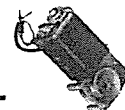
Riley 'Four Sixty-Eight' (L.H.D.) 1959-60.

Wolseley 'Fifteen Sixty' (L.H.D.) 1959-60.

### 75359 DR2. 12v.

Standard 'Atlas' 10/12 cwt. Forward Control 1959-60.

# WINDSHIELD WIPERS (Motors)



## VEHICLE APPLICATION REFERENCE—continued

- 75361 DR3. 12v.  
Humber New 'Hawk' (R.H.D.) and New 'Super Snipe' (R.H.D.) 1959-60.
- 75363 DR2. 12v.  
Austin B.M.C. Series IVFF Trucks (L.H.D.) 1958-60.  
Morris Commercial Series IVFF Trucks (L.H.D.) 1958-60.
- 75365 DR3. 12v.  
Aston Martin DB4 (L.H.D.) 1959-60.  
Austin A99 3 litre 'Princess' 1959-60.  
Wolseley 'Six Ninety-Nine' (R.H.D.) 1959-60.
- 75366 DR3. 12v.  
Aston Martin DB4 (R.H.D.) 1959-60.  
Austin A99 1959-60; B.M.C. 3 litre 'Princess' 1960.  
Wolseley 'Six Ninety-Nine' (L.H.D.) 1959-60.
- 75367 DR2. 12v.  
Austin Taxi and Hire Car 1959-60.
- 75371 DR2. 12v.  
Daimler SP250 Sports 1960.  
Fairthorpe 'Electron' and 'Electron Minor' 1959-60; 'Zeta' 1960.  
Reliant 'Regal' Car and 5 cwt. Van 1960.  
Triumph 'Herald' 1959-60.
- 75374 DR3. 12v.  
Humber New 'Hawk' (L.H.D.) and New 'Super Snipe' (L.H.D.) (later) 1959-60.
- 75377 DR2. 12v.  
Austin B.M.C. 7 ton Series IVFF Tanker 1960.  
Morris Commercial 7 ton Series IVFF Tanker 1960.
- 75379 DR3. 12v.  
Rolls-Royce 'Silver Cloud' II and 'Phantom' V 1960.
- 75385 DR2. 12v.  
Austin 'Seven' (850) 1960.  
Morris 'Mini-minor' (850) 1960.
- 75388 DR3. 12v.  
Commer 'Cob' Series II (R.H.D.) 1960.  
Hillman 'Minx' Special and De Luxe Series IIIA (R.H.D.) 1959-60; 'Husky' Series II 1960.  
Singer 'Gazelle' Series IIIA (R.H.D.) 1959-60.
- 75389 DR3. 12v.  
Commer 'Cob' Series II (L.H.D.) 1960.  
Hillman 'Minx' De Luxe and Special Series IIIA (L.H.D.) 1959-60; 'Husky' Series II (L.H.D.) 1960.  
Singer 'Gazelle' Series IIIA (L.H.D.) 1959-60.
- 75390 DL2. 12v.  
Commer  $\frac{3}{4}$  ton Forward Control Van and Passenger Chassis 1960.
- 75392 DR3. 12v.  
Sunbeam 'Alpine' Sports (R.H.D.) 1959-60.
- 75393 DR3. 12v.  
Sunbeam 'Alpine' Sports (L.H.D.) 1959-60.
- 75398 DR2. 12v.  
Commer  $\frac{3}{4}$  ton 'Superpoise' Van and Medium Pick-up Truck Mk. V (later) 1960; 2/3, 3/5 and 6 ton (later) 1960; 4, 5, 6 and 7 ton Trucks and Fire Tender or Pump (later) 1960.  
Karrier 'Gamecock' (later) 1960.
- 75399 DR2. 24v.  
Commer 5 and 6 ton 'Superpoise' (Diesel) (later) 1960.
- 75400 DR2. 12v.  
Simca 'Aronde', 'Elysee', 'Etoile' and 'Monthery' 1960.
- 073004 FW2. 12v.  
Fairthorpe 'Electron Minor' (optional) 1958-59.  
Trojan 15/20 cwt. Van 1954-60; 25 cwt. Van, Truck and Bus (Diesel) 1959-60.
- 732480 CWX. 12v.  
A.C. Cars 'Petite' 1953-57.  
Allard 16 1947-49; 'K' and 'L' Models 1949-50.  
Austin A40 1948-51; 25 cwt. Van and Ambulance 1948-54.  
Brush Electric Battery Vehicle 1951-55.  
Clecco Electrics Battery Vehicle 1952-54.  
Commer 25 cwt. Forward Control 1946-53.  
Dellow Motors Mk. IIC and Mk. V 1955-57.  
Douglas 15/20/25 cwt. Electric Vehicles 1949; Battery Vehicle 1950-54.  
Hindle Smart Battery Vehicle 1951-54.  
H.R.G. 9 1946-52.  
Jensen 'Jen-Tug' 30 cwt. Tractor 1946-49; (later) 1952-54; Lightweight Commercial Vehicle 1954-55.
- 732480—continued  
Karrier 'Bantam' 1946-52; 'Cob' 1947-48; 3 ton CK 1946-52.  
Midland Vehicles Battery Vehicle 1951-55.  
Morgan 2-seater and 4-seater 'Plus Four' 1946-53; 'Four Four' (Standard engine) 1949-50.  
Morris Commercial 15/20 cwt. (PV) 1946-53; 25/30 cwt. Van 1949-52; CV Ambulance 1949-51; CV Range (Lorries and Tippers) 1946-51; FVO, FVSO and FVSO12/5 1949-55; FV 1949-53; FVS 1954; FVS12/5 1955; Petrol Tanker 1951-52.  
Morrison Battery Vehicle 1951-54; 1 ton D4, 25 cwt. E, 20 cwt. EH, 10 cwt. BM, 20 cwt. D1, 30 cwt. F and FL 1955-60.  
Reliant 'Regal' Car 1959.  
Singer 9 Roadster 1946-51; 1,200 c.c. 4AC and 1,500 c.c. 4AD 1952-55.  
Standard 12 and 14 (Export Holland) 1946-48.  
Sunbeam-Talbot 10 1946-47.  
Trojan 15/20 cwt. Van (Petrol) 1946-55; 15/20 cwt. Van and Truck (Diesel) 1954-55.  
Victor Electric Battery Vehicle 1951-55.  
Wales & Edwards 1 ton Electric Van 1953-55.
- 732481 CWX. 6v.  
A.C. Cars Invalid Carriage 1949-53.  
Barrett, W. & F. All-weather Invalid Car 1953-55.  
Dellow Motors Sports Mk. III 1952-54.  
Invacar Invalid Carriage 1951-55.  
Jensen 'Jen-Tug' 30 cwt. Tractor 1950-52.  
Lambourne, C.F. 'Lamb-Kar' 1952-54.  
Larmar Engineering Invalid Carriage 1948-54.  
Lloyd '650' Roadster 1948-50.  
Douglas 'Handyvan' 1949-50.  
Morris 5 cwt. Van 1946-51.  
Reliant 750 c.c. 4 cylinder 3-wheeler 1946-55; 'Regal' Car and 5 cwt. Van 1955-58; 6 cwt. Van and Truck 1954-55.  
Renault 8.3 Car and Van 1947-51.  
Tipper, Frank, Invalid Carriage 1955-56.  
Wessex Industries Delivery Van 1952-55.
- 733071 CW1. 12v.  
Morris Commercial 25/30 cwt. LC3 1946-52; 25/35 cwt. 1946; 35/40, 45/55 and 60/70 cwt., 5 ton Forward Control Tipper and ECV13/3 1946-48; CV10/5 Tippers 1946-48; ECV13/5 (Petrol) and ECV013/5 (Diesel) 1949.
- 733179 CW1. 12v.  
Morris 10 cwt. Van 1946-50.

